

THIS DRAWING IS UNPUBLISHED. RELEASED FOR PUBLICATION
 © COPYRIGHT BY TYCO ELECTRONICS CORPORATION. ALL RIGHTS RESERVED.

LOC	DIST	REVISIONS					
FT	0	P	LTR	DESCRIPTION	DATE	DWN	APVD
			01	REVISED PER ECO-06-26065	11/9/06	SS	CR

NOTES:

MATERIAL:

HOUSING: POLYAMIDE 6, UL94V-2,
 COLOR OFF WHITE.

CONTACT: BRASS, TIN PLATED.

WIRE PROTECTOR: STAINLESS STEEL.

SCREW: M5, STEEL, ZINC CHROMATE.

ELECTRICAL:

MAX CURRENT: 65A (UR) 70A (CSA)

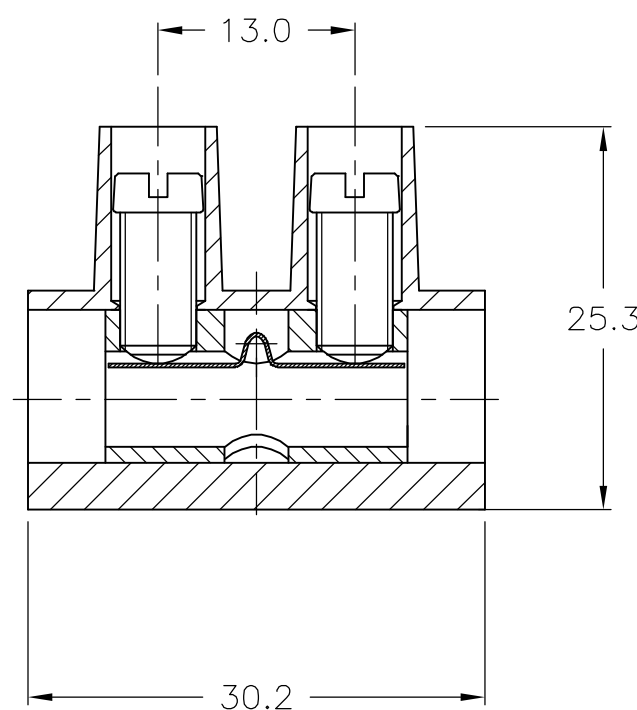
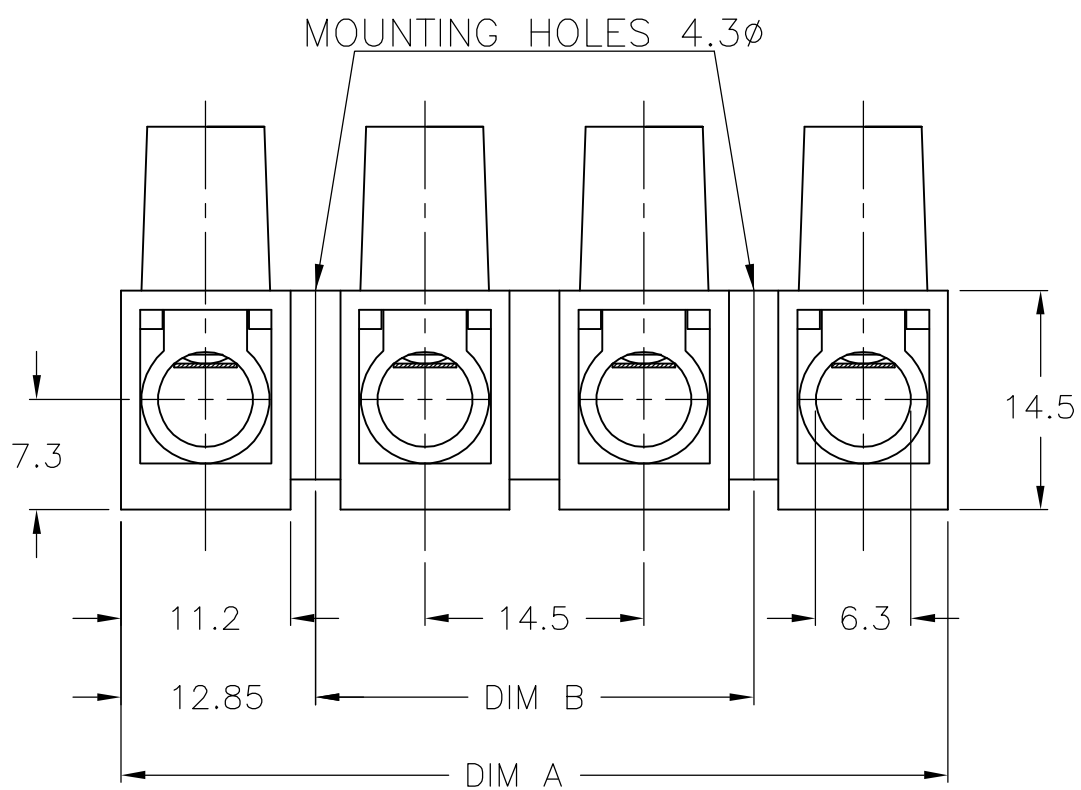
OPERATING VOLTAGE: 300V.

WIRE RANGE: 6-14 AWG (UR) 6-22 AWG (CSA)

DIELECTRIC WITHSTAND: 6000V.

ENVIRONMENTAL:

CONTINUOUS WORKING TEMP.: -35°C TO 100°C.



145	170.7	12	TSB200012DS	8-1437387-1
130.5	156.2	11	TSB200011DS	-
116	141.7	10	TSB200010DS	7-1437387-8
101.5	127.2	9	TSB200009DS	7-1437387-7
87	112.7	8	TSB200008DS	7-1437387-6
72.5	98.2	7	TSB200007DS	-
58	83.7	6	TSB200006DS	7-1437387-5
43.5	69.2	5	TSB200005DS	7-1437387-3
29	54.7	4	TSB200004DS	7-1437387-2
14.5	40.2	3	TSB200003DS	7-1437387-0
-	25.7	2	TSB200002DS	6-1437387-8
-	11.2	1	TSB200001DS	6-1437387-7
DIM B	DIM A	NO OF POS	CATALOG NUMBER	PART NUMBER

THIS DRAWING IS A CONTROLLED DOCUMENT.		DWN	2/9/04		<p>Tyco Electronics Corporation Harrisburg, Pa 17105-3608</p>	
DIMENSIONS: mm		CHK	2/9/04			
TOLERANCES UNLESS OTHERWISE SPECIFIED:		APVD	2/9/04			
0 PLC ± - 1 PLC ± - 2 PLC ± - 3 PLC ± - 4 PLC ± - ANGLES ± -		NAME	C RICHARD			
MATERIAL		PRODUCT SPEC	14.5MM PITCH WITH WIRE PROTECTOR			
FINISH		APPLICATION SPEC	SIZE	CAGE CODE	DRAWING NO	RESTRICTED TO
-		WEIGHT	A3	00779	C-6-1437387-7	-
CUSTOMER DRAWING			SCALE	SHEET	OF	REV
			2:1	1	1	01