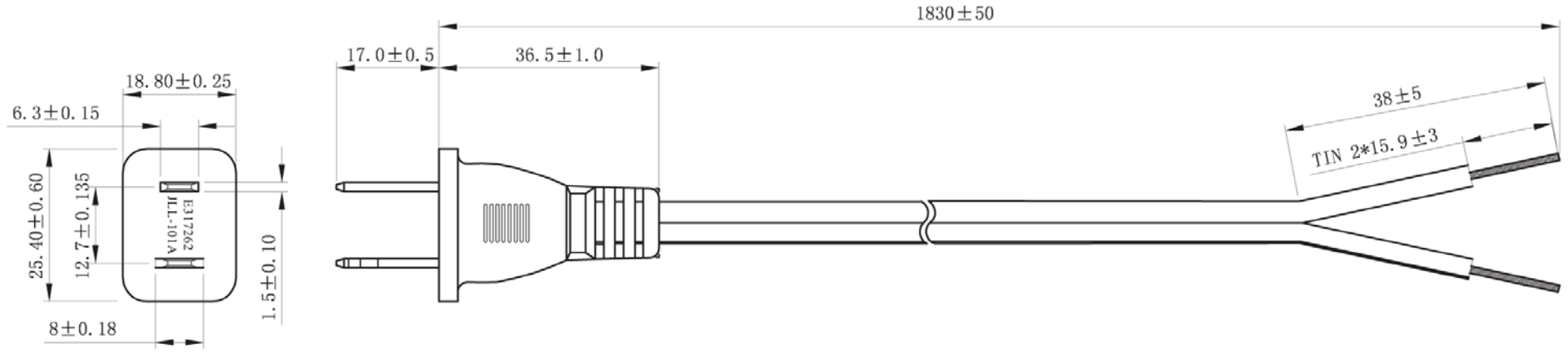


A

A



B

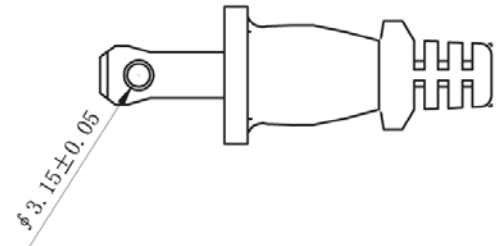
B

C

C

D

D

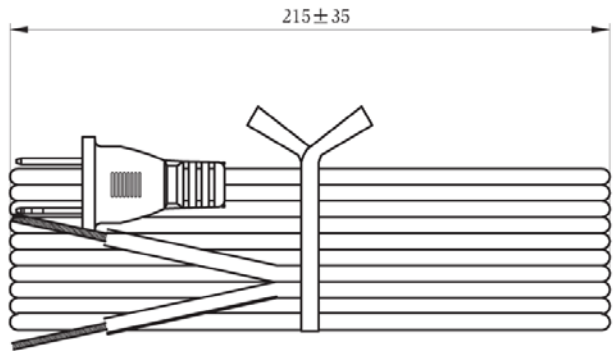


CONDUCTOR CONSTRUCTION (N/mm):  
41/0.16AS

PVC JACKET AVERAGE THICKNESS: 0.76mm  
OD: 3.60 ± 0.15 \* 7.00 ± 0.2mm

E

E



**Material:**

- E243711(UL) SPT-2 2 x 18AWG(0.824MM<sup>2</sup>) VW-1 60°C 300V - CSA 228191
- Jacket Color: Black

**Electrical:**

- 100% Open & Short Testing
- Insulation Resistance: 100MΩ (Min.)
- Voltage: 500V DC / 1 Min.

Unit: MM

G

G

Scale	1:1						Name	Item No.
TOLERANCE						Drawn	11.27.11	<b>AK500-OE-13-6F</b>
X.X	±0.40					Approved		
X.XX	±0.25							
X.XXX	±0.15							
Angle	±3°							
								Title
								Power Cord - SPT-1/Open End, Polarized, Unshielded, 60°C, 6 Feet
								Drawing No.
								<b>rev00</b>
								Replace
								Sheet
			Modification	Date	Name			



H