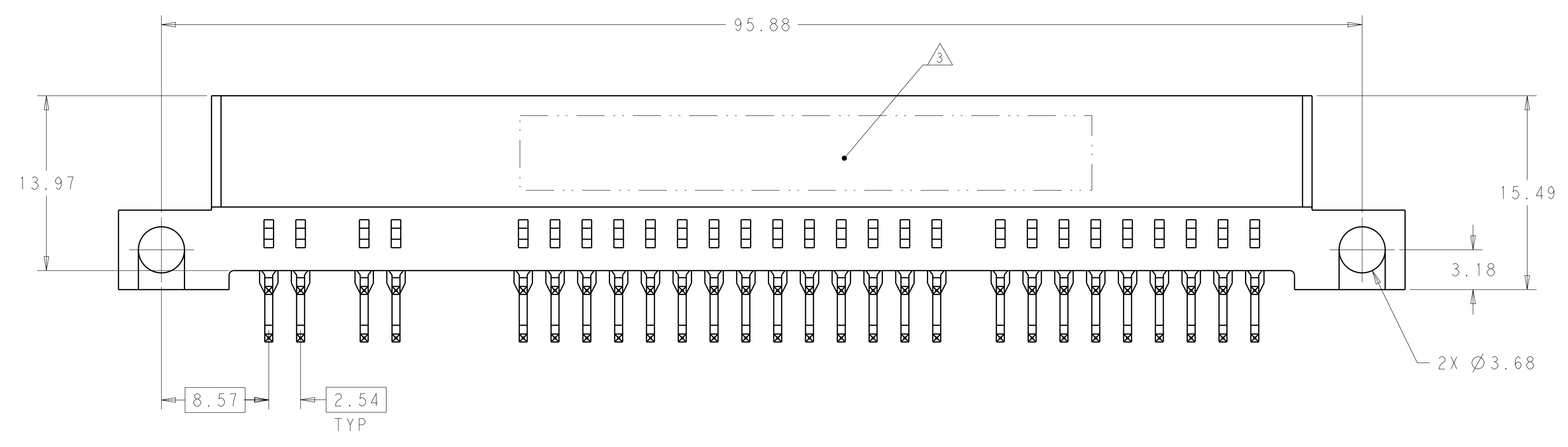
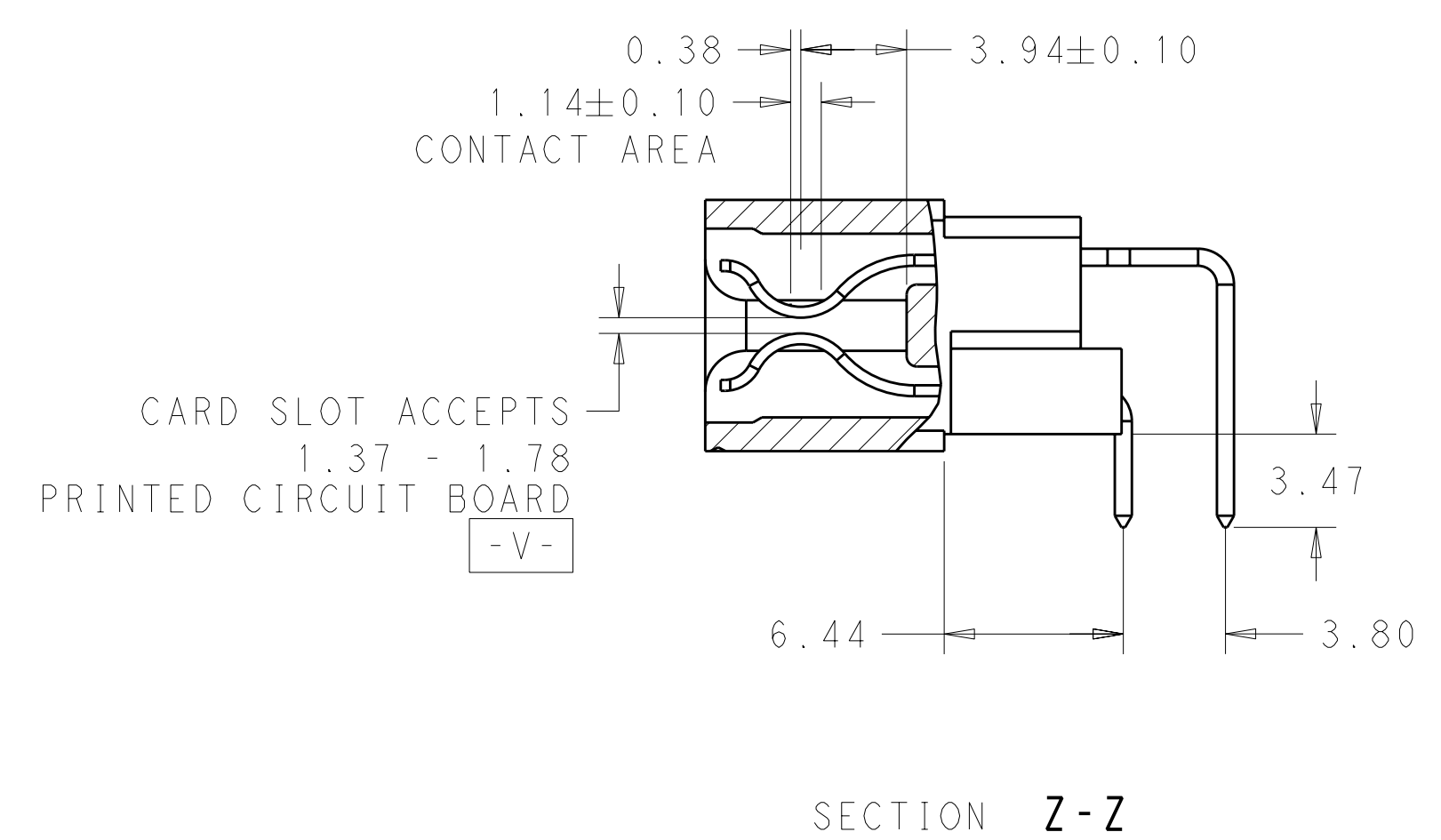
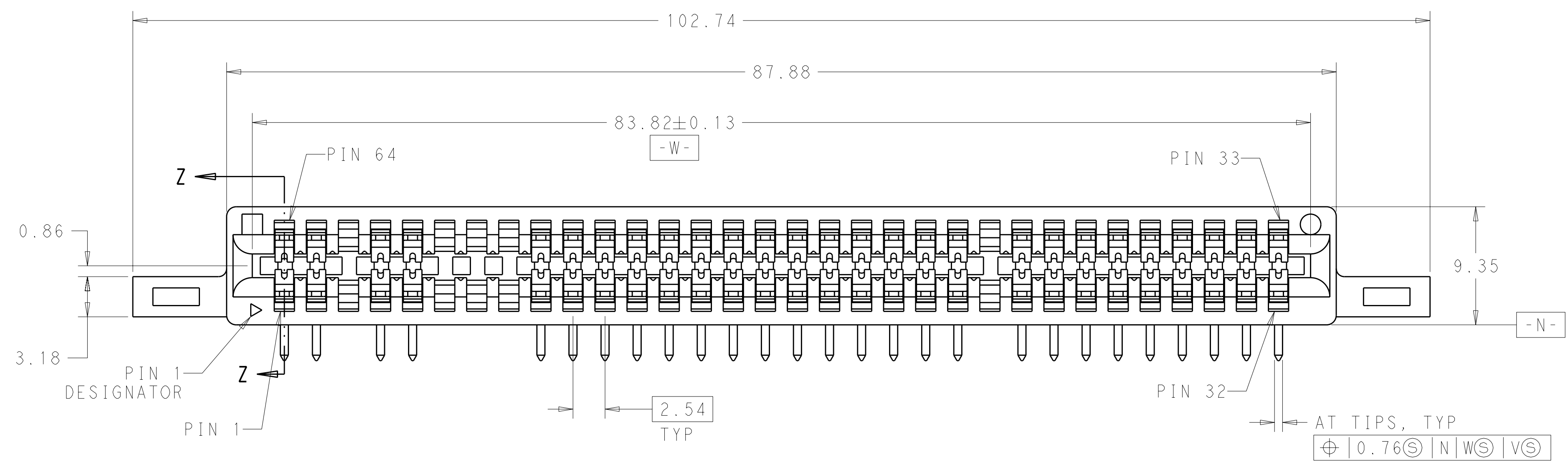


LOC	DIST	REV	DATE	BY	CHKD	APVD
GP	00	A	03JAN2011	RG	MS	

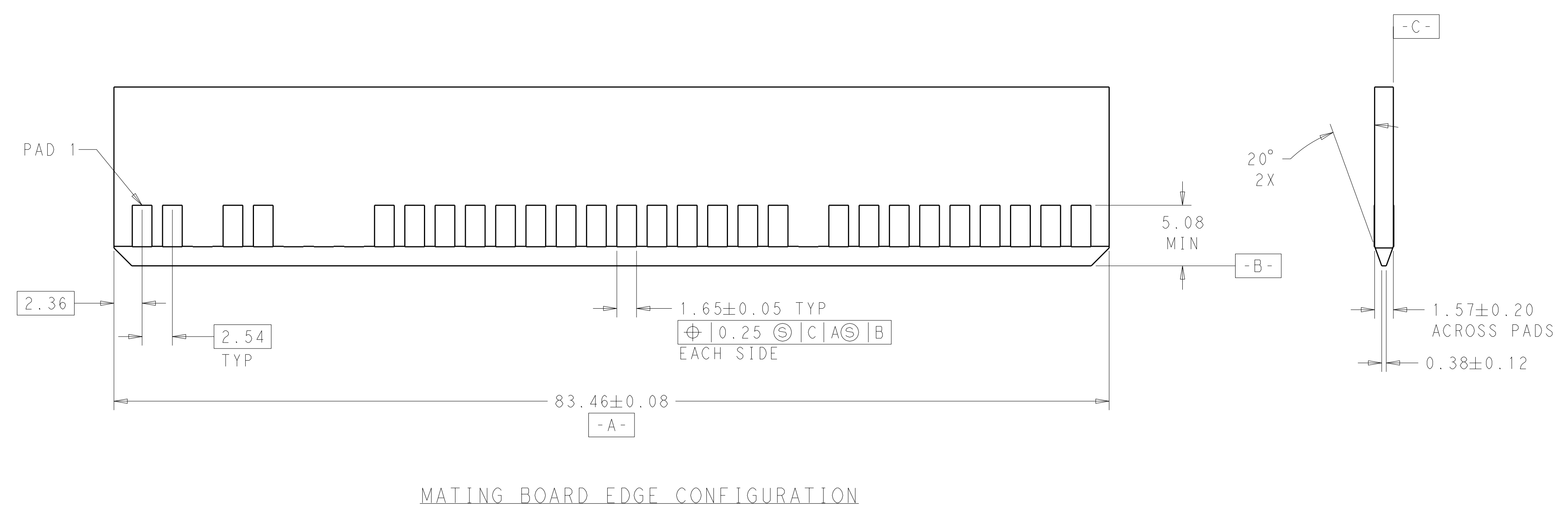
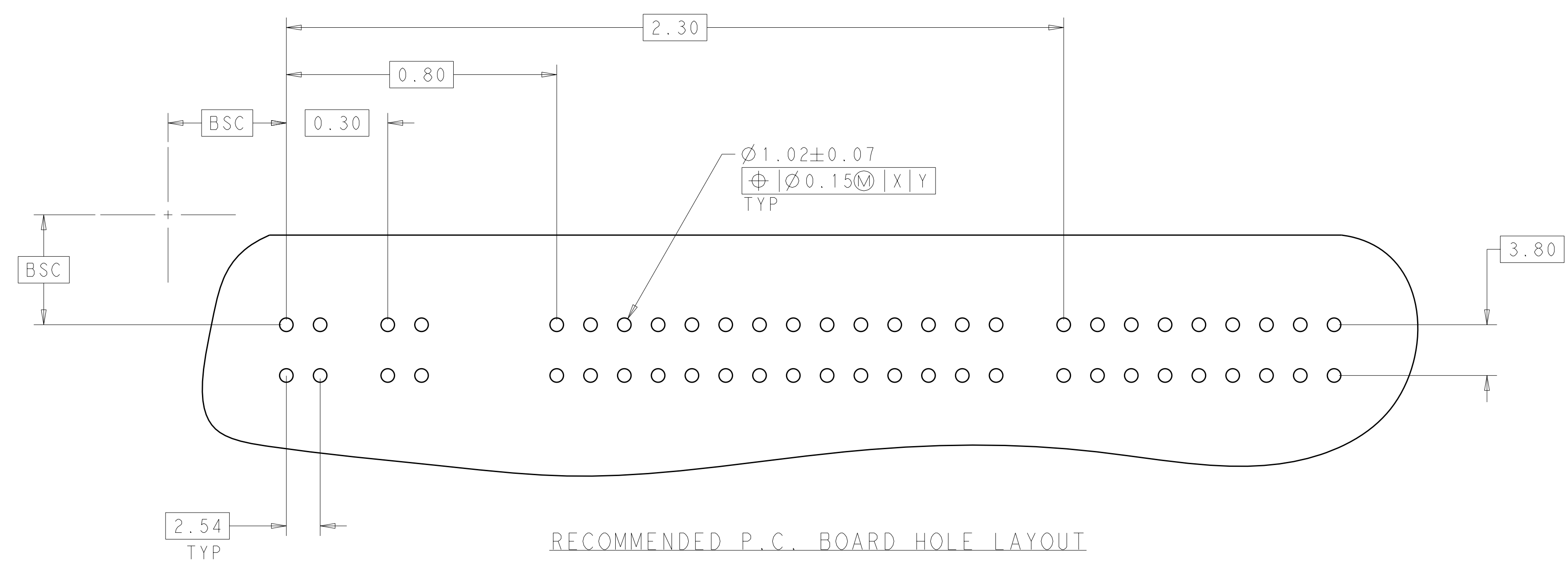


- 1 MATERIAL: INSULATORS - THERMOPLASTIC, GLASS REINFORCED, COLOR: BLACK, UL94V-0 FLAMMABILITY RATED. CONTACTS - HIGH CONDUCTIVITY COPPER,
- 2 FINISH: CONTACTS - GOLD PLATE 0.38µm MIN. THK., OVER NICKEL 1.27µm MIN. THK. SOLDER TAILS - MATTE TIN 2.54µm MIN. THK. OVER NICKEL 1.27µm MIN THK.
- 3 ITEMS PROVIDED TO THIS SPECIFICATION TO BE PERMANENTLY IDENTIFIED PER THE FOLLOWING IDENTIFIER LABEL
 YEAR WEEK
 TYCO ELECTRONICS P/N DATE CODE (e.g. 0106)
 XXXXXXX-X XXXX
- 4 NO BURRS AND/OR SHARP EDGES ARE PERMISSABLE

3, 6, 7, 8, 23, 42, 57, 58, 59, 62	32	2169269-1
OMIT PINS	NO OF POSN	PART NUMBER

DIMENSIONS: mm TOLERANCES UNLESS OTHERWISE SPECIFIED: 9 PLC ±.5 1 PLC ±0.5 3 PLC ±0.25 5 PLC ±.25 4 PLC ±.25 ANGLES ±.2		DWN R. GRZYBOWSKI 13OCT2010 CHK M. SYKES 13OCT2010 APVD M. SYKES 13OCT2010 PRODUCT SPEC 108-2202 APPLICATION SPEC 114-13018 WEIGHT - CUSTOMER DRAWING	Tyco Electronics Corporation Harrisburg, PA 17105-3608 NAME: CONNECTOR ASSEMBLY, RIGHT ANGLE STANDARD EDGE II HIGH CURRENT, DUAL POSITION SIZE: CAGE CODE DRAWING NO. RESTRICTED TO A100779C=2169269 SCALE: 4:1 SHEET 1 OF 2 REV A
--	--	---	--

LOC		DIST		REVISIONS			
GP	00	P	LTB	DESCRIPTION	DATE	DWN	APVD
				SEE SHEET 1			



<small>THE DIMENSIONS ON THIS DRAWING ARE UNLESS OTHERWISE SPECIFIED IN MILLIMETERS. THIS IS SUBJECT TO CHANGE WITHOUT NOTICE AND WITHOUT LIABILITY TO THE CUSTOMER. THE CUSTOMER SHALL BE CONTACTED FOR THE LATEST REVISION.</small>		DWN: R. GRZYBOWSKI 13OCT2010 CHK: M. SYKES 13OCT2010 APVD: M. SYKES 13OCT2010	Tyco Electronics Tyco Electronics Corporation Harrisburg, PA 17105-3608
DIMENSIONS: mm 	TOLERANCES UNLESS OTHERWISE SPECIFIED: 0 PLC ± 1 PLC ±0.5 2 PLC ±0.25 3 PLC ± 4 PLC ± ANGLES ± FINISH #2	PRODUCT SPEC: 108-2202 APPLICATION SPEC: 114-13018 WEIGHT: - CUSTOMER DRAWING	NAME: CONNECTOR ASSEMBLY, RIGHT ANGLE STANDARD EDGE II HIGH CURRENT, DUAL POSITION SIZE: A100779 CAGE CODE: C-2169269 SCALE: 4:1 SHEET: 2 OF 2 REV: A