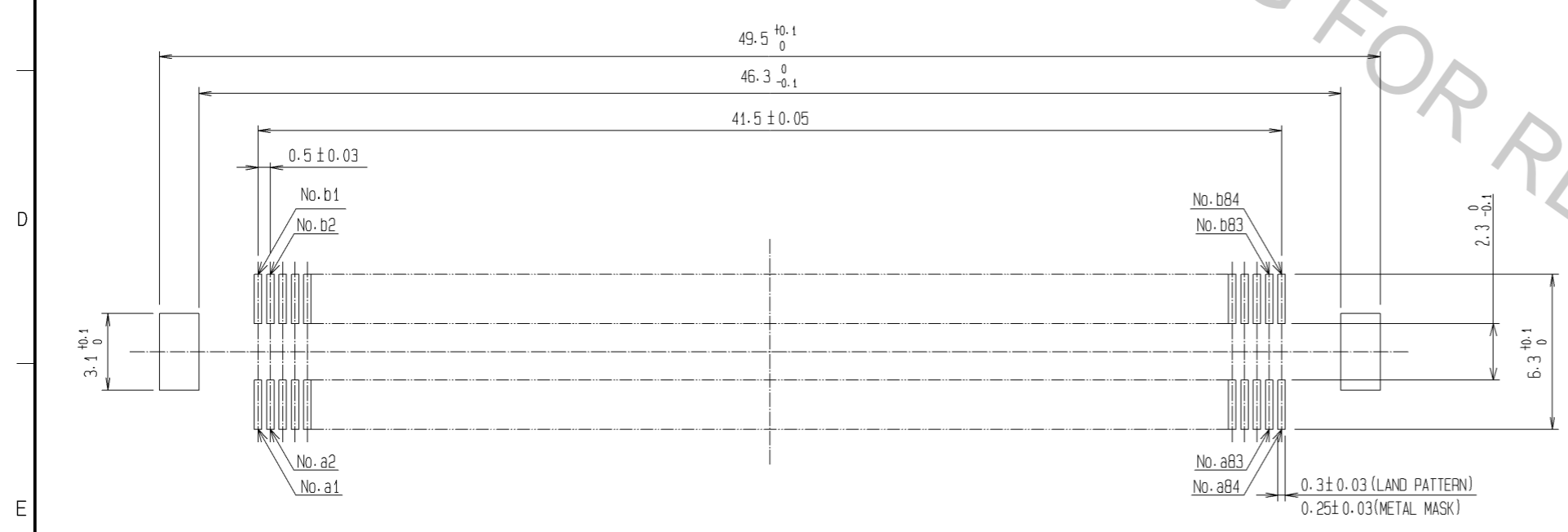


RECOMMENDED LAND PATTERN DIMENSION OF PCB  
(RECOMMENDED METAL MASK THICKNESS:0.15mm)

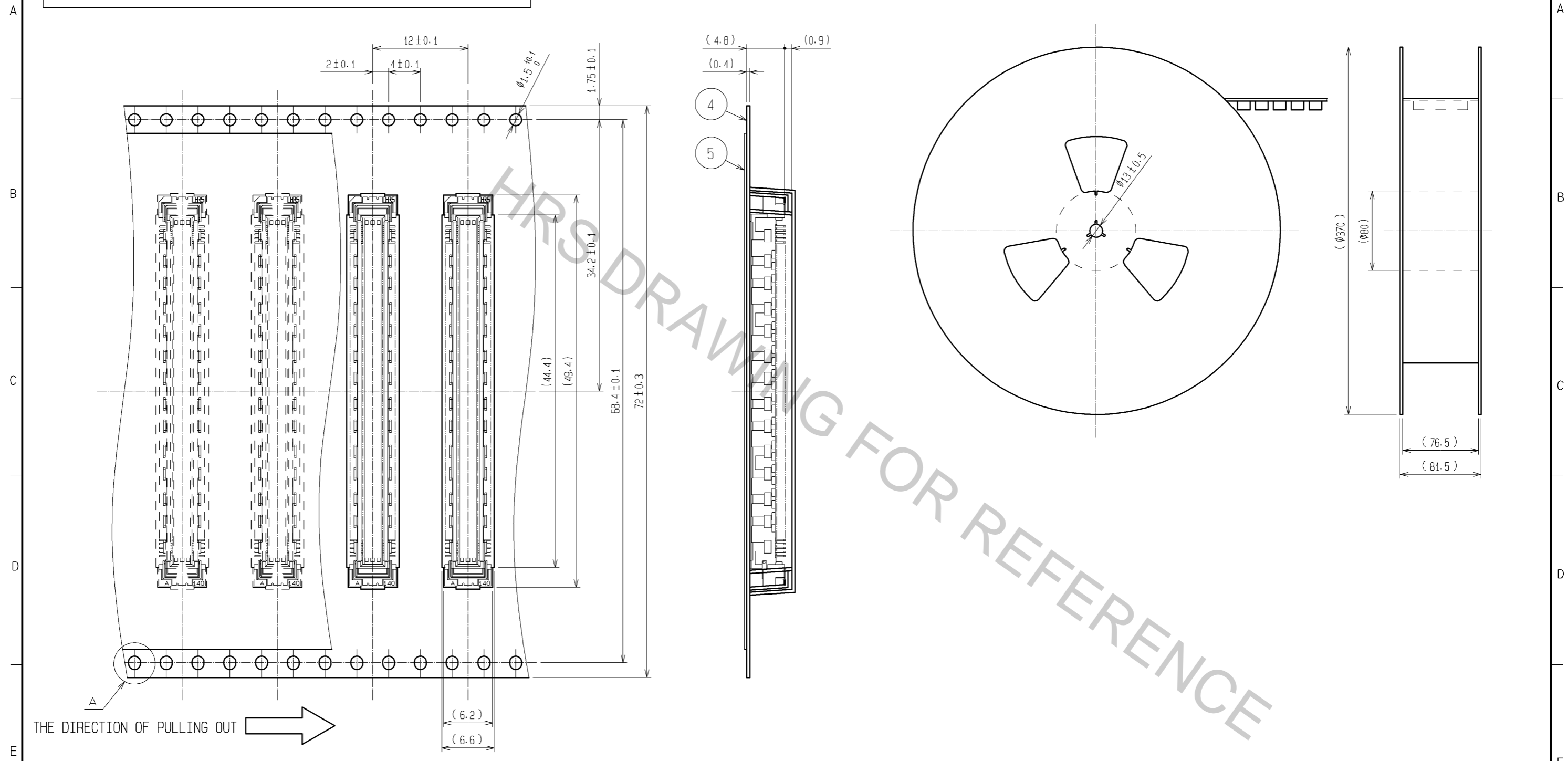


- NOTES
- 1 SMT LEAD-COPLANARITY:0.1 MAX.
  - 2 THIS PRODUCT HAS NO POLARITY TO PATTERN FOR MOUNTING.
  - 3 THE DIMENSIONS IN PARENTHESES ARE FOR REFERENCE.
  - 4 STACKING HEIGHT FROM LEAD TO LEAD(REFERENCE DIMENSIONS)
  - 5 BOARD DISTANCE
  - 6 AREA IS VACUUM PICKUP AREA FOR REFERENCE.

2	PHOSPHOR BRONZE	CONTACT AREA:GOLD 0.76µm min.	5	PET	TOP COVER TAPE			
		LEAD AREA:GOLD 0.03µm min.	4	PS	EMBOSSSED CARRIER TAPE			
		UNDER PLATING:NICKEL 1.3µm min.	3	PHOSPHOR BRONZE	SURFACE AREA:GOLD 0.03µm min. UNDER PLATING:NICKEL 1.3µm min.			
1	LCP	BEIGE UL94V-0						
NO.	MATERIAL	FINISH . REMARKS	NO.	MATERIAL	FINISH . REMARKS			
UNITS mm			SCALE 4 : 1	COUNT	DESCRIPTION OF REVISIONS	DESIGNED	CHECKED	DATE
<b>HRS</b> HIROSE ELECTRIC CO., LTD.		APPROVED : HS. OKAWA 10.11.22	DRAWING NO. EDC3-151975-23					
		CHECKED : HT. YAMAGUCHI 10.11.22	PART NO. FX10B-168P-SV1(83)					
		DESIGNED : AH. EDASHIGE 10.11.19	CODE NO. CL570-0154-6-83					
		DRAWN : AH. EDASHIGE 10.11.19						

DRAWING FOR PACKING(2:1)

REELED DIMENSION(FREE)



- NOTES
- 1 REEL : 1000 CONNECTORS.
  - 2 MINIMUM 10 COMPARTMENTS FROM BOTH REEL ENDS REMAIN EMPTY.
  - 3 THIS PRODUCT HAS NO POLARITY TO TAPE AND REEL PACKAGING.
  - 4 THE DIMENSIONS IN PARENTHESSES ARE FOR REFERENCE.

<b>HRS</b>	DRAWING NO.	EDC3-151975-23
	PART NO.	FX10B-168P-SV1(83)
	CODE NO.	CL570-0154-6-83
		△ 2/2