



# SyncE/SONET/SDH G.8262/Stratum3 & IEEE 1588 Packet G.8261 Synchronizer

Short-Form Data Sheet

June 2012

## Features

- Supports the requirements of ITU-T G.8262 for synchronous Ethernet Equipment slave Clocks (EEC option 1 and 2)
- Supports the requirements of Telcordia GR-1244 Stratum 3 and GR-253, ITU-T G.812 and G.813
- Supports ITU-T G.823, G.824 and G.8261 for 2048 kbit/s and 1544 kbit/s interfaces
- Frequency, Phase and Time Synchronization over IP, MPLS and Ethernet Packet Networks
  - Frequency accuracy performance for WCDMA-FDD, GSM, LTE-FDD and femtocell applications, with target performance less than  $\pm 15$  ppb.
  - Frequency performance for ITU-T G.823 and G.824 synchronization interface, as well as G.8261 PNT EEC, PNT PEC and CES interface specifications.
  - Phase Synchronization performance for WCDMA-TDD, Mobile WiMAX, TD-SCDMA and CDMA2000 applications with target performance less than  $\pm 1 \mu\text{s}$  phase alignment.
  - Time Synchronization for UTC-traceability and GPS replacement.
- Meets the SONET/SDH jitter generation requirements up to OC-48/STM-16

## Ordering Information

|             |               |       |
|-------------|---------------|-------|
| ZL30342GGG  | 64 Pin CABGA  | Trays |
| ZL30342GGG2 | 64 Pin CABGA* | Trays |

\*Pb Free Tin/Silver/Copper

**-40°C to +85°C**

- Synchronizes to telecom reference clocks (2 kHz, N\*8 kHz up to 77.76 MHz, 155.52 MHz) or to Ethernet reference clocks (25 MHz, 50 MHz, 62.5 MHz, 125 MHz)
- Programmable output synthesizer generates telecom clock frequencies from any multiple of 8 kHz up to 100 MHz
- Generates standard SONET/SDH clock rates (e.g., 19.44 MHz, 38.88 MHz, 77.76 MHz, 155.52 MHz, 622.08 MHz) or Ethernet clock rates (e.g., 25 MHz, 50 MHz, 125 MHz, 156.25 MHz, 312.5 MHz) for synchronizing Gigabit Ethernet PHYs
- DPLL that is configurable through a serial interface
- Client reference switching between multiple Servers
- Client holdover when Server packet connectivity is lost

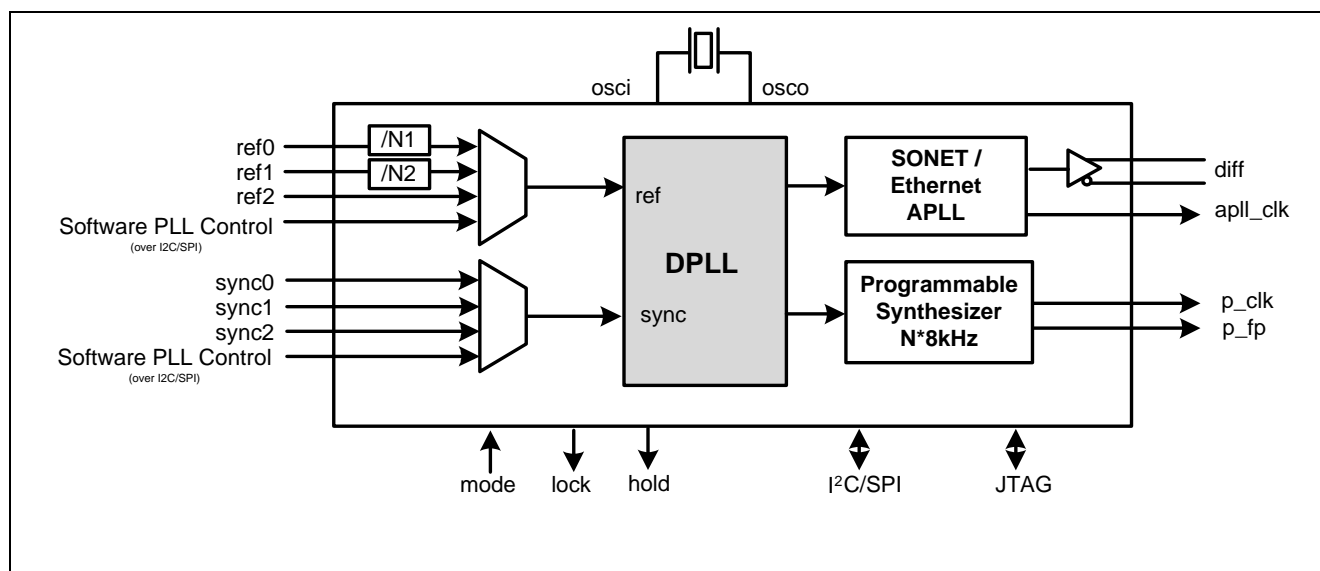


Figure 1 - Functional Block Diagram

## 1.0 Features

### 1.1 Time Synchronization Algorithm

- External algorithm controls software digital PLL to adjust frequency & phase alignment
- Frequency, Phase and Time Synchronization over IP, MPLS and Ethernet Packet Networks
- Frequency accuracy performance for WCDMA-FDD, GSM, LTE-FDD and femtocell applications, with target performance less than  $\pm 15$  ppb.
- Frequency performance for ITU-T G.823 and G.824 synchronization interface, as well as G.8261 PNT EEC, PNT PEC and CES interface specifications.
- Phase Synchronization performance for WCDMA-TDD, Mobile WiMAX, TD-SCDMA and CDMA2000 applications with target performance less than  $\pm 1$   $\mu$ s phase alignment.
- Time Synchronization for UTC-traceability and GPS replacement.
- Client reference switching between multiple Servers
- Client holdover when Server packet connectivity is lost

### 1.2 Electrical Clock Engine

- Supports the requirements of ITU-T G.8262 for synchronous Ethernet Equipment slave Clocks (EEC option 1 and 2)
- Supports the requirements of Telcordia GR-1244 Stratum 3 and GR-253, ITU-T G.813 and ITU-T G.812
- Supports ITU-T G.823, G.824 and G.8261 for 2048 kbit/s and 1544 kbit/s interfaces
- Meets the SONET/SDH jitter generation requirements up to OC-48/STM-16
- Synchronizes to telecom reference clocks (2 kHz, N\*8 kHz up to 77.76 MHz, 155.52 MHz) or to Ethernet reference clocks (25 MHz, 50 MHz, 62.5 MHz, 125 MHz)
- Supports composite clock inputs (64 kHz, 64 kHz + 8 kHz, 64 kHz + 8 kHz + 400 Hz)
- Provides DPLL that is configurable through a serial interface
- Internal state machine automatically controls mode of operation (free-run, locked, holdover)
- Flexible input reference monitoring automatically disqualifies references based on frequency and phase irregularities
- Supports master/slave configuration and dynamic input to output delay compensation for AdvancedTCA™
- Provides automatic reference switching and holdover during loss of reference input

### 1.3 Electrical Clock Generation

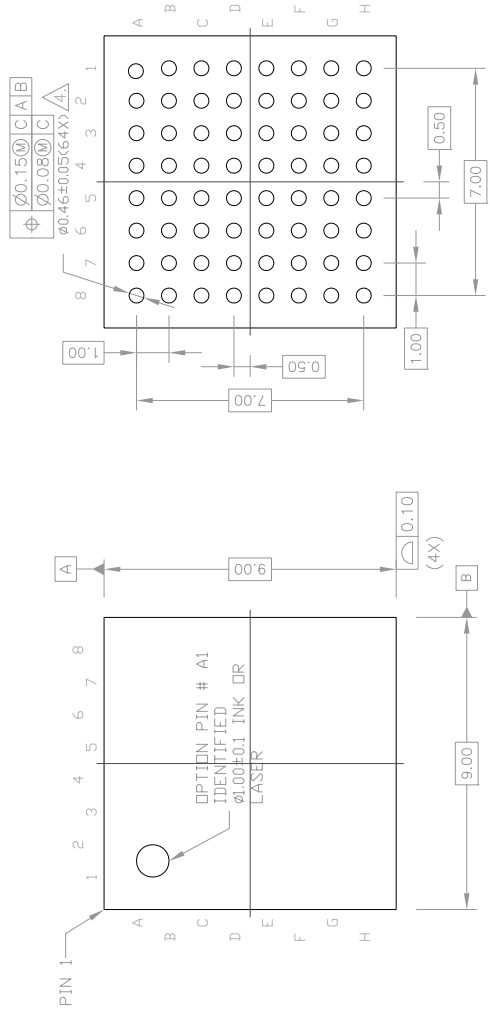
- Generates standard SONET/SDH clock rates (e.g., 19.44 MHz, 38.88 MHz, 77.76 MHz, 155.52 MHz, 622.08 MHz) or Ethernet clock rates (e.g., 25 MHz, 50 MHz, 125 MHz, 156.25 MHz, 312.5 MHz) for synchronizing Gigabit Ethernet PHYs
- Programmable output synthesizers (P0, P1) generate telecom clock frequencies from any multiple of 8 kHz up to 100 MHz
- Generates several styles of telecom frame pulses with selectable pulse width, polarity and frequency
- Configurable input to output delay and output to output phase alignment

## 1.4 API Software

- Interfaces to 1588-capable PHY and switches with integrated timestamping
- Abstraction layer for independence from OS and CPU, from embedded SoC to home-grown
- Fits into centralized, highly integrated pizza box architectures as well as distributed architectures with multiple line cards and timing cards

## 2.0 Applications

- ITU-T G.8262 System Timing Cards which support 1 GbE and 10 GbE interfaces
- Telcordia GR-253 Carrier Grade SONET/SDH Stratum 3 System Timing Cards
- System Timing Cards which supports ITU-T G.781 SETS (SDH Equipment Timing Source)
- Integrated basestation reference clock for air interface for GSM, WCDMA, LTE and WiMAX macro, micro or femtocells
- Mobile Backhaul NID, edge router or access aggregation node
- EPON/GE-PON & GPON OLT
- EPON/GE-PON & GPON ONU/OLT
- DSLAM and RT-DSLAM



| SYMBOL | MILLIMETER |      |      | INCH     |      |      |
|--------|------------|------|------|----------|------|------|
|        | MIN        | NOM  | MAX  | MIN      | NOM  | MAX  |
| A      | 1.52       | 1.62 | 1.72 | .059     | .064 | .069 |
| A1     | 0.31       | 0.36 | 0.41 | .012     | .014 | .016 |
| A2     | 0.51       | 0.56 | 0.61 | .020     | .022 | .024 |
| A3     | 0.65       | 0.70 | 0.75 | .026     | .028 | .029 |
| b      | 0.41       | 0.46 | 0.51 | .016     | .018 | .020 |
| D      | 8.90       | 9.00 | 9.10 | .350     | .354 | .358 |
| D1     | 7.00 BSC   |      |      | .276 BSC |      |      |
| E      | 8.90       | 9.00 | 9.10 | .350     | .354 | .358 |
| E1     | 7.00 BSC   |      |      | .276 BSC |      |      |
| e      | 1.00 BSC   |      |      | .039 BSC |      |      |

NOTES :

1. DIMENSIONING AND TOLERANCING PER ASME Y14.5M-1994.
2. SOLDER BALL POSITION DESIGNATION PER JESD 95-1, SPP-010.
3. THIS DIMENSION INCLUDES STAND-OFF HEIGHT, PACKAGE BODY THICKNESS AND LID HEIGHT, BUT DOES NOT INCLUDE ATTACHED FEATURES, E.G., EXTERNAL HEATSINK OR CHIP CAPACITORS. AN INTEGRAL HEATSLUG IS NOT CONSIDERED AN ATTACHED FEATURE.
4. DIMENSION IS MEASURED AT THE MAXIMUM SOLDER BALL DIAMETER, PARALLEL TO PRIMARY DATUM C.
5. PRIMARY DATUM C AND SEATING PLANE ARE DEFINED BY THE SPHERICAL CROWNS OF THE SOLDER BALLS.
6. ALL DIMENSIONS ARE IN MILLIMETERS.

|                              |  |               |      |
|------------------------------|--|---------------|------|
| Microsemi CMFG               |  | DWG. NO.      | BRF. |
| TITLE                        |  | CDCA# 22-0008 | 5    |
| 64L LPGA PACKAGE OUTLINE     |  | 84-06-128-305 |      |
| BODY SIZE :9 X 9 X1.62MM MAX |  | SUBSET        | SIZE |
| PITCH 1.00MM                 |  | 1 OF 1        | A4   |



**Microsemi**<sup>®</sup>

**Microsemi Corporate Headquarters**  
One Enterprise, Aliso Viejo CA 92656 USA  
Within the USA: +1 (949) 380-6100  
Sales: +1 (949) 380-6136  
Fax: +1 (949) 215-4996

Microsemi Corporation (NASDAQ: MSCC) offers a comprehensive portfolio of semiconductor solutions for: aerospace, defense and security; enterprise and communications; and industrial and alternative energy markets. Products include high-performance, high-reliability analog and RF devices, mixed signal and RF integrated circuits, customizable SoCs, FPGAs, and complete subsystems. Microsemi is headquartered in Aliso Viejo, Calif. Learn more at [www.microsemi.com](http://www.microsemi.com).

---

© 2012 Microsemi Corporation. All rights reserved. Microsemi and the Microsemi logo are trademarks of Microsemi Corporation. All other trademarks and service marks are the property of their respective owners.

---