

10 9 8 7 6 5 4 3 2 1

F

E

D

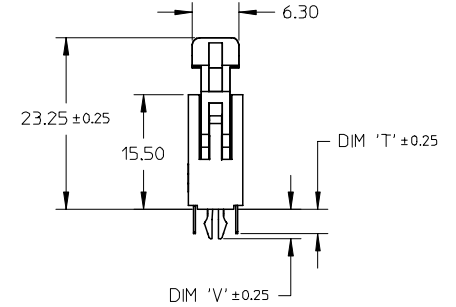
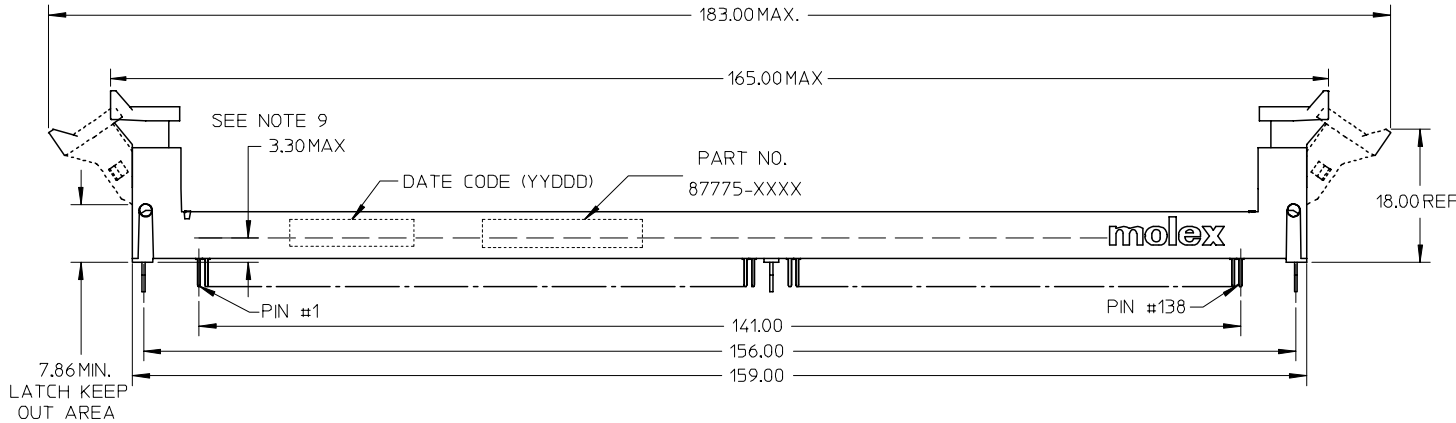
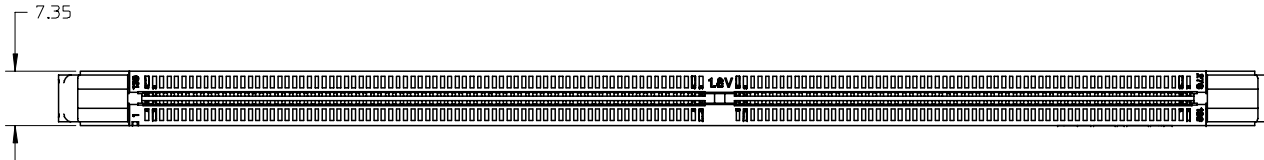
C

B

A

NOTES:

1. MATERIALS  
 HOUSING - HIGH TEMP. NYLON GLASS FILLED, UL 94V-0, COLOR: BLACK  
 EJECTORS - HIGH TEMP. NYLON GLASS FILLED, UL 94V-0, COLOR: NATURAL (OFF WHITE)  
 TERMINALS - COPPER ALLOY
2. PLATING - SEE TABLE IN SHEET 5.
3. CARD SLOT ACCEPTS 1.27±0.10MM MODULE THICKNESS. (MEASURED OVER P.C. PADS)
4. RECOMMENDED MODULE LAYOUT SHALL BE AS PER SHEET 3.
5. REFER TO PRODUCT SPEC. PS-87775-018 FOR PERFORMANCE SPECIFICATIONS.
6. PRODUCT IS PACKED IN TRAYS. REFER TO SHEET 6.
7. PRODUCT WILL HAVE DATE STAMPED ON SIDE OF HOUSING.
8. THE KEEP OUT AREA IS THE AREA WHERE THE CONNECTOR IS MOUNTED ONTO THE PCB THAT DOES NOT INCLUDE THE LATCH.
9. DIMM MODULE SEATING PLANE FROM TOP OF PCB.



UPDATE HSG VIEW	2007/05/21	2007/05/21
EC NO: S2007-1012	DRWN:CMTEO	CHKD:CCTEH
	APPR:SHLENI	
A1	REV	DESCRIPTION

QUALITY SYMBOLS	▽=0
	∇=0

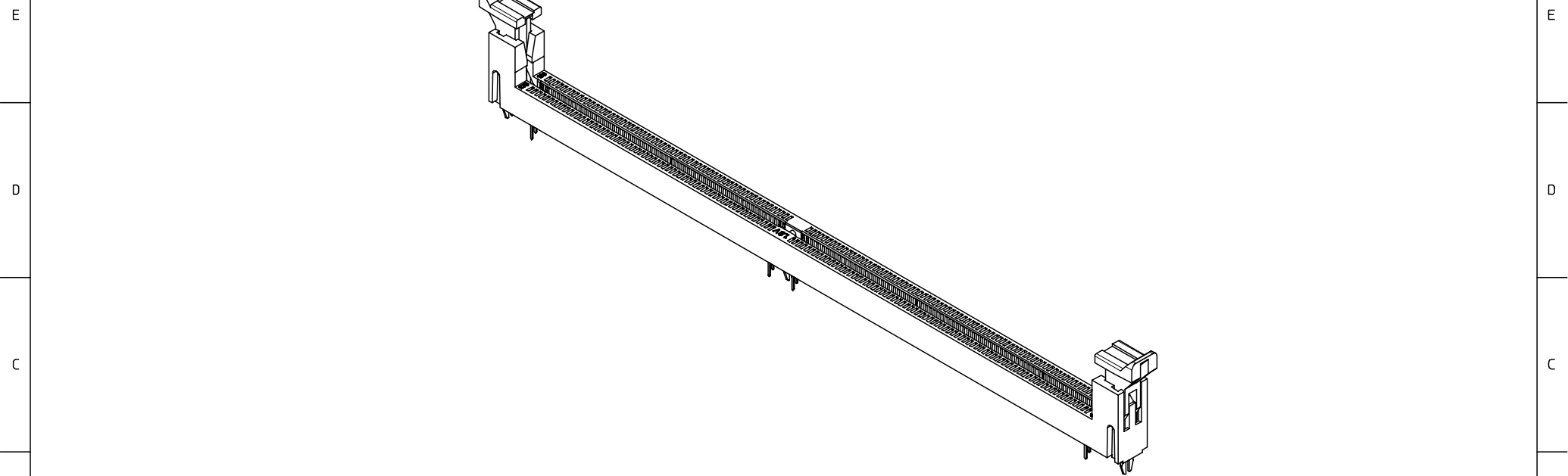
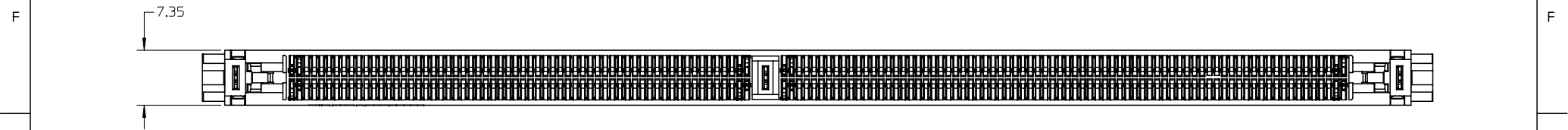
GENERAL TOLERANCES (UNLESS SPECIFIED)		
	mm	INCH
4 PLACES	± ---	± ---
3 PLACES	± ---	± ---
2 PLACES	± 0.20	± ---
1 PLACE	± ---	± ---
ANGULAR ± 5 °		
DRAFT WHERE APPLICABLE MUST REMAIN WITHIN DIMENSIONS		

DIMENSION STYLE	
MM ONLY	
DRAWN BY	DATE
CMTEO	2007/02/23
CHECKED BY	DATE
CCTEH	2007/04/03
APPROVED BY	DATE
SHLENI	2007/04/03
MATERIAL NO.	
SEE TABLE	
SIZE	A3

SCALE	NTS	DESIGN UNITS	METRIC	THIRD ANGLE PROJECTION
TITLE		DDR2 DIMM, 1.00MM PITCH 276 CKTS, VERTICAL T/H FORK-LOCK		
MOLEX INCORPORATED		SHEET NO. 1 OF 6		
DOCUMENT NO.		SD-87775-002		
THIS DRAWING CONTAINS INFORMATION THAT IS PROPRIETARY TO MOLEX INCORPORATED AND SHOULD NOT BE USED WITHOUT WRITTEN PERMISSION				

9 8 7 6 5 4 3 2 1

10 9 8 7 6 5 4 3 2 1



B B

UPDATE HSG VIEW EC NO: S2007-1012 DRWN: CMTEO CHKD: CCTEH APPR: SHLENI	2007/05/21 2007/05/21 2007/05/21	QUALITY SYMBOLS ▽=0 ▽=0	GENERAL TOLERANCES (UNLESS SPECIFIED)		DIMENSION STYLE MM ONLY		SCALE NTS	DESIGN UNITS METRIC	THIRD ANGLE PROJECTION		
							TITLE DDR2 DIMM, 1.00MM PITCH 276 CKTS, VERTICAL T/H FORK-LOCK				
							MOLEX INCORPORATED				
							DOCUMENT NO. SD-87775-002		SHEET NO. 2 OF 6		
A1	REV	DESCRIPTION	DRAFT WHERE APPLICABLE MUST REMAIN WITHIN DIMENSIONS		SEE TABLE		THIS DRAWING CONTAINS INFORMATION THAT IS PROPRIETARY TO MOLEX INCORPORATED AND SHOULD NOT BE USED WITHOUT WRITTEN PERMISSION				

9 8 7 6 5 4 3 2 1

10 9 8 7 6 5 4 3 2 1

F F

E E

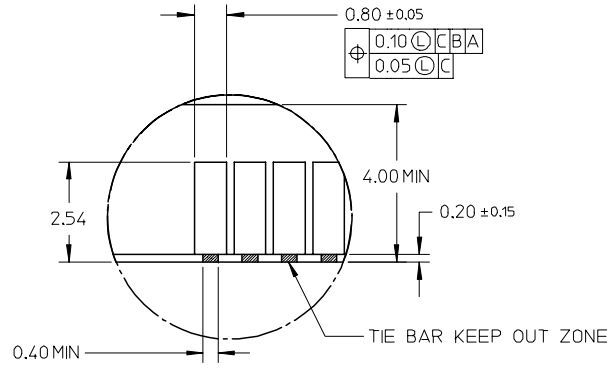
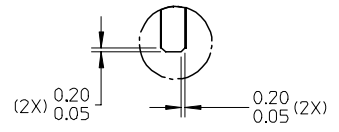
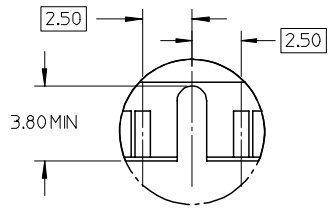
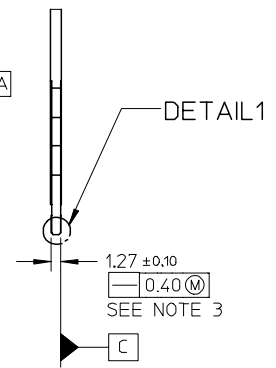
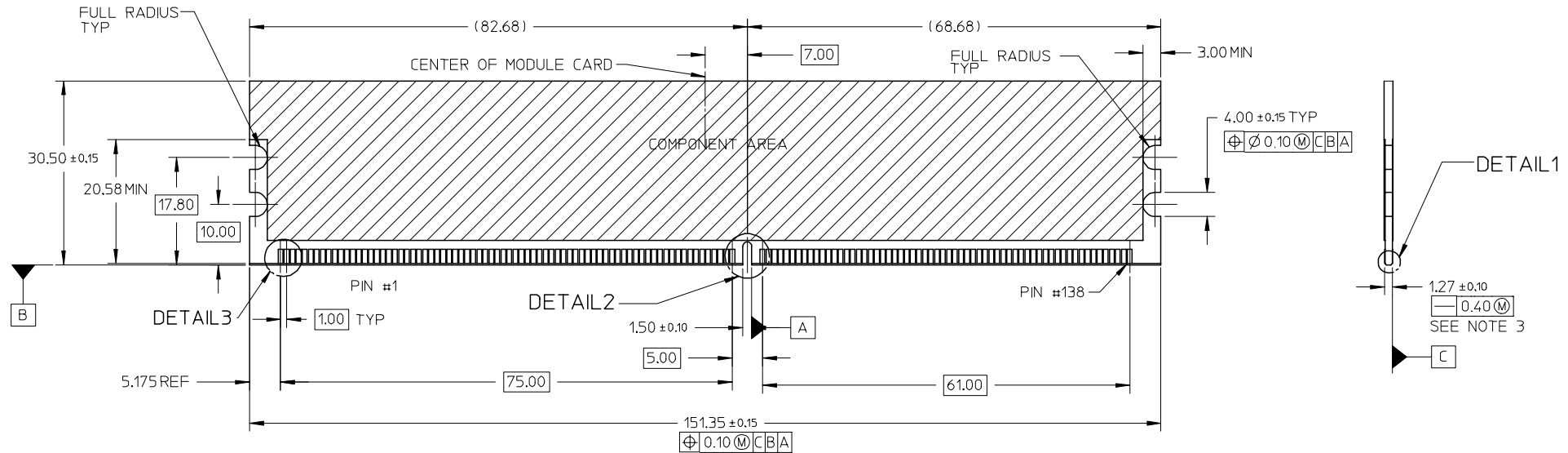
D D

C C

B B

A A

RECOMMENDED MODULE LAYOUT



UPDATE HSG VIEW	2007/05/21	2007/05/21	2007/05/21
EC NO: S2007-1012	DRWN:CMTEO	CHKD:CCTEH	APPR:SHLENI
REV	DESCRIPTION	QUALITY SYMBOLS	
A1		▽=0 ∇=0	

GENERAL TOLERANCES (UNLESS SPECIFIED)		
	mm	INCH
4 PLACES	± ---	± ---
3 PLACES	± ---	± ---
2 PLACES	± 0.20	± ---
1 PLACE	± ---	± ---
ANGULAR ± 5 °		
DRAFT WHERE APPLICABLE MUST REMAIN WITHIN DIMENSIONS		

DIMENSION STYLE		SCALE	DESIGN UNITS	THIRD ANGLE PROJECTION
MM ONLY		NTS	METRIC	
DRAWN BY	DATE	TITLE		
CMTEO	2007/02/23	DDR2 DIMM, 100MM PITCH		
CHECKED BY	DATE	276 CKTS, VERTICAL T/H		
CCTEH	2007/04/03	FORK-LOCK		
APPROVED BY	DATE	MOLEX INCORPORATED		
SHLENI	2007/04/03			
MATERIAL NO.	DOCUMENT NO.	SHEET NO.		
	SD-87775-002	3 OF 6		

SIZE	THIS DRAWING CONTAINS INFORMATION THAT IS PROPRIETARY TO MOLEX INCORPORATED AND SHOULD NOT BE USED WITHOUT WRITTEN PERMISSION		
A3			

NOTES:  
1. MODULE CARD USED FOR TESTS ARE WITH 0.10MM CHAMFER.

9 8 7 6 5 4 3 2 1

10 9 8 7 6 5 4 3 2 1

F

E

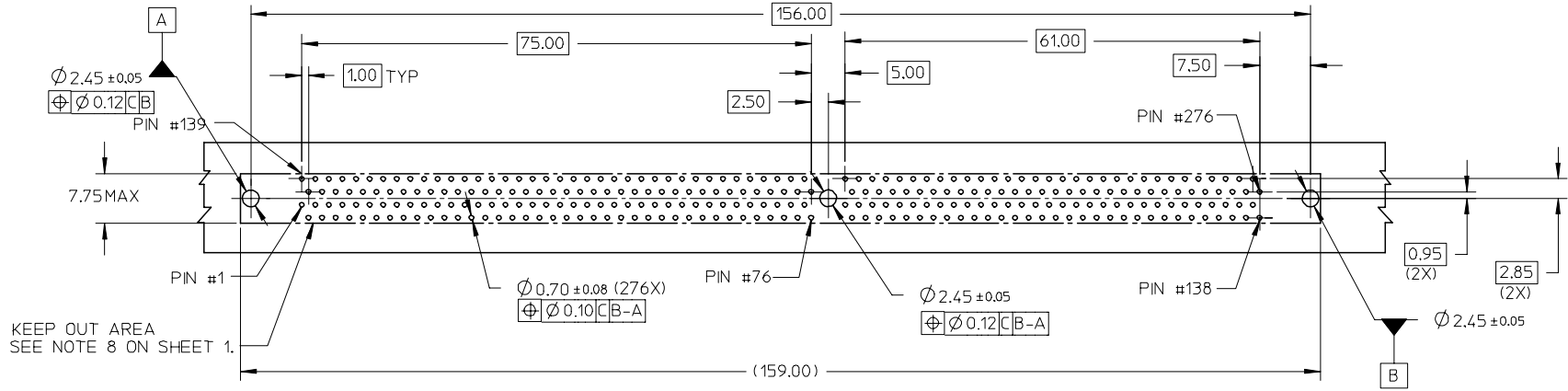
D

C

B

A

RECOMMENDED PCB LAYOUT  
CONNECTOR SIDE  
(SEE RECOMMENDED PCB THICKNESS IN TABLE)



KEEP OUT AREA  
SEE NOTE 8 ON SHEET 1.

C

UPDATE HSG VIEW EC NO: S2007-1012 DRWN:CMTEO CHKD:CCTEH APPR:SHLENI	2007/05/21 2007/05/21 2007/05/21	QUALITY SYMBOLS ▽=0 ▽=0	GENERAL TOLERANCES (UNLESS SPECIFIED)		DIMENSION STYLE MM ONLY		SCALE NTS	DESIGN UNITS METRIC	THIRD ANGLE PROJECTION			
			4 PLACES ± --- ± --- 3 PLACES ± --- ± --- 2 PLACES ± 0.20 ± --- 1 PLACE ± --- ± ---	mm    INCH	DRAWN BY CMTEO	DATE 2007/02/23	TITLE DDR2 DIMM, 100MM PITCH 276 CKTS, VERTICAL T/H FORK-LOCK					
			ANGULAR ± 5 °			CHECKED BY CCTEH	DATE 2007/04/03	MOLEX INCORPORATED				
			DRAFT WHERE APPLICABLE MUST REMAIN WITHIN DIMENSIONS			APPROVED BY SHLENI	DATE 2007/04/03	MATERIAL NO. SEE TABLE	DOCUMENT NO. SD-87775-002	SHEET NO. 4 OF 6		

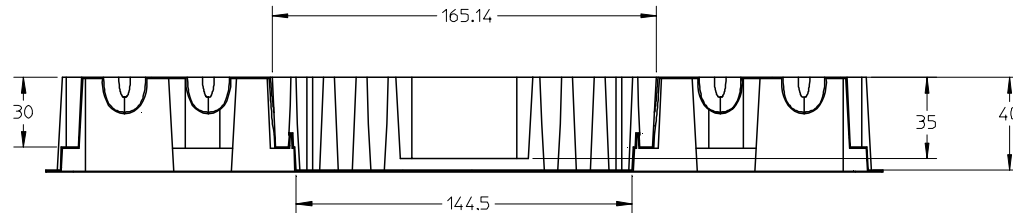
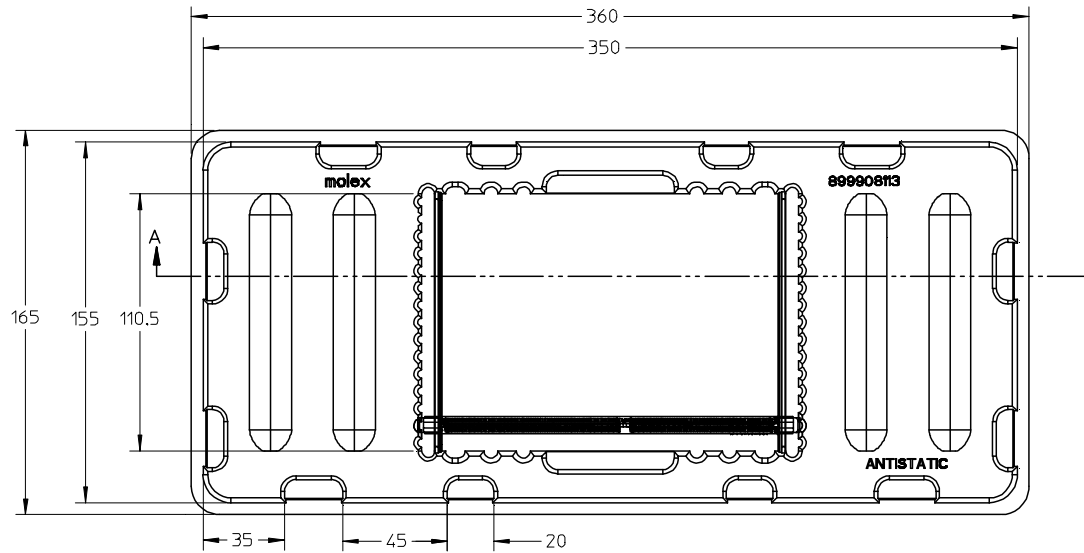
9 8 7 6 5 4 3 2 1

10 9 8 7 6 5 4 3 2 1

PART NO	KEY POS.	DIM 'T'	DIM 'V'	RECOMMENDED PCB THICKNESS	PLATING
87775-1001	CENTER	2.67	3.94	1.57	0.76µM/ 30µIN MIN. GOLD ON CONTACT, 2.54µM/ 100µIN MIN. TIN ON SOLDERTAILS 1.27µM/50µIN MIN. NICKEL UNDERPLATE
87775-1011		3.18		2.36	
87775-1101		4.00	4.42	3.00	

UPDATE HSG VIEW EC NO: S2007-1012 DRWN:CMTEO CHKD:CCTEH APPR:SHLENI	2007/05/21 2007/05/21 2007/05/21	QUALITY SYMBOLS ▽=0 ◻=0	GENERAL TOLERANCES (UNLESS SPECIFIED)		DIMENSION STYLE MM ONLY		SCALE NTS	DESIGN UNITS METRIC	THIRD ANGLE PROJECTION		
			4 PLACES ± --- ± ---	DRAWN BY CMTEO	DATE 2007/02/23	TITLE DDR2 DIMM, 1.00MM PITCH 276 CKTS, VERTICAL T/H FORK-LOCK					
			3 PLACES ± --- ± ---	CHECKED BY CCTEH	DATE 2007/04/03	MOLEX INCORPORATED					
			2 PLACES ± 0.20 ± ---	APPROVED BY SHLENI	DATE 2007/04/03	MATERIAL NO. SEE TABLE	DOCUMENT NO. SD-87775-002	SHEET NO. 5 OF 6			
A1	REV	DRAFT WHERE APPLICABLE MUST REMAIN WITHIN DIMENSIONS		SIZE A3		THIS DRAWING CONTAINS INFORMATION THAT IS PROPRIETARY TO MOLEX INCORPORATED AND SHOULD NOT BE USED WITHOUT WRITTEN PERMISSION					

9 8 7 6 5 4 3 2 1



SECTION A-A

NOTE:

1. CAVITY QTY : 1 X 15 = 15PCS.

UPDATE HSG VIEW EC NO: S2007-1012 DRWN:CMTEO CHKD:CCTEH APPR:SHLENI	2007/05/21 2007/05/21 2007/05/21	DESCRIPTION A1	QUALITY SYMBOLS ▽=0 ◻=0	GENERAL TOLERANCES (UNLESS SPECIFIED)		DIMENSION STYLE MM ONLY		SCALE NTS	DESIGN UNITS METRIC	THIRD ANGLE PROJECTION	
					mm	INCH	DRAWN BY CMTEO	DATE 2007/02/23	TITLE DDR2 DIMM, 1.00MM PITCH 276 CKTS, VERTICAL T/H FORK-LOCK		
				4 PLACES	± ---	± ---	CHECKED BY CCTEH	DATE 2007/04/03	MOLEX INCORPORATED		
				3 PLACES	± ---	± ---	APPROVED BY SHLENI	DATE 2007/04/03			
2 PLACES	± 0.20	± ---	ANGULAR ± 5 °		MATERIAL NO.	DOCUMENT NO.	SHEET NO.				
1 PLACE	± ---	± ---	DRAFT WHERE APPLICABLE MUST REMAIN WITHIN DIMENSIONS		SEE TABLE	SD-87775-002	6 OF 6				