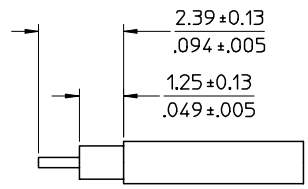
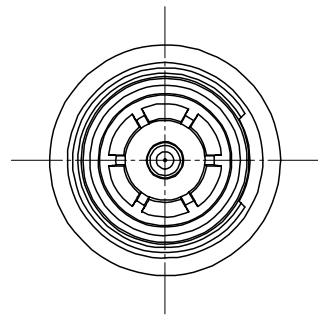
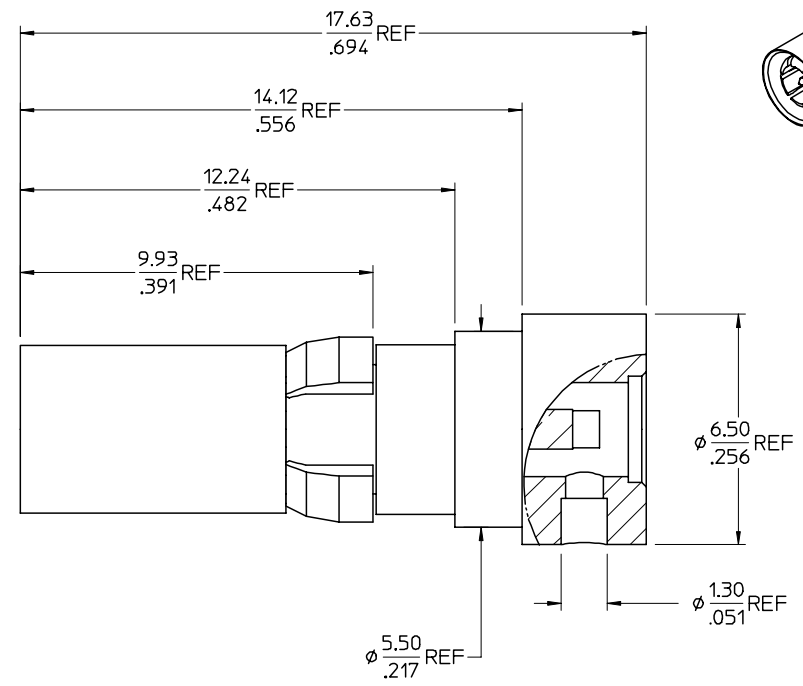
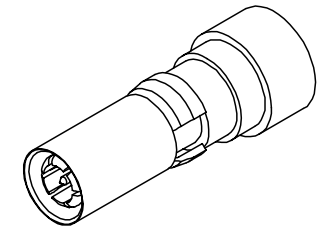


**MATERIALS AND FINISHES:**  
 BODY: BRASS  
 PLATED: GOLD (10 MICROINCHES MIN)  
 CENTER CONTACT: BRASS  
 PLATED: GOLD (10 MICROINCHES MIN)  
 INSULATOR: TEFLON  
 RETAINING CLIP: BeCu  
 PLATED: NICKEL (100 MICROINCHES MIN)  
 OUTER CONTACT: BeCu  
 PLATED: GOLD (30 MICROINCHES MIN)



RECOMMENDED STRIP DIMENSIONS

PART # 73174-0390

- UNLESS OTHERWISE SPECIFIED DIMS ARE INCHES AND ANGLES ARE DEGREES.
- $\forall$  ALL OVER.
  - NO CHATTER OR NON-UNIFORM
  - SURFACE FINISH ALLOWED.
  - PARTS TO BE FREE OF BURRS & SHARP EDGES 0.13(.005) MAX BREAK.
  - EXTERNAL THREADS TO BE ROLLED OR SINGLE POINT.
  - DIAMETERS TO BE CONCENTRIC WITHIN 0.08(.003) TIR.

SPECIFICATION		DESCRIPTION	
CHG: 17.63 REF WAS 16.99 REF	14.12 REF WAS 13.49 REF	12.24 REF WAS 11.60 REF	9.93 REF WAS 9.30 REF
TITLE WAS 10/2.3, REMOVED			
DIN SPECIFICATION, BODY			
PLATING WAS 1 MICROINCHES MIN			
EC NO. URF-2096		DRWN: SSS 04/15/04	
CHK: TBB 04/15/04 2004/01/15		APPR: JW 04/15/04	
CHG: NEW RELEASE			
CHANGED ALL DIMS FROM IN/MM TO MM/IN			
ADDED PLATING THICKNESSES			
EC NO. URF-2092		DRWN: TEF 04/05/04	
CHK: SSS 04/05/04		APPR: GMH 04/05/04	
CHG: 10/2.3 PLUG WAS 10/2.3			
JACK, ADDED STRIP			
DIMENSIONS AND DEPICTION OF CAP			
DRWN: SSS 02/10/04		CHG: 0.256 REF WAS 0.236 REF, ADDED .531 REF	
CHG: 0.256 REF WAS 0.236 REF, ADDED .531 REF		3.66 REF AND 0.217 REF	
DRWN: SSS 01/21/02 004/01/15		REV	
QUALITY SYMBOLS	GENERAL TOLERANCES (UNLESS SPECIFIED)	SCALE	DESIGN UNITS
▽ - 0	4 PLACES ± --- ± ---	INCH	INCH
▽ - 0	3 PLACES ± --- ± ---	DIMENSION STYLE IN/MM	
	2 PLACES ± --- ± ---	DRAWN BY	DATE
	1 PLACE ± --- ± ---	SSS	
	ANGULAR ±1/2°	CHECKED BY	DATE
	DRAFT WHERE APPLICABLE	TEF	2004/01/15
	MUST REMAIN WITHIN DIMENSIONS	APPROVED BY	DATE
		JDW	2004/01/15
THIS DRAWING CONTAINS INFORMATION THAT IS PROPRIETARY TO MOLEX INCORPORATED AND SHOULD NOT BE USED WITHOUT WRITTEN PERMISSION		MATERIAL NO.	DOCUMENT NO.
		MOLEX	SD-73174-0390
		TITLE	SHEET NO.
		1.0/2.3 JACK RA 50 OHM	1 OF 1
		SR .047 CABLE	
		1.0/2.3-JC	