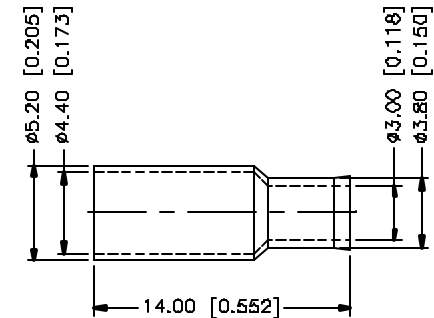
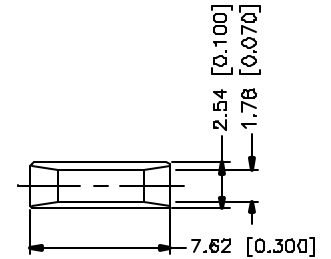
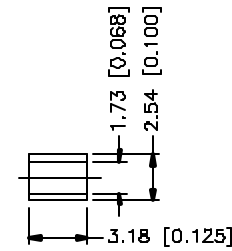
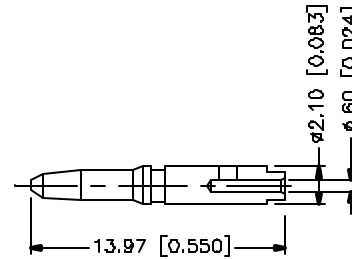
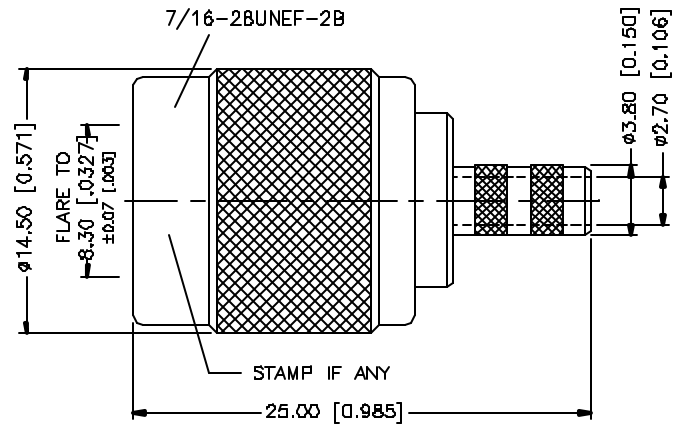
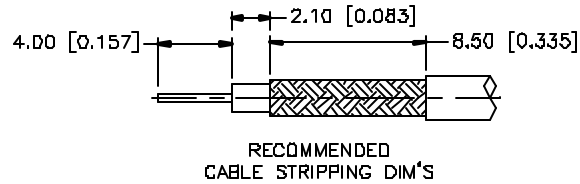


| REV. | DATE | DESCRIPTION |
|------|----------|--------------------------------|
| A | 02/06/00 | UPDATE DIMENSIONS - ADD SLEEVE |
| B | 11/25/03 | UPDATE DIMENSIONS |



CRIMP NOTES:

1. CRIMPED FERRULE
HEX SIZE .178"
2. CRIMPED CONTACT PIN
HEX CRIMP SIZE .068"
3. VSWR 1.6 MAX. UP TO 3 GHz

| | | | | | UNLESS OTHERWISE SPECIFIED DIMENSIONS ARE IN MILLIMETERS; DIMENSIONS IN [] ARE IN INCHES AND FOR CUSTOMER REFERENCE ONLY. | APPROVALS | DATE | Amphenol Connex | | | | |
|---|---------------|--------|---------|---|--|-----------|--------|------------------------|---------------------------------|--|--|----------|
| 8 | | | | | | DRAWN | G.R.S. | | | | | 11/25/03 |
| 7 | FERRULE | BRASS | NICKEL | 1 | UNLESS OTHERWISE SPECIFIED TOLERANCES FOR MILLIMETERS ARE: 0.5 - 8mm ± 0.20mm 8 - 30mm ± 0.40mm 30 - 120mm ± 0.50mm | CHECKED | | | PART NO. 122116 | | | |
| 6 | SPACER | BRASS | NICKEL | 1 | UNLESS OTHERWISE SPECIFIED TOLERANCES FOR INCHES ARE: .020 - .315 = ± 0.007" .315 - 1.180 = ± 0.015" 1.180 - 4.724 = ± 0.020" | ISSUED | | | | | | |
| 5 | SLEEVE | TEFLON | NATURAL | 1 | | | | | DO NOT SCALE DRAWING | | | |
| 4 | RETAINER RING | BRASS | NICKEL | 1 | | | | | | | | |
| 3 | INSULATOR | TEFLON | NATURAL | 1 | | | | | 1 OF 1 | | | |
| 2 | CONTACT PIN | BRASS | GOLD | 1 | | | | | | | | |
| 1 | SHELL/BODY | BRASS | NICKEL | 1 | | | | | DESCRIPTION MATERIAL FINISH QTY | | | |
| | | | | | | | | | | | | |