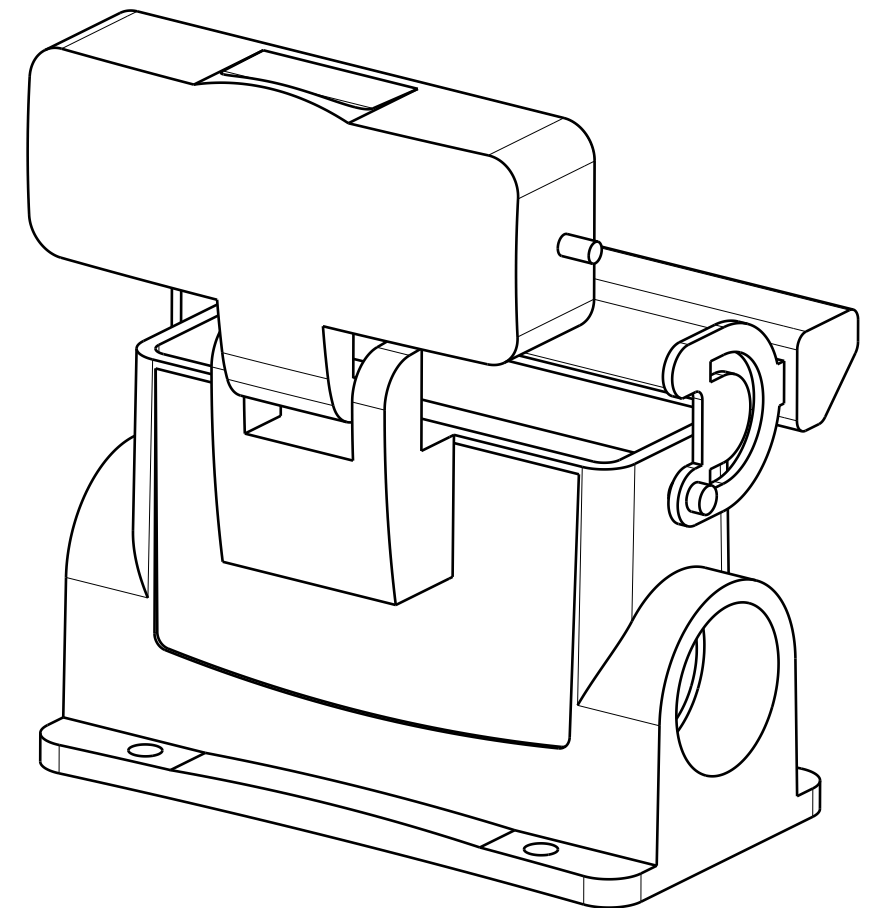
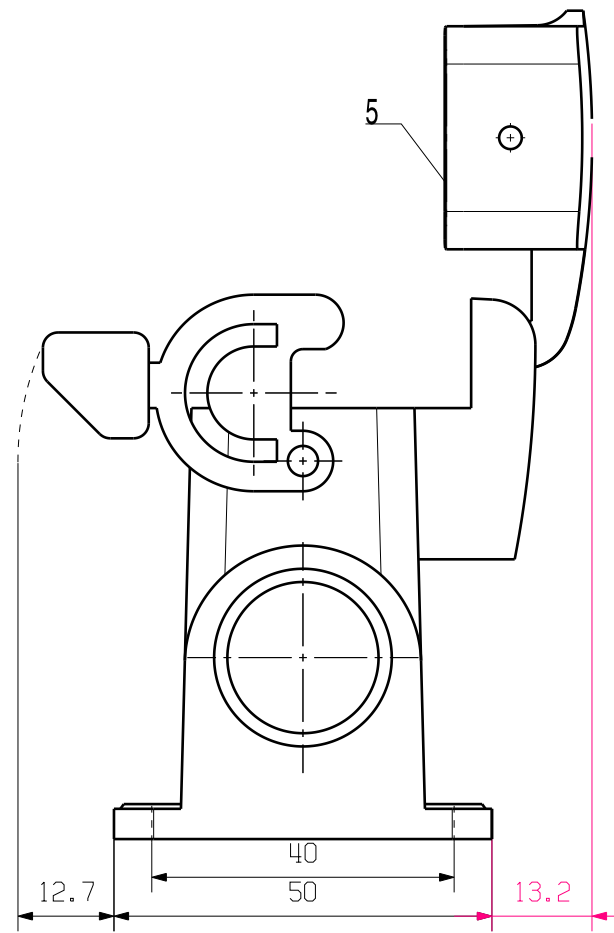
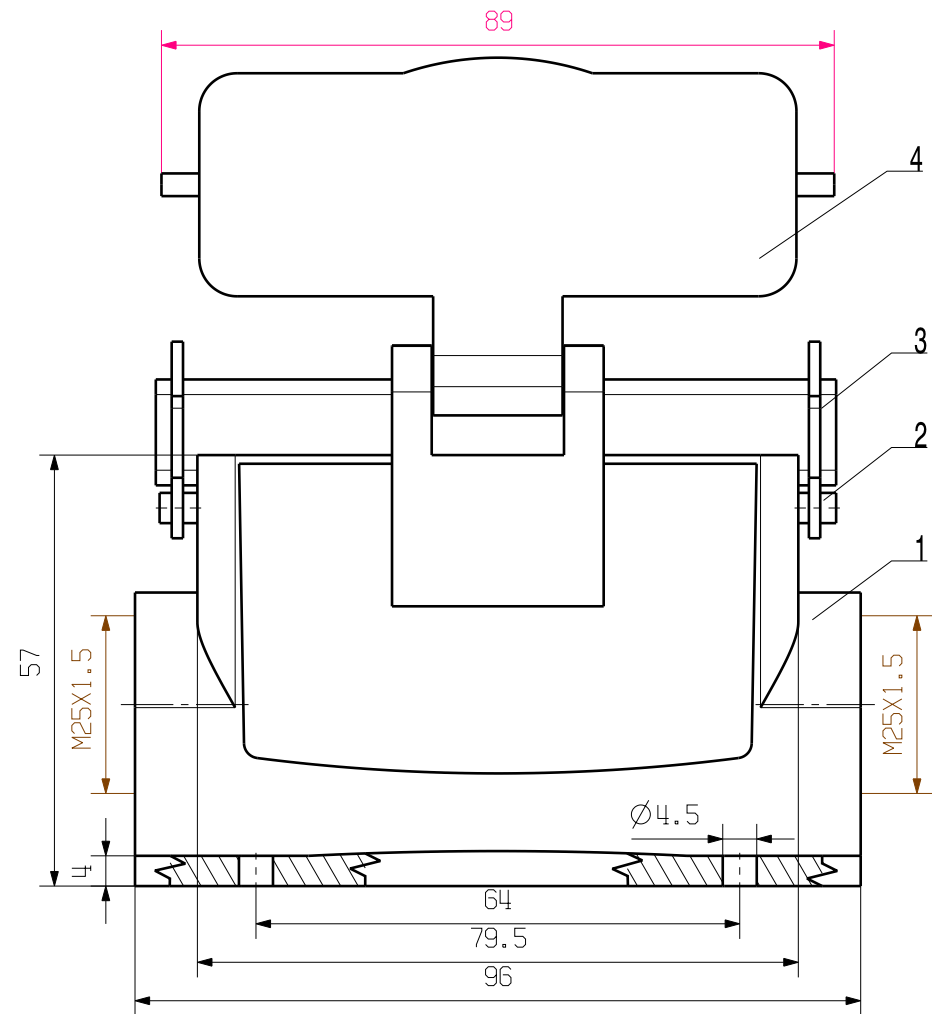


MASSE OHNE TOLERANZ SIND KEINE PRUEFMASSE
 DIMS. WITHOUT TOLERANCE ARE NOT CONTROL DIMS.

WEITERGABE SOWIE VERVIELFÄLTIGUNG DIESER DOKUMENTS, VERWERTUNG UND MITTEILUNG SEINES INHALTS SIND VERBOTEN, SOWEIT NICHT AUSDRUECKLICH GESTATET.
 ZUWIDERHANDLUNGEN VERPFLICHTEN ZU SCHADENSERSATZ. ALLE RECHTE FUER DEN FALL DER PATENT-, GEBRAUCHSMUSTER- ODER GESCHMACKSMUSTERREINTRAGUNG VORBEHALTEN.
 THE REPRODUCTION, DISTRIBUTION AND UTILIZATION OF THIS DOCUMENT AS WELL AS THE COMMUNICATION OF ITS CONTENTS TO OTHERS WITHOUT EXPLICIT AUTHORIZATION IS PROHIBITED.
 OFFENDERS WILL BE HELD LIABLE FOR THE PAYMENT OF DAMAGES. ALL RIGHTS RESERVED IN THE EVENT OF THE GRANT OF A PATENT, UTILITY MODEL OR DESIGN.



5	SEALING	NBR
4	COVER	ALUMINIUM WITH POWDER COATING
3	LOCKING	STAINLESS STEEL
2	LOCKING BOLTS	STAINLESS STEEL
1	BASE HOUSING	ALUMINIUM WITH POWDER COATING
ROHSTOFF-NR. R.PART NO.	TYP PART NAME	WERKSTOFF MATERIAL

		CAT.NO.: 1788780000	
MAX. NRN./NOS. ?		Weidmüller	
MODIFICATION		DRAWING NO.	ISSUE NO.
		DATE	NAME
SCALE: 1/1		DRAWN	16.11.2005 LIU_F
SUPERSEDES:		RESPONSIBLE	
SUPERSEDED BY:		CHECKED	30.11.2005 Zhang_T
		APPROVED	
		HDC 16A SDLU 2M25G SOCKELGEHAEUSE BASE HOUSING	
		PRODUCT FILE:	