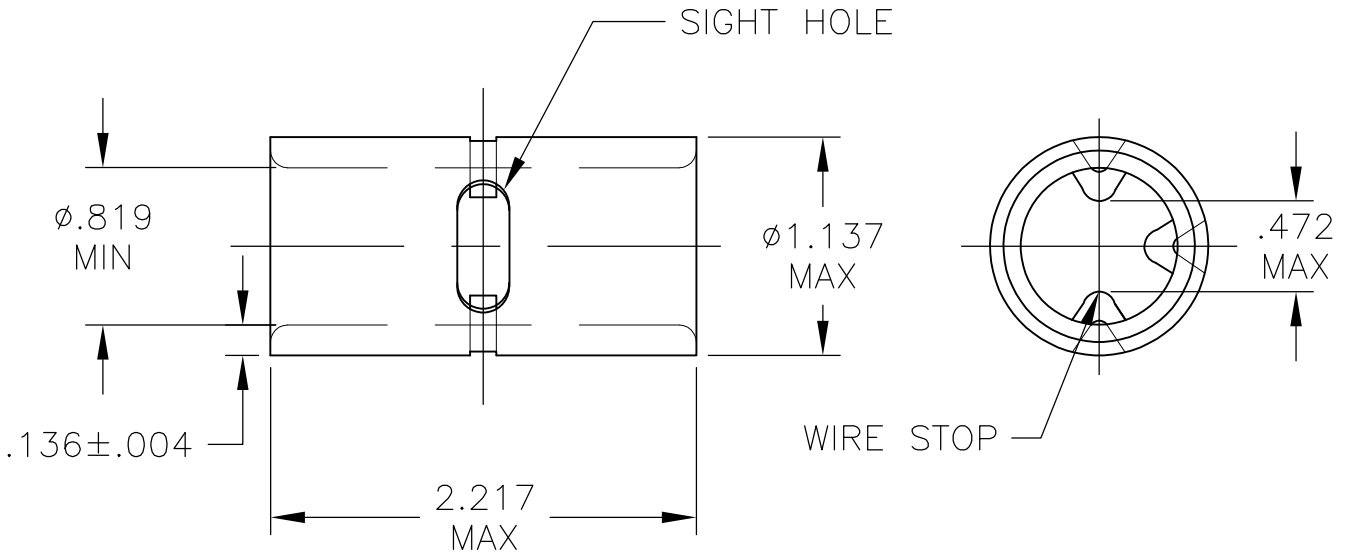


LOC G	DIST 14	REVISIONS			
P	LTR	DESCRIPTION	DATE	DWN	APVD
	A1	REVISED PER ECR-08-022483	29SEP08	HMR	JR



MATERIAL: COPPER PER ASTM B152, ANNEALED



THIS DRAWING IS UNPUBLISHED.

ALL INTERNATIONAL RIGHTS RESERVED.

© COPYRIGHT - BY TYCO ELECTRONICS CORPORATION.

DIMENSIONS: INCHES	DWN RAGHAVENDRA	29SEP08	MATERIAL		FINISH	TIN PLATE PER ASTM B545
	CHK JEFF RUTH	29SEP08	Tyco Electronics Corporation Harrisburg, PA 17105-3608			
TOLERANCES UNLESS OTHERWISE SPECIFIED:	APVD Michielutti Thomas	29SEP08				
0 PLC ± -	PRODUCT SPEC	-	NAME WIRE SPLICE SOLISTRAND- BUTT			
1 PLC ± -	APPLICATION SPEC	-	WIRE SIZE: 300-350 MCM			
2 PLC ± -			SIZE	CAGE CODE	DRAWING NO	RESTRICTED TO
3 PLC ± .005			A4	00779	322280	-
4 PLC ± -	WEIGHT	-	CUSTOMER DRAWING			
ANGLES ± 0° 30'			SCALE	1:1	SHEET	1 OF 1
					REV	A1