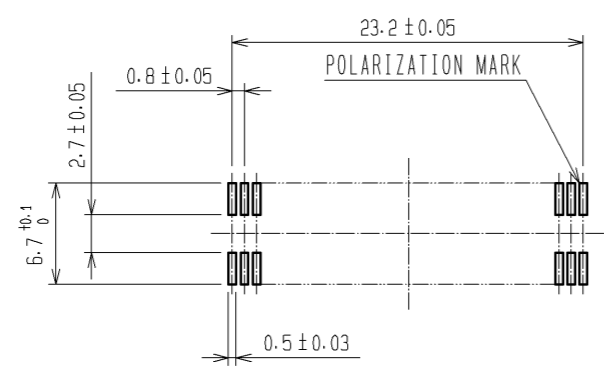


RECOMMENDED LAND PATTERN DIMENSION OF PCB (MOUNTING SIDE)  
 (RECOMMENDED METAL MASK THICKNESS  $t=0.15$ )



- NOTES
- ① HRS MARK SHOULD BE OPTIONAL.
  2. LEAD CO-PLANARITY SHALL BE 0.1mm MAX.
  3. FOR MODIFICATION, ETC., PREVENTIVE HOLE FOR SINK MARK MAY BE ADDED ACCORDING TO CIRCUMSTANCES.
  4. THE DIMENSIONS IN PARENTHESES ARE FOR REFERENCE.

1	PPS	LIGHT BROWN	UL94V-0	2	PHOSPHOR BRONZE	CONTACT AREA:GOLD 0.1 $\mu$ m min. LEAD AREA:TIN-PLATING 1 $\mu$ m min. UNDER PLATING:NICKEL 1 $\mu$ m min.
NO.	MATERIAL	FINISH . REMARKS		NO.	MATERIAL	FINISH . REMARKS
UNITS		SCALE	COUNT	DESCRIPTION OF REVISIONS		DESIGNED
mm		2 : 1	$\Delta$			CHECKED
<b>HRS</b> HIROSE ELECTRIC CO., LTD.		APPROVED : HS. OKAWA	05.11.01	DRAWING NO. EDC3-071326-25		DATE
		CHECED : HS. OZAWA	05.11.01	PART NO. FX6A-60P-0.8SV2(71)		
		DESIGNED : TK. YANAGISAWA	05.11.01	CODE NO. CL576-0245-8-71		
		DRAWN : TK. YANAGISAWA	05.11.01			$\Delta$ 1/1