

MODEL:

# PDU360AT6G60

## 3-Phase Monitored 1U Rackmount PDU with ATS



**208V  
3-Phase Input**



**Automatic  
Transfer Switch**



**208V Single-  
Phase Output**



**17.3kW  
Load Capacity**



**Multimode  
Load Meter**



**Network  
Interface**



**1U Horizontal  
Rackmount**

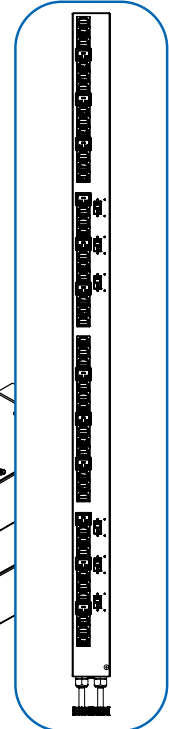
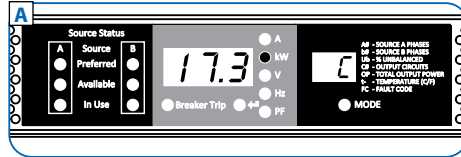


**60A Blue IEC 309  
3P+E Plugs**

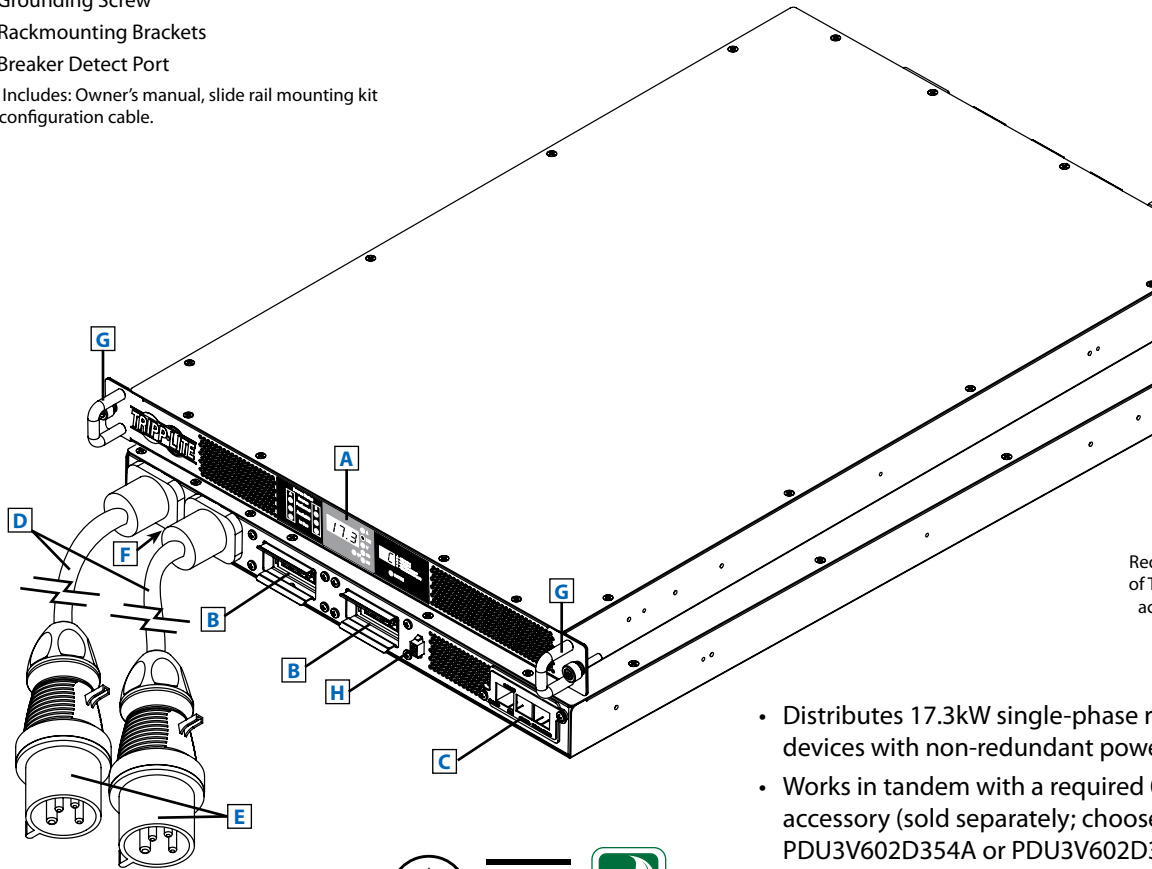
- A** Multi-Function Display
- B** ATS Output Mating Receptacle (x2)
- C** Network Interface
- D** 6.5 ft. Input Power Cord (x2)
- E** 60A Blue IEC 309 3P+E Input Plug (x2)
- F** Grounding Screw
- G** Rackmounting Brackets
- H** Breaker Detect Port

Also Includes: Owner's manual, slide rail mounting kit and configuration cable.

Multi-function display reports Current, Voltage, Frequency, Kilowatts, Power Factor and Temperature\*, plus Source A/B Preferred, Available and In-Use Status.  
\*Requires ENVIROSENSE option.



Requires separate installation of Tripp Lite 0U vertical outlet accessory (sold separately).



- Distributes 17.3kW single-phase redundant power for devices with non-redundant power supply configurations
- Works in tandem with a required 0U vertical outlet accessory (sold separately; choose from PDU3V602D354A or PDU3V602D354B, depending on application)
- Remote monitoring via SNMP, SSH, Web or Telnet
- Real-time load current display with billing-grade accuracy (+/-1%)

**SEE NEXT PAGE FOR DETAILED UNIT MEASUREMENTS**

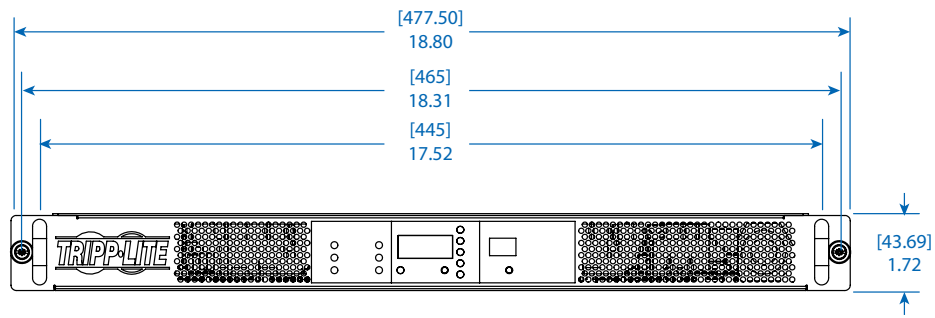


1111 W. 35th Street  
Chicago, IL 60609 USA  
773.869.1234  
www.triplite.com

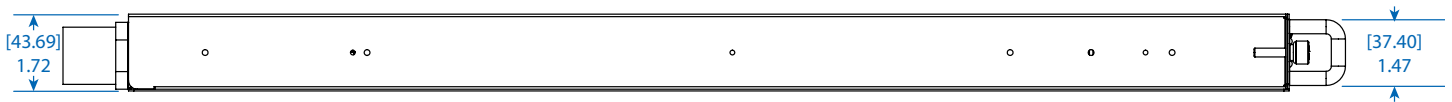
### Specifications

Model	PDU360AT6G60
Voltage	208V (3-Phase Input/Single-Phase Output)
Frequency	60 Hz
Load Capacity	17.3kW
Input Plug	60A Blue IEC 309 3P+E
Input Cord Lengths	6.5 ft. (1.98 m)
Outlets	Varies (Depends on Installed 0U Outlet Accessory)
Primary Mounting Option	1U Horizontal (0U Outlet Accessory Required)
Unit Weight & Dimensions	26.8 lb / 1.72 x 16.9 x 26 (HxWxD in inches) 12.2 kg / 44 x 430 x 660 (HxWxD in mm)
Standards	See next page for detailed unit measurements. Tested to UL/CSA 60950-1 (USA, Canada), NOM (Mexico), FCC Class A (Emissions), RoHS





FRONT VIEW



SIDE VIEW



REAR VIEW

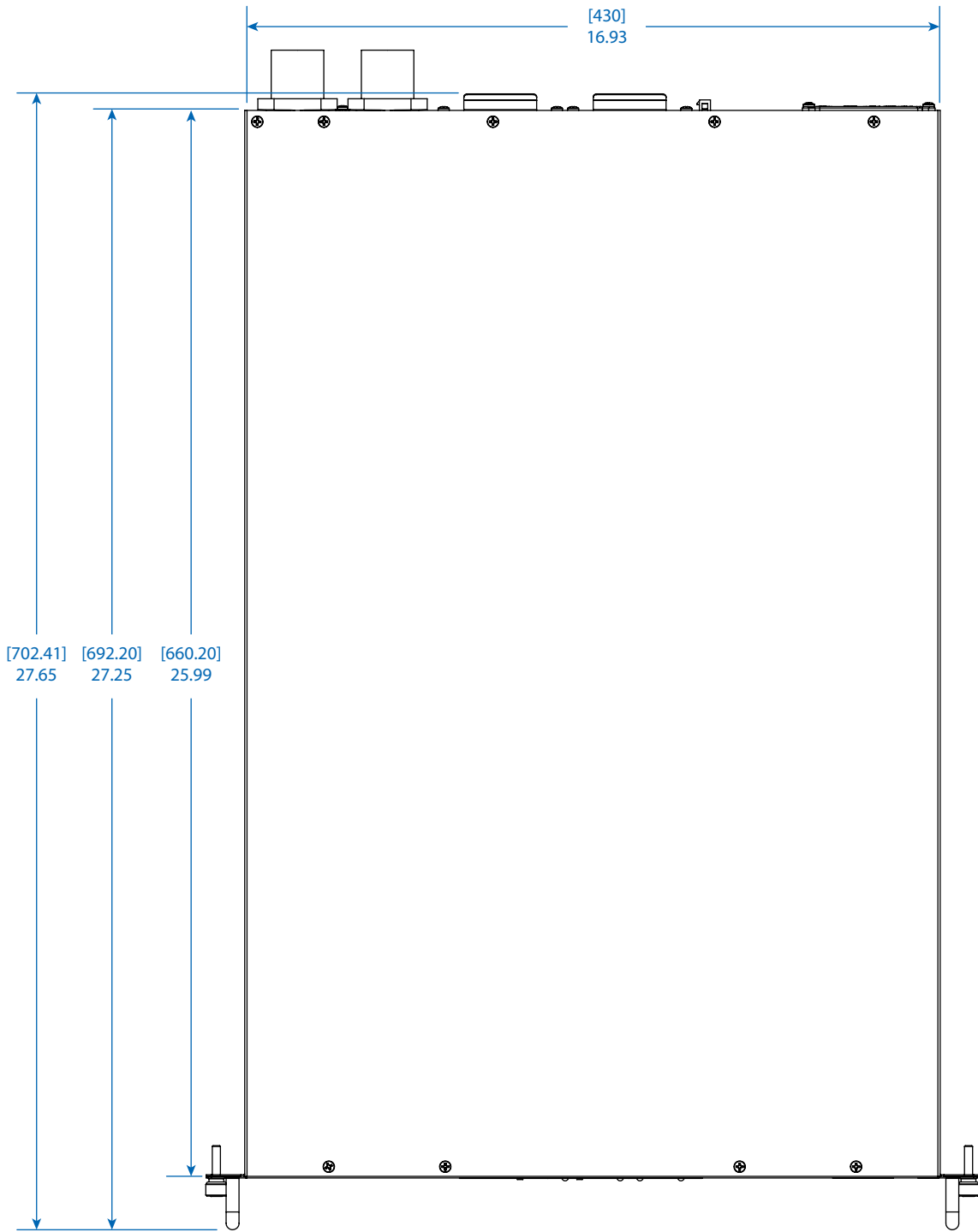
MODEL:  
**PDU360AT6G60**



1111 W. 35th Street  
Chicago, IL 60609 USA  
773.869.1234  
[www.tripplite.com](http://www.tripplite.com)

Dimensions: [mm] INCHES

Tripp Lite has a policy of continuous improvement. Specifications are subject to change without notice.



TOP VIEW

MODEL:  
**PDU360AT6G60**



1111 W. 35th Street  
 Chicago, IL 60609 USA  
 773.869.1234  
[www.tripplite.com](http://www.tripplite.com)

Dimensions: [mm] INCHES

Tripp Lite has a policy of continuous improvement. Specifications are subject to change without notice.