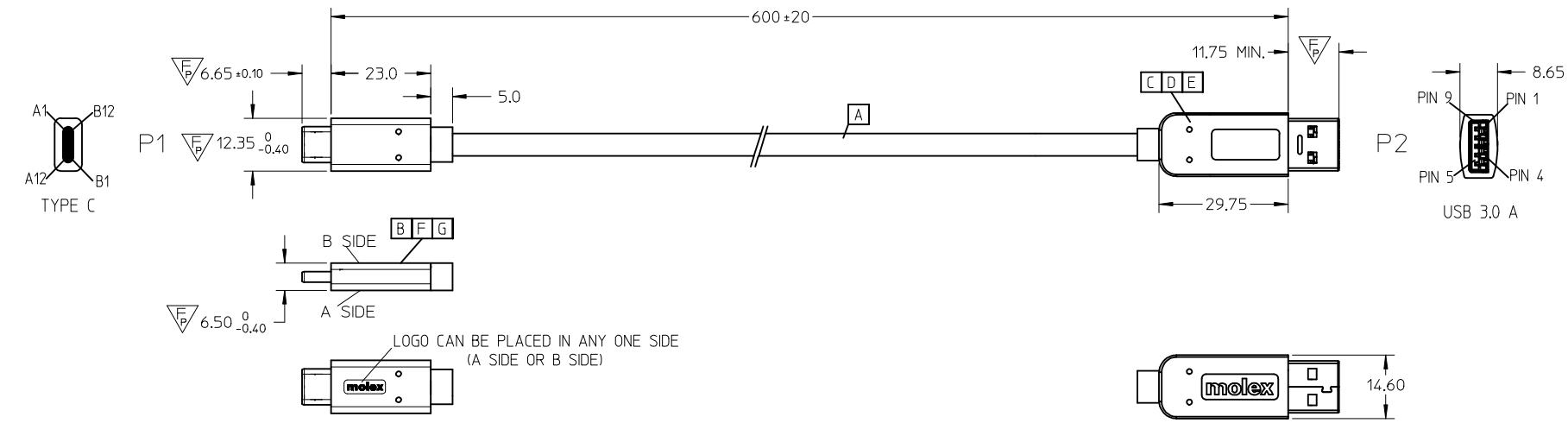
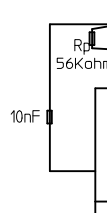


REVISIONS				
EC NO	DATE	REV	DESCRIPTION	CHANGER
CY15-7975	2015/12/31	C	CHANGE Rp VALUE; REMOVE 3A ON TITLE	LUCY
CY16-5179	2016/02/22	D	UPDATE FLEXING TEST REQUIREMENT	LUCY
CY16-5923	2016/07/08	E	ADD MOLEX LOGO ON OUTER MOLD	LUCY



PIN ASSIGNMENTS					
Type C	SIGNAL NAME	WIRE COLOR	USB 3.0 A	SIGNAL NAME	
A4,B4,A9,B9	VBUS	RED	1	VBUS	
A5	CC	-	-	-	
B5	Vconn	-	-	-	
A1,B1,A12,B12	GND	BLACK	4	GND	
A6	Dp1	GREEN	3	D+	
A7	Dn1	WHITE	2	D-	
A2	SSTXp1	YELLOW	6	StdA_SSRX+	
A3	SSTXn1	BLUE	5	StdA_SSRX-	
A1,A12	GND	DRAIN	7	GND_DRAIN	
B12,B1	GND	DRAIN			
B11	SSRXp1	PURPLE	9	StdA_SSTX+	
B10	SSRXn1	ORANGE	8	StdA_SSTX-	
SHELL	SHIELD	BRAID	SHELL	SHIELD	



ITEM	DESCRIPTION	QTY.
G	Type C stamping up shell for OD4.6&4.8	1
F	Typec stamping bottom shell for OD4.6	1
E	FRONT METAL FOR STD A PLUG	1
D	USB 3.0 STD A CONNECTOR ASSY	1
C	REAR METAL FOR STD A PLUG	1
B	PCBA, Usb Type C to usb3.1 padd card	1
A	3PX32+3CX24AWG;SHLD;PVC;BK;4.6MM;UL2725	AR

<b>ENTER DESCRIPTION</b> EC NO: CPG2017-0068 DRW: XJGU001 CH: KD:LUCY APPR: FNIE 2016/07/14 2016/07/14 2016/07/16	<b>QUALITY SYMBOLS</b> $\nabla_F = 0$ $\nabla_G = 0$ $\nabla_H = 4$	<b>GENERAL TOLERANCES (UNLESS SPECIFIED)</b>		<b>DIMENSION STYLE</b> MM ONLY		SCALE - - - - METRIC	DESIGN UNITS METRIC	THIRD ANGLE PROJECTION	
		4 PLACES ± --- ± --- 3 PLACES ± --- ± --- 2 PLACES ± 0.25 ± --- 1 PLACE ± 0.5 ± --- 0 PLACE ± --- ± ---	mm INCH ± --- ± --- ± 0.25 ± --- ± 0.5 ± --- ± --- ± ---	DRAWN BY XJGU001	DATE 2015/12/04	TITLE USB TYPE C TO USB 3.0 A GEN 2, L=0.6M			
		DRAFT WHERE APPLICABLE MUST REMAIN WITHIN DIMENSIONS		CHECKED BY LUCY	DATE 2015/12/04	APPROVED BY FNIE			
		ANGULAR ± --- °		MATERIAL NO. 687980006	DATE 2015/12/04	DOCUMENT NO. SD-68798-006		SHEET NO. 1 OF 2	



NOTE:

1. OVERMOLDING SPECIFICATION:

1.1 INNER MOLDING: PE RESIN

1.2 OUTER MOLDING: PVC BLACK RESIN

2. APPLICATION CONDITION

2.1 WORKING TEMPERATURE: -10°--- +50°

2.2 STORAGE TEMPERATURE: -20°--- +60°

3. MECHANICAL PERFORMACNE

3.1. CABLE ASSEMBLY CAN PASS FLEXING TEST, PER EIA364-41 CONDITION I WITH DIMENSION X=3.7 TIMES THE CABLE DIAMETER AND 100 CYCLES IN EACH OF TWO PLANES 120 DEGREE ARC.

3.2. CABLE SHOULD WITHSTAND A PULL FORCE 40N FOR ONE MINUTE WITHOUT VISIBLE TERMINATION DAMAGE.PER EIA 364-38 METHOD A

3.3 CABLE SHOULD MEET 3.8.1.6 4-AXIS CONTINUITY TEST OF TYPE C STANDARD FOR P1 SIDE

4.ELECTRICAL PERFORMACNE

4.1 100% OPEN AND SHORT TEST

4.2 OTHER ELECTRICAL PERFORMANCE MEET ES-069

(USB TYPE-C LEGACY CABLE, C - PLUG A, USB 3.1 GEN2)

4.3 CURRENT RATING: 3A, VOLTAGE DROP SHALL BE 250mV FOR GND AND 500mV FOR VBUS.

5. THIS PRODUCT MUST MEET RoHS 2011/65/EU

6.PRODUCT SPECIFICATION PS-68798-0007

ENTER DESCRIPTION EC NO: CPG2017-0068 DRWN:XJGU001 CHKD:LUCY APPR:FNIE	2016/07/14 2016/07/14 2016/07/16	DESCRIPTION QUALITY SYMBOLS $F_A=0$ $F_G=0$ $F_P=0$	GENERAL TOLERANCES (UNLESS SPECIFIED)		DIMENSION STYLE MM ONLY		SCALE ---	DESIGN UNITS METRIC	THIRD ANGLE PROJECTION		
				mm	INCH	DRAWN BY XJGU001	DATE 2015/12/04	TITLE USB TYPE C TO USB 3.0 A GEN 2, L=0.6M			
				4 PLACES	$\pm$ ---	$\pm$ ---	CHECKED BY LUCY				
				3 PLACES	$\pm$ ---	$\pm$ ---	APPROVED BY FNIE	DATE 2015/12/04	<b>molex</b> MATERIAL NO. 687980006 DOCUMENT NO. SD-68798-006 SHEET NO. 2 OF 2		
		2 PLACES	$\pm$ 0.25	$\pm$ ---	DRAFT WHERE APPLICABLE MUST REMAIN WITHIN DIMENSIONS		THIS DRAWING CONTAINS INFORMATION THAT IS PROPRIETARY TO MOLEX INCORPORATED AND SHOULD NOT BE USED WITHOUT WRITTEN PERMISSION				
		1 PLACE	$\pm$ 0.5	$\pm$ ---							
		0 PLACE	$\pm$ ---	$\pm$ ---							
			ANGULAR $\pm$ --- °								