

4

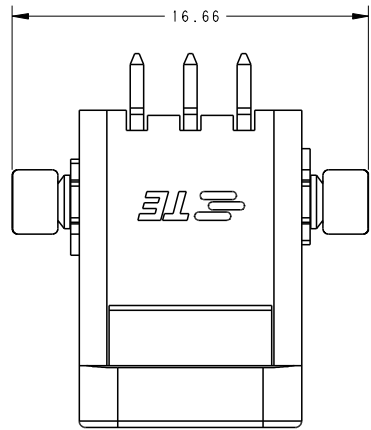
3

2

1

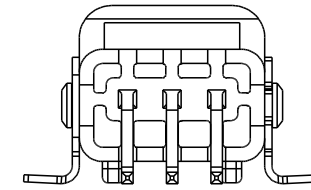
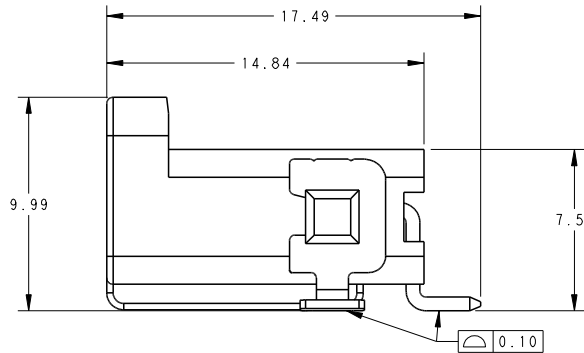
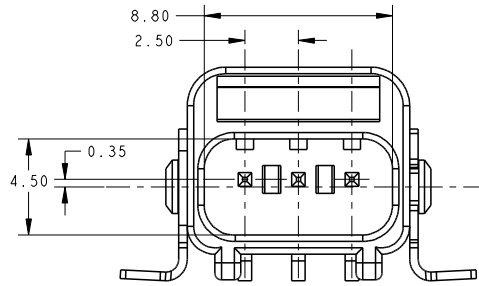
THIS DRAWING IS UNPUBLISHED. RELEASED FOR PUBLICATION 20
© COPYRIGHT 20 BY - ALL RIGHTS RESERVED.

REVISIONS				
P	LYR	DESCRIPTION	DATE	DWN APVD
A		FIRST VERSION	14MAR2017	G.F S.M
A1		UPDATE THE PAD WIDTH	26MAY2017	G.F S.M
A2		ECR-17-015236:UPDATE THE P/N	16OCT2017	G.F S.M
A3		ECR-18-009817	17APR2018	S.G S.M

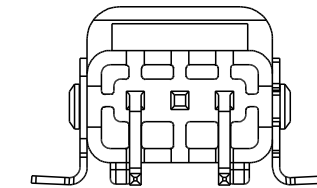


NOTES :

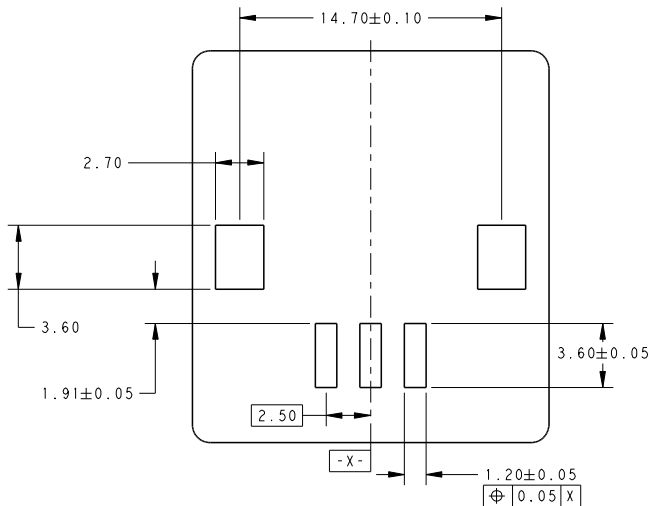
- MATERIALS AND FINISH:
- HOUSING: LCP
- CONTACTS: COPPER ALLOY, FINISH: TIN OVER NICKEL UNDERPLATE
- MUST COMPLY WITH DIRECTIVE 2002/95/EC (ROHS)
- PACKAGED IN TAPE AND REEL



3P: *-2834236-1



2P: *-2834236-2



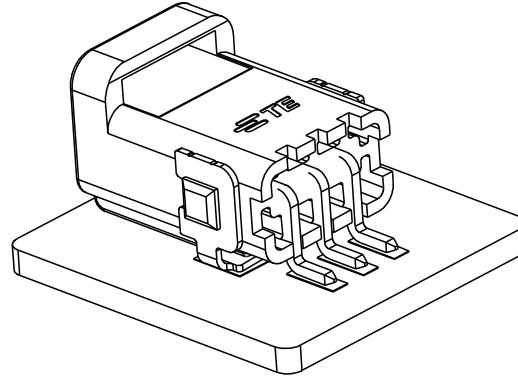
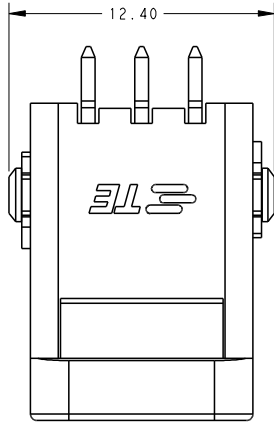
*-2834236-1&-2 PCB LAYOUT

BLACK	2-2834236-2	2P
NATURAL	1-2834236-2	
BLACK	2-2834236-1	3P
NATURAL	1-2834236-1	
COLOR	P/N	POSITION

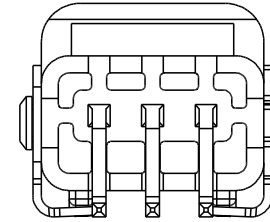
DIMENSIONS:		TOLERANCES UNLESS OTHERWISE SPECIFIED:		DWN - GEORGE FU 16OCT2017		CIR - GEORGE FU 16OCT2017		APVD - SHEI MING 16OCT2017		NAME	
mm		0 PLC ±	1 PLC ±0.2	16OCT2017		16OCT2017		16OCT2017		2.5MM R/A SMT TYPE	
		2 PLC ±0.15	3 PLC ±	SHEI MING		GEORGE FU		SHEI MING		WTB CONNECTOR	
		4 PLC ±	ANGLES ±	PRODUCT SPEC		APPLICATION SPEC		APPLICATION SPEC		SIZE	
		FINISH		108-137266		114-137266		114-137266		CAGE CODE	
MATERIAL		NOTE 1	NOTE 1	WEIGHT		RESTRICTED TO		RESTRICTED TO		DRAWING NO	
NOTE 1		NOTE 1	NOTE 1	RESTRICTED CUSTOMER		RESTRICTED TO		RESTRICTED TO		SCALE	
						A2		A2		SHEET	
						C=2834236		C=2834236		REV	
						4:1		4:1		A3	

THIS DRAWING IS UNPUBLISHED. RELEASED FOR PUBLICATION 20
 © COPYRIGHT 20 BY ALL RIGHTS RESERVED.

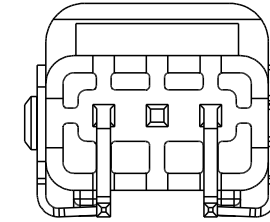
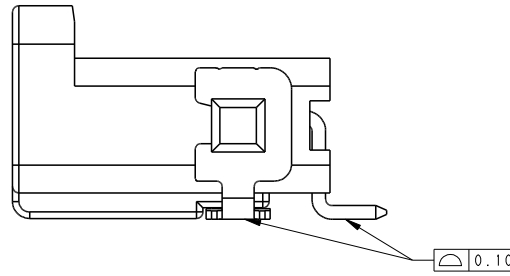
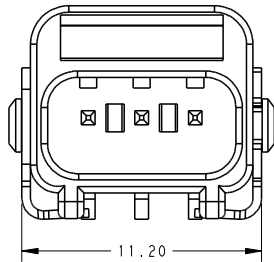
REVISIONS				
P	LYR	DESCRIPTION	DATE	APVD



NOTE:
 MORE DIMENSIONS PLEASE FOLLOW PAGE ONE.

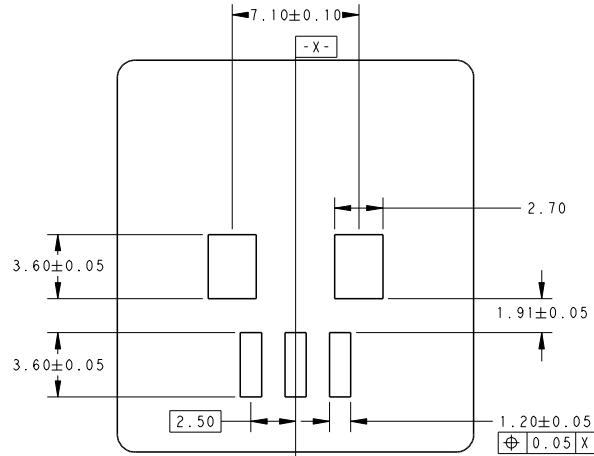


3P: *-2834236-3



2P: *-2834236-4

BLACK	2-2834236-4	2P
NATURAL	1-2834236-4	2P
BLACK	2-2834236-3	3P
NATURAL	1-2834236-3	3P
COLOR	P/N	POSITION



*-2834236-3&-4 PCB LAYOUT

DIMENSIONS:		TOLERANCES UNLESS OTHERWISE SPECIFIED:		DWN - GEORGE FU 16OCT2017		REV - GEORGE FU 16OCT2017		TE Connectivity	
mm	0 PLC ±	1 PLC ±0.2	2 PLC ±0.15	APVD - SHI MING 16OCT2017	NAME	2.5MM R/A SMT TYPE	RESTRICTED TO	-	
⌀	3 PLC ±	4 PLC ±	ANGLES ±	PRODUCT SPEC	108-137266	WTB CONNECTOR	SIZE	CAGE CODE	DRAWING NO
MATERIAL	FINISH	NOTE 1	NOTE 1	APPLICATION SPEC	114-137266	-	A2	-	©=2834236
NOTE 1	NOTE 1	RESTRICTED CUSTOMER	RESTRICTED TO	WEIGHT	-	-	SCALE	4:1	SHEET 2 OF 2
								REV A3	