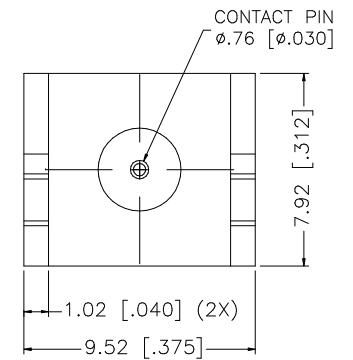
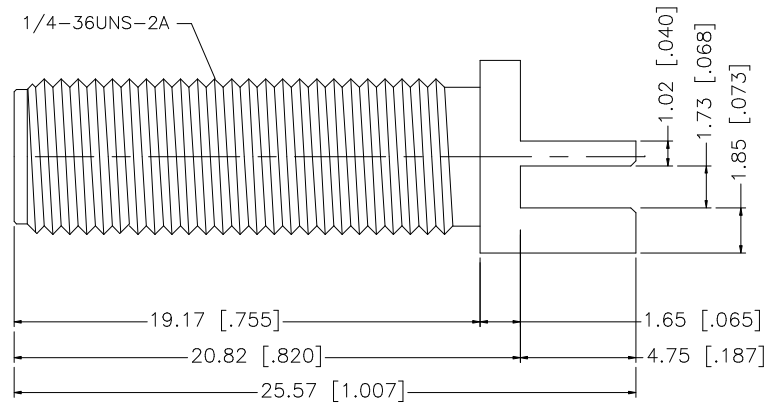
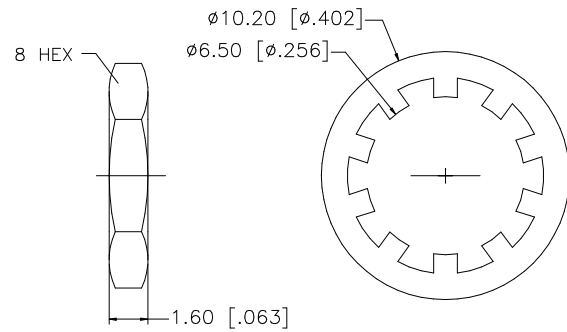


REV.	DATE	DESCRIPTION
NC	12/01/05	INITIAL RELEASE



NOTE:

1. MAX. BOARD THICKNESS = 1.57mm

REV.	DATE	DESCRIPTION	APPROVALS	DATE	DESCRIPTION
8					
7					
6					
5	HEX NUT	BRASS	GOLD	1	<p><b>Amphenol Connex</b></p> <p>PART DESCRIPTION</p> <p>SMA END LAUNCH RECEPTACLE JACK</p> <p>PART NO.</p> <p>132371</p> <p>DWG. NO. 132371.DWG</p> <p>REV. NC SIZE A SCALE NA</p>
4	LOCK WASHER	BRASS	GOLD	1	
3	CONTACT PIN	BER. COPPER	GOLD	1	
2	INSULATOR	TEFLON	NATURAL	1	
1	BODY	BRASS	GOLD	1	
<p>UNLESS OTHERWISE SPECIFIED DIMENSIONS ARE IN MILLIMETERS. DIMENSIONS IN [ ] ARE IN INCHES AND FOR CUSTOMER REFERENCE ONLY.</p> <p>UNLESS OTHERWISE SPECIFIED TOLERANCES FOR MILLIMETERS ARE:</p> <p>0.5 - 8mm ± 0.20mm</p> <p>8 - 30mm ± 0.40mm</p> <p>30 - 120mm ± 0.50mm</p> <p>UNLESS OTHERWISE SPECIFIED TOLERANCES FOR INCHES ARE:</p> <p>.020 - .315 = ± 0.007"</p> <p>.315 - 1.180 = ± 0.015"</p> <p>1.180 - 4.724 = ± 0.020"</p> <p>DO NOT SCALE DRAWING</p>					<p>DRAWN G.R.S. 12/01/05</p> <p>CHECKED</p> <p>ISSUED</p> <p>SHEET 1 OF 1</p> <p>CAD FILE C:/132/132371.DWG</p>