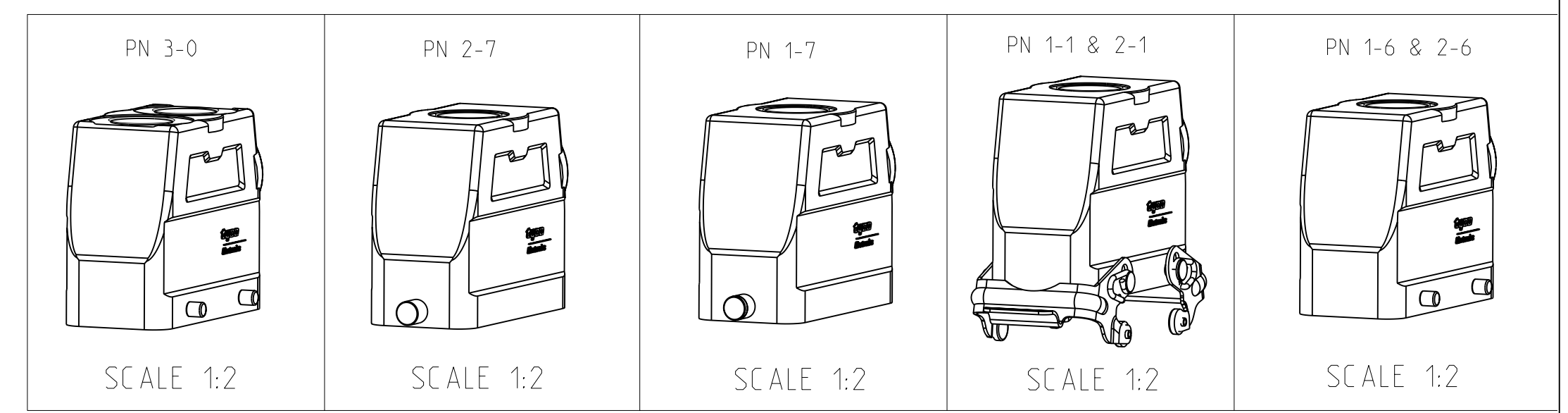


LOC	DIST	REVISIONS			
P	LTR	DESCRIPTION	DATE	DWN	APVD
A1		Released as per ECR-07-012890	12-06-07	SK	TS

- NOTES
- Material: Housing: aluminium diecasting alloy  
Seals: Neoprene
  - Surface: - varnish-grey  
Aluminium oxide+  
Varnish black
  - Packaging  
quantity: 5 pieces



QTY	DESCRIPTION	MATERIAL	SURFACE	COLOR	ITEM NO	NOTES
2	LB-Clip bolt	Stainless steel	-	-	9	-
2	LB-Clip bolt	Steel	Zinc plated	Blue	8	-
2	VS-Locking clip	Stainless steel	-	-	7	-
2	VS-Locking clip	Steel	Zinc plated	Blue	6	-
4	VS-Clip bolt	Stainless steel	-	-	5	-
4	VS-Clip bolt	Steel	Zinc plated	Blue	4	-
1	Hood HD.40.Pg.1.21	Aluminium	-	Grey	3	Special
1	Hood HD.40.Pg.1.21	Aluminium	Aluminium oxide	Black	2	-
1	Hood HD.40.Pg.1.21	Aluminium	-	Grey	1	-

ORDERING TEXT

HD.40.Sto-1.21.G

HD-K.40.Sto.1.21.G

HD.40.Sto-VS-1.21.G

HD-K40.Sto-VS-1.21.G

HD.40.Sto-GR.1.21.G

HD-K40.Sto-GR-1.21.G

HD.40.Sto-2.21-SO

DIMENSIONS: mm 		TOLERANCES UNLESS OTHERWISE SPECIFIED: 0 TO 30mm ± 0.15mm 30 TO 50mm ± 0.2mm 50 TO 100mm ± 0.3mm 100 TO 150mm ± 0.4mm 150 TO 200mm ± 0.5mm 200 TO 300mm ± 0.6mm 300 TO 400mm ± 0.8mm 400 TO 500mm ± 1.0mm 500 TO 600mm ± 1.2mm 600 TO 700mm ± 1.5mm 700 TO 800mm ± 1.8mm 800 TO 900mm ± 2.0mm 900 TO 1000mm ± 2.5mm ANGLES FINISH ± 0.1mm		DWN: Schneider 12.04.99 CHK: Schneider 12.04.99 APVD: -		Tyco Electronics AMP GmbH 0-53819, Neunkirchen, Germany	
MATERIAL: - FINISH: -		PRODUCT SPEC: - APPLICATION SPEC: - WEIGHT: -		NAME: HOOD HD.40.STO.1.21 SIZE: A1 CAGE CODE: 00779 DRAWING NO: C=1102570 RESTRICTED TO: -		CUSTOMER DRAWING: - SCALE: 1:1 SHEET: 1 OF 1 REV: A2	