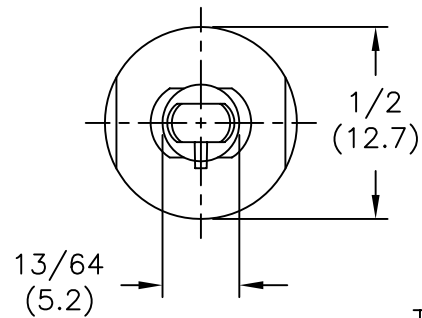
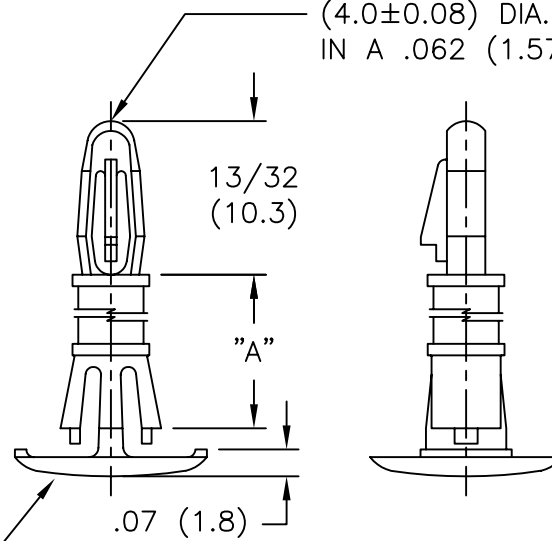


PART NO.	DIM. "A" ±.015(0.4)
RLCBSRE-4-01	1/4 (6.4)
RLCBSRE-6-01	3/8 (9.5)
RLCBSRE-8-01	1/2 (12.7)
RLCBSRE-10-01	5/8 (15.9)



TO SNAP-LOCK IN A  $.157 \pm .003$   
( $4.0 \pm 0.08$ ) DIA. HOLE,  
IN A  $.062$  (1.57) THK. BOARD.



TO SNAP-LOCK IN A  $.213 \pm .003$  ( $5.41 \pm 0.08$ )  
DIA. HOLE, IN A  $.059$  TO  $.065$  (1.50 TO 1.65)  
THK. PANEL/CHASSIS.

NOTES:

- MATERIAL: NYLON 6/6 (RMS-01).  
FLAME RETARDANT: NYLON (RMS-19).  
BY SPECIAL ORDER.
- COLOR: NATURAL.

TITLE: REVERSE LOCKING CKT. BD. SUPPORT, ENGLISH						DWG IN IN(MM)	
TOLERANCES UNLESS NOTED .XX=±.010 .XXX=±.015 FRAC=1/64 ANG=1°		FILE # RLCBSRE	DWN: P.B.	APP:		FINAL	
MAT'L: SEE NOTE		RE: RICHCO, INC.	DT: 05-23-95	DT:		PART #	PRINT TYPE
C CHANGED FILE NUMBER SM 05.03.01		A CONVERTED TO AUTOCAD PB 05.23.95		B MAT'L RMS-19 ADDED J.L. 12.29.97		SEE TABLE	CA
A CONVERTED TO AUTOCAD PB 05.23.95		B MAT'L RMS-19 ADDED J.L. 12.29.97		C CHANGED FILE NUMBER SM 05.03.01		RE: RICHCO, INC. PO BOX 804238, CHICAGO, 60680 (773) 539-4060	

REV	DESCRIPTION	ENGR	DATE
C	CHANGED FILE NUMBER	SM	05.03.01
B	MAT'L RMS-19 ADDED	J.L.	12.29.97
A	CONVERTED TO AUTOCAD	PB	05.23.95