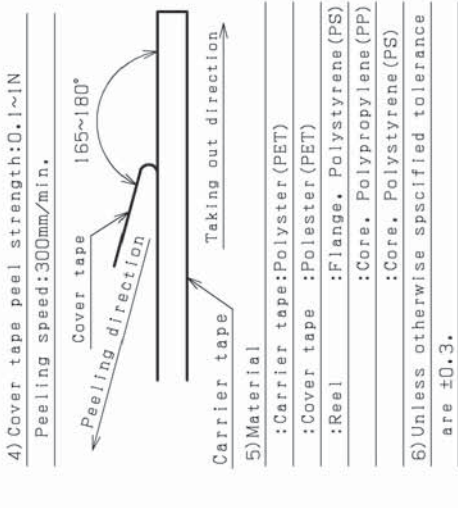
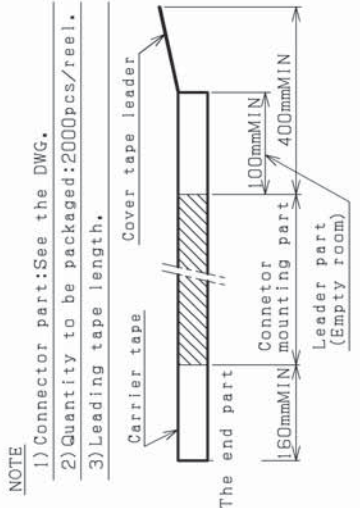
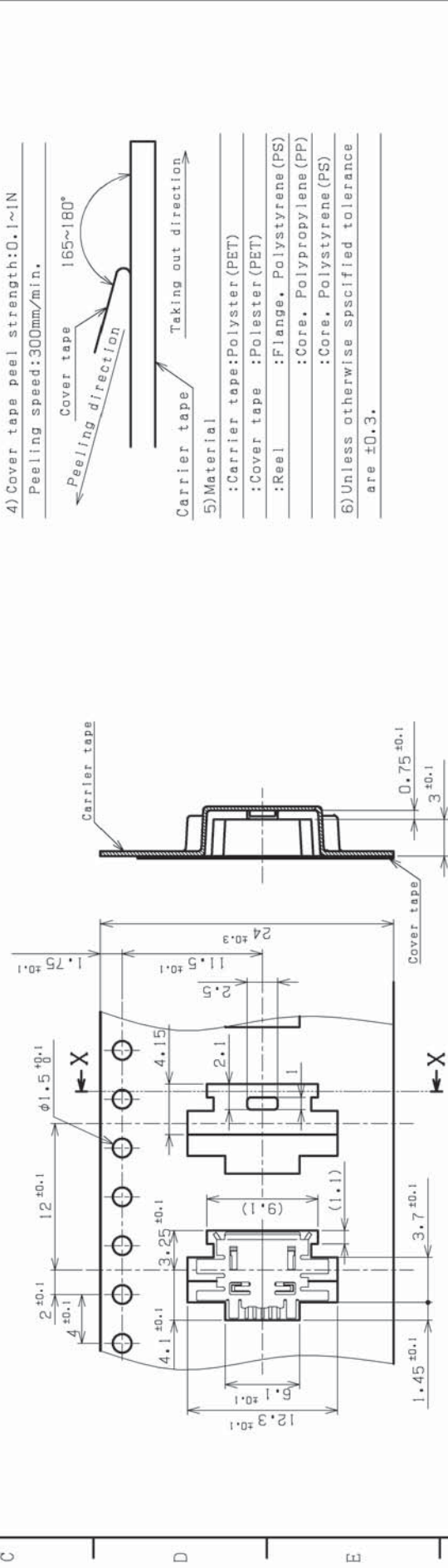
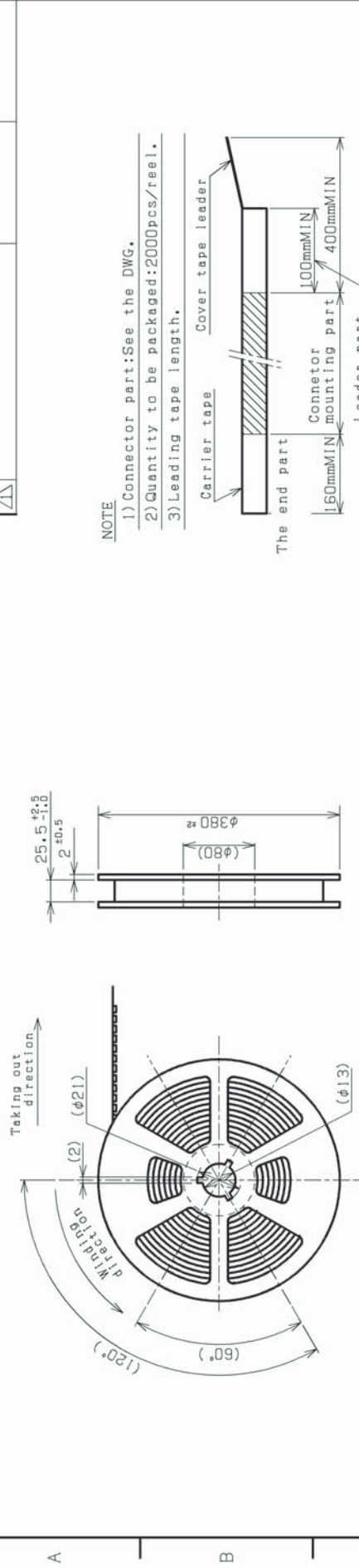


| | | | |
|------|-------------|------|----------|
| REV. | DESCRIPTION | DATE | DESIGNED |
| △ | | | |



NOTE

- 1) Connector part: See the DWG.
- 2) Quantity to be packaged: 2000pcs/reel.
- 3) Leading tape length.
- 4) Cover tape peel strength: 0.1~1N
Peeling speed: 300mm/min.
- 5) Material
: Carrier tape: Polyester (PET)
: Cover tape: Polyester (PET)
: Reel : Flange, Polystyrene (PS)
: Core, Polypropylene (PP)
: Core, Polystyrene (PS)
- 6) Unless otherwise specified tolerance are ±0.3.

| | | | | | | |
|-----------------------------|---------|----------|------------|----------------------------------|---------------------|--|
| SIZE | UNIT | SCALE | PROJECTION | DATE | CUSTOMER | |
| A3 | METRIC | FREE | 1st | 5.FEB.2010 | MicroUSB Receptacle | |
| APPROVED | CHECKED | DESIGNED | DRAWN | Mid mount Btype | | |
| S.U | Y.N | Y.N | Y.N | PART No. UB-MC5BR3-M04-4S-TB NMP | | |
| J.S.T. MFG. CO., LTD | | | | DRAWING No. | RO | |
| | | | | CT7-00350-G20-1 | | |

THIS DRAWING CONTAINS INFORMATION THAT IS PROPRIETARY TO J.S.T. AND SHOULD NOT BE USED WITHOUT WRITTEN PERMISSION.

EG4109-2