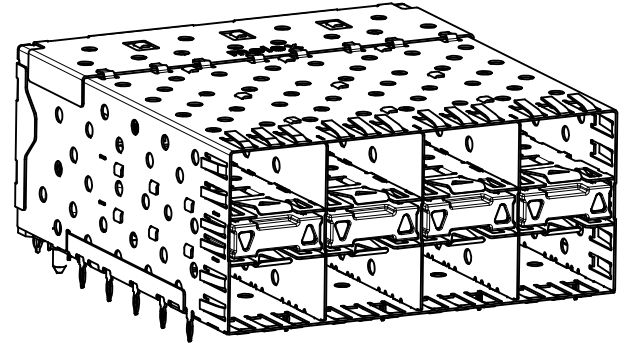
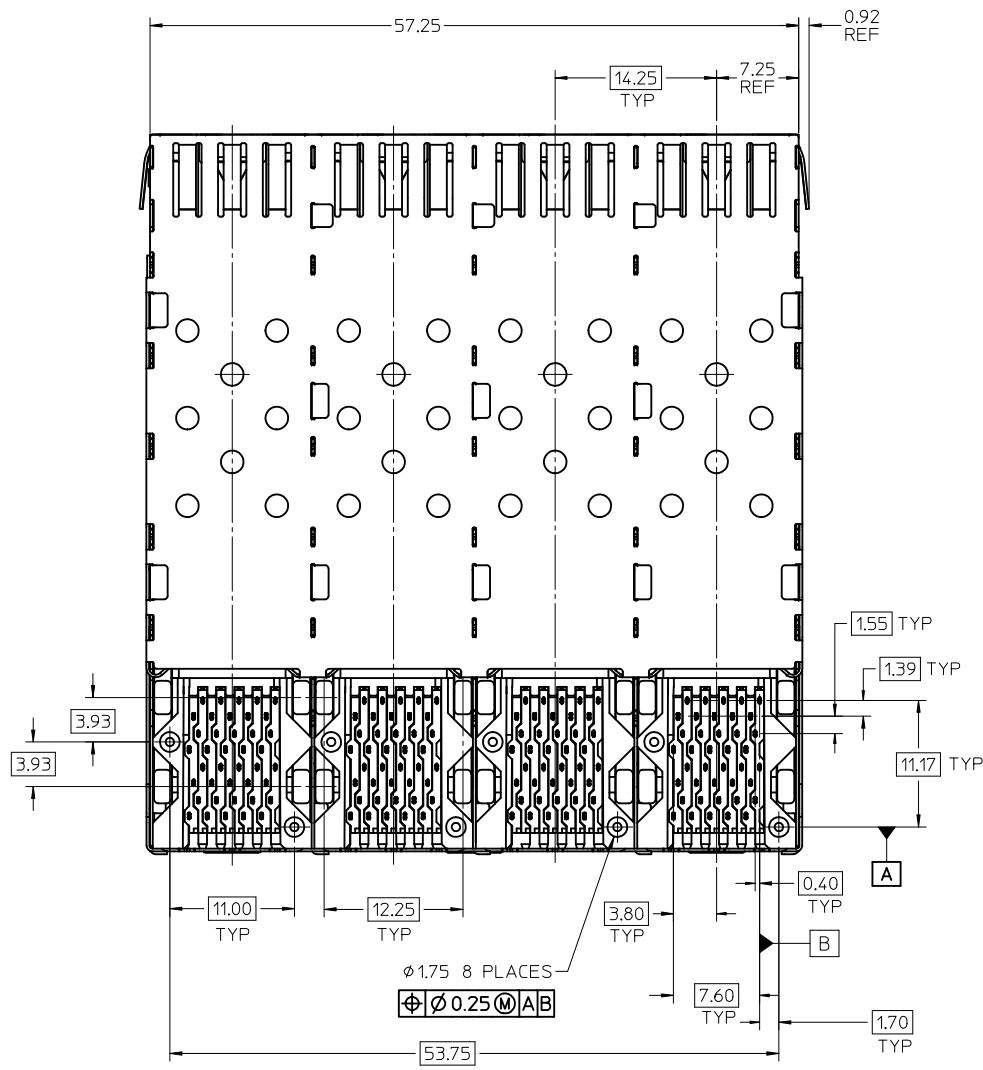


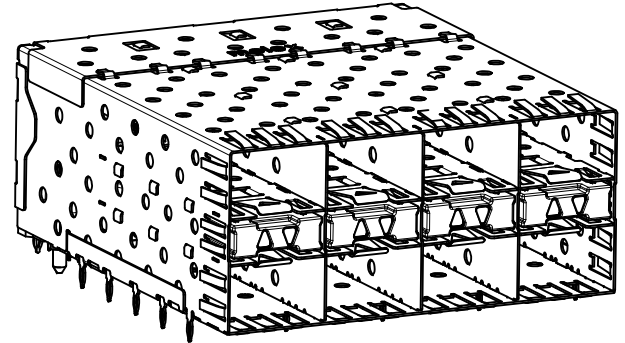
- NOTES:
- MATERIAL:
 - CAGE: NICKEL SILVER, THICKNESS: 0.25mm
 - CONNECTOR HOUSING: GLASS FILLED LIQUID CRYSTAL POLYMER (LCP), UL 94V-0, COLOR: BLACK
 - OVERMOLD TERMINAL HOUSING: GLASS FILLED LIQUID CRYSTAL POLYMER (LCP), UL 94V-0, COLOR: BLACK
 - TERMINALS: TIN BRASS
 - EMI GASKET: PHOS-BRONZE
 - LIGHTPIPE HOUSING: ZINC
 - LIGHTPIPES: POLYCARBONATE, COLOR: CLEAR
 - FINISHES:
 - CAGE ASSY (APPLIES TO VERSIONS WITH PLATED CAGES): 25 MICROMETERS MINIMUM MATTE NICKEL OVER 2 MICROMETERS MINIMUM COPPER.
 - TERMINALS: CONTACT AREA: 0.76 MICROMETERS MINIMUM HARD GOLD OVER 1.27 MICROMETERS MINIMUM NICKEL.
 - COMPLIANT TAIL - MATTE TIN/LEAD OPTION: 0.76 TO 1.52 MICROMETERS 90/10 MATTE TIN-LEAD OVER 0.76 MICROMETERS MINIMUM NICKEL.
 - COMPLIANT TAIL - MATTE TIN OPTION: 0.76 TO 1.52 MICROMETERS MATTE TIN OVER 0.76 MICROMETERS MINIMUM NICKEL.
 - LIGHT PIPE HOUSING: 80 MICROMETERS MINIMUM NICKEL OVER COPPER
 - EMI GASKET: 2.54 MICROMETERS MINIMUM NICKEL OVERALL
 - REFER TO PS-75310-001 PRODUCT SPEC FOR ALL ELECTRICAL, MECHANICAL, AND ENVIRONMENTAL SPECIFICATIONS.
 - LIGHTPIPE PAD LAYOUT IS FOR 0805 LOW-PROFILE LED PACKAGE, FOR OTHER RECOMMENDED LAYOUTS REFER TO MOLEX'S REPORT TS-75310-001.
 - REFER TO PK-75450-001 FOR ALL PACKAGING SPECIFICATIONS.
 - THE SURFACES CONFORM TO THE MOLEX COSMETIC SPEC PS-45499-002. ALL EXTERIOR SURFACES TO BE CLASS "B" SURFACE EXCEPT THE UNDERSIDE (CLASS "C") OF THE CAGE (SIDE TOWARD THE PCB) AND AS OTHERWISE NOTED.
 - DATE CODE LOCATION IS SHOWN ABOVE. DATE CODE FORMAT: DDDY MX A1
 DDD = DAY OF THE YEAR
 Y = YEAR
 MX = MOLEX
 A = ALPHA CHARACTER - INDICATES MANUFACTURING LINE
 1 = NUMERIC CHARACTER - INDICATES PRODUCTION SHIFT
 - REFER TO AS-76090-001 FOR HIGH SPEED ROUTING RECOMMENDATIONS.

PART NUMBER	LIGHTPIPE CONFIGURATION (SEE VIEWS ON SHEET 2)	COMPLIANT TAIL PLATING	CAGE PLATING
754500001	ALL 4 PORTS	MATTE TIN-LEAD	NONE
754500002	INNER 2 PORTS	MATTE TIN-LEAD	NONE
754500003	OUTER 2 PORTS	MATTE TIN-LEAD	NONE
754501001	ALL 4 PORTS	MATTE TIN-LEAD	POST-PLATED
754505001	ALL 4 PORTS	MATTE TIN	NONE
754505002	INNER 2 PORTS	MATTE TIN	NONE
754505003	OUTER 2 PORTS	MATTE TIN	NONE
754505004	OUTER 2 PORTS - SPECIAL CONFIG	MATTE TIN	NONE

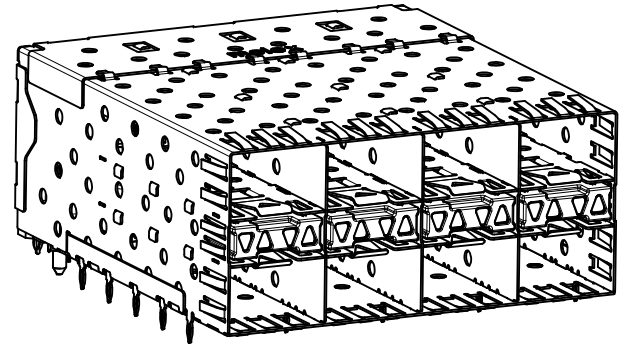
ADD 754505004 EC NO: UCP2011-2450 DRWN:BBARKER 2011/03/18 CHKD:MIIBARRA APPR:SMILLER 2011/11/09	QUALITY SYMBOLS	GENERAL TOLERANCES (UNLESS SPECIFIED)	DIMENSION STYLE	SCALE	DESIGN UNITS	THIRD ANGLE PROJECTION
	▽=0	mm INCH	MM ONLY	3:1	METRIC	
	▽=0	4 PLACES ± --- ± ---	DRAWN BY DATE	JLONG 08-04-2004	STACKED SFP 2X4 MEDIUM HEIGHT ASS'Y, PRESS-FIT TAILS WITH LIGHT PIPES	
	▽=0	3 PLACES ± --- ± ---	CHECKED BY DATE	JLONG 08-06-2004	MOLEX INCORPORATED	
		2 PLACES ± 0.13 ± ---	APPROVED BY DATE	RNELSON 02-15-2005	MOLEX INCORPORATED	
		1 PLACE ± 0.25 ± ---	MATERIAL NO.	SEE TABLE	DOCUMENT NO.	SD-75450-001
		ANGULAR ± 5 °	DRAFT WHERE APPLICABLE MUST REMAIN WITHIN DIMENSIONS	SIZE C	THIS DRAWING CONTAINS INFORMATION THAT IS PROPRIETARY TO MOLEX INCORPORATED AND SHOULD NOT BE USED WITHOUT WRITTEN PERMISSION	
					SHEET NO.	1 OF 5



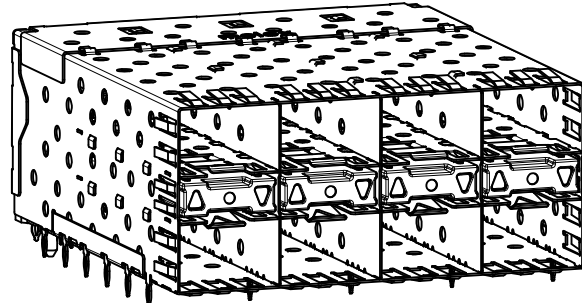
754500003 & 754505003
WITH OUTER LIGHT PIPES



754500002 & 754505002
WITH INNER LIGHT PIPES

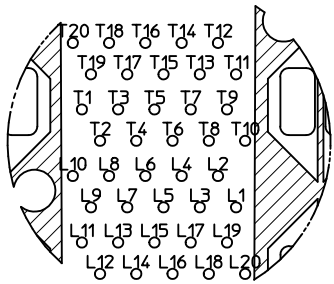


754500001, 754501001 & 754505001
WITH INNER/OUTER LIGHT PIPES

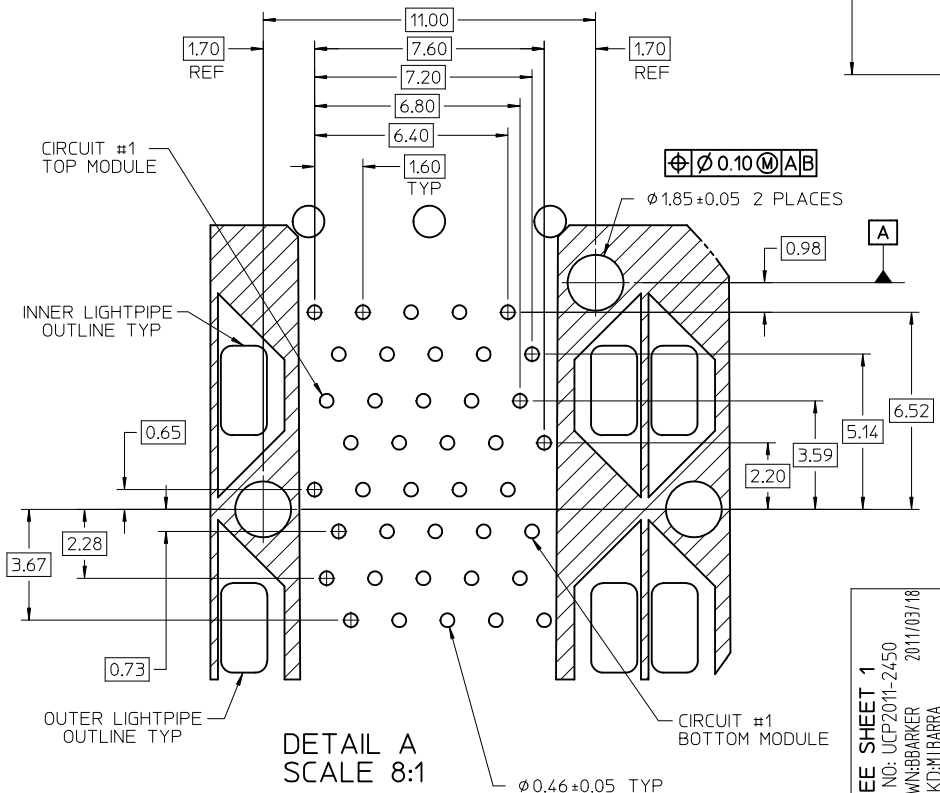
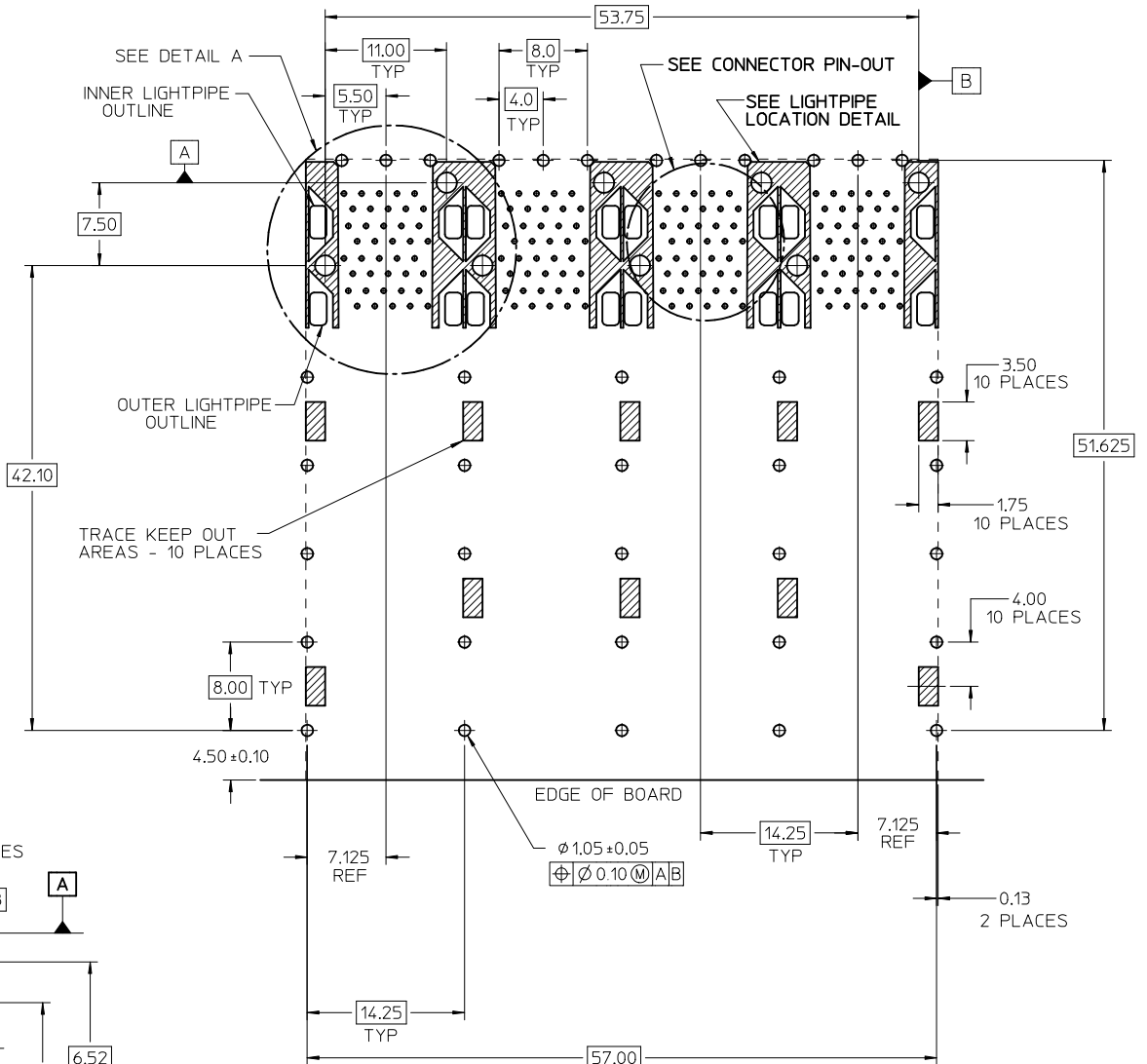


754505004
WITH OUTER LIGHTPIRES

SEE SHEET 1 IEC NO: UCP2011-2450 DRWN:BBARKER 2011/03/18 CHKD:MTBARRA APPR:SMILLER 2011/11/09	QUALITY SYMBOLS ▽=0 ▽=0 ▽=0	GENERAL TOLERANCES (UNLESS SPECIFIED) <table border="1"> <tr> <th></th> <th>mm</th> <th>INCH</th> </tr> <tr> <td>4 PLACES ±</td> <td>---</td> <td>±---</td> </tr> <tr> <td>3 PLACES ±</td> <td>---</td> <td>±---</td> </tr> <tr> <td>2 PLACES ±</td> <td>0.13</td> <td>±---</td> </tr> <tr> <td>1 PLACE ±</td> <td>0.25</td> <td>±---</td> </tr> </table>		mm	INCH	4 PLACES ±	---	±---	3 PLACES ±	---	±---	2 PLACES ±	0.13	±---	1 PLACE ±	0.25	±---	DIMENSION STYLE MM ONLY DRAWN BY DATE JLONG 08-04-2004 CHECKED BY DATE JLONG 08-06-2004 APPROVED BY DATE RNELSON 02-15-2005	SCALE 3:1 DESIGN UNITS METRIC THIRD ANGLE PROJECTION	TITLE STACKED SFP 2X4 MEDIUM HEIGHT ASS'Y, PRESS-FIT TAILS WITH LIGHT PIPES MOLEX INCORPORATED	MATERIAL NO. SEE SHEET 1 DOCUMENT NO. SD-75450-001 SHEET NO. 2 OF 5
		mm	INCH																		
4 PLACES ±	---	±---																			
3 PLACES ±	---	±---																			
2 PLACES ±	0.13	±---																			
1 PLACE ±	0.25	±---																			
DRAFT WHERE APPLICABLE MUST REMAIN WITHIN DIMENSIONS	THIS DRAWING CONTAINS INFORMATION THAT IS PROPRIETARY TO MOLEX INCORPORATED AND SHOULD NOT BE USED WITHOUT WRITTEN PERMISSION																				

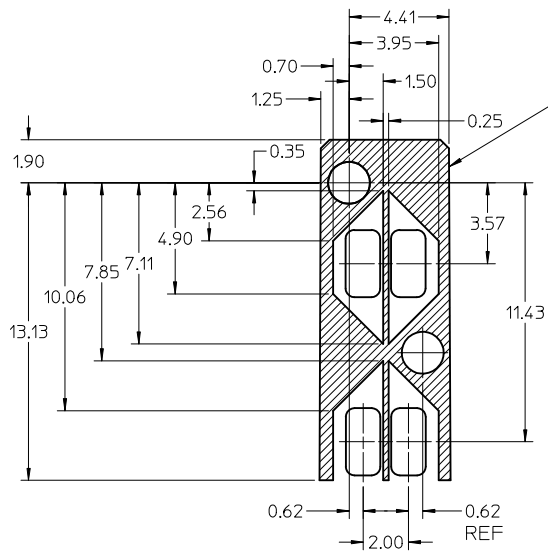


CONNECTOR PIN-OUT
SCALE 6:1



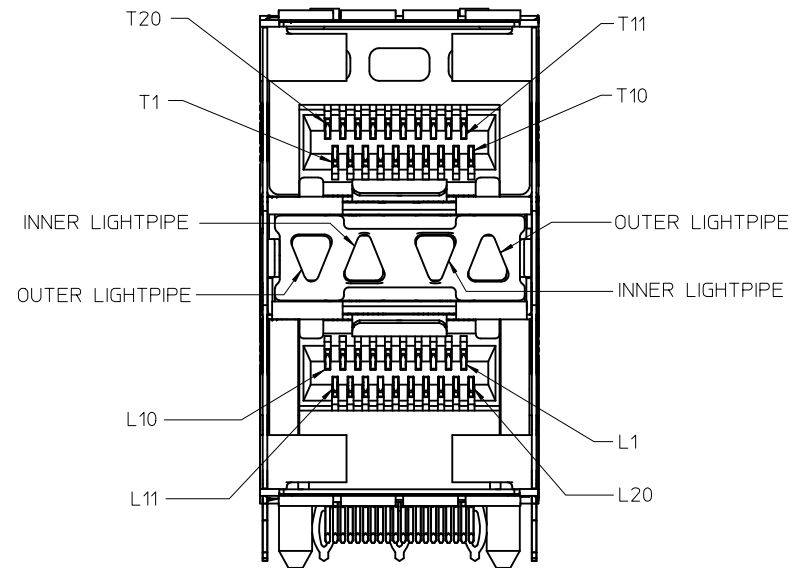
RECOMMENDED PCB LAYOUT - COMPONENT SIDE
 RECOMMENDED PCB THICKNESS - 2.36 MM (0.093 INCH)
 THE ENTIRE AREA OF THE CONNECTOR FOOTPRINT
 TO BE CONSIDERED THE KEEP OUT AREA FOR COMPONENTS
 (OTHER THAN LIGHT PIPE LED'S).
 THIS AREA IS INDICATED BY THE DASHED LINE

SEE SHEET 1 IEC NO: UCP2011-2450 DRW:BBARKER 2011/03/18 CHKD:MIIBARRA APPR:SMILLER 2011/11/09	QUALITY SYMBOLS $\nabla=0$ $\nabla=0$ $\nabla=0$	GENERAL TOLERANCES (UNLESS SPECIFIED) <table border="1"> <tr> <th></th> <th>mm</th> <th>INCH</th> </tr> <tr> <td>4 PLACES</td> <td>\pm---</td> <td>\pm---</td> </tr> <tr> <td>3 PLACES</td> <td>\pm---</td> <td>\pm---</td> </tr> <tr> <td>2 PLACES</td> <td>\pm0.13</td> <td>\pm---</td> </tr> <tr> <td>1 PLACE</td> <td>\pm0.25</td> <td>\pm---</td> </tr> </table>		mm	INCH	4 PLACES	\pm ---	\pm ---	3 PLACES	\pm ---	\pm ---	2 PLACES	\pm 0.13	\pm ---	1 PLACE	\pm 0.25	\pm ---	DIMENSION STYLE MM ONLY DRAWN BY DATE JLONG 08-04-2004 CHECKED BY DATE JLONG 08-06-2004 APPROVED BY DATE RNELSON 02-15-2005	SCALE 3:1 DESIGN UNITS METRIC THIRD ANGLE PROJECTION	TITLE STACKED SFP 2X4 MEDIUM HEIGHT ASS'Y, PRESS-FIT TAILS WITH LIGHT PIPES MOLEX INCORPORATED MOLEX INCORPORATED DOCUMENT NO. SD-75450-001	SHEET NO. 3 OF 5
		mm	INCH																		
4 PLACES	\pm ---	\pm ---																			
3 PLACES	\pm ---	\pm ---																			
2 PLACES	\pm 0.13	\pm ---																			
1 PLACE	\pm 0.25	\pm ---																			
DRAFT WHERE APPLICABLE MUST REMAIN WITHIN DIMENSIONS SIZE C	SEE SHEET 1	THIS DRAWING CONTAINS INFORMATION THAT IS PROPRIETARY TO MOLEX INCORPORATED AND SHOULD NOT BE USED WITHOUT WRITTEN PERMISSION																			



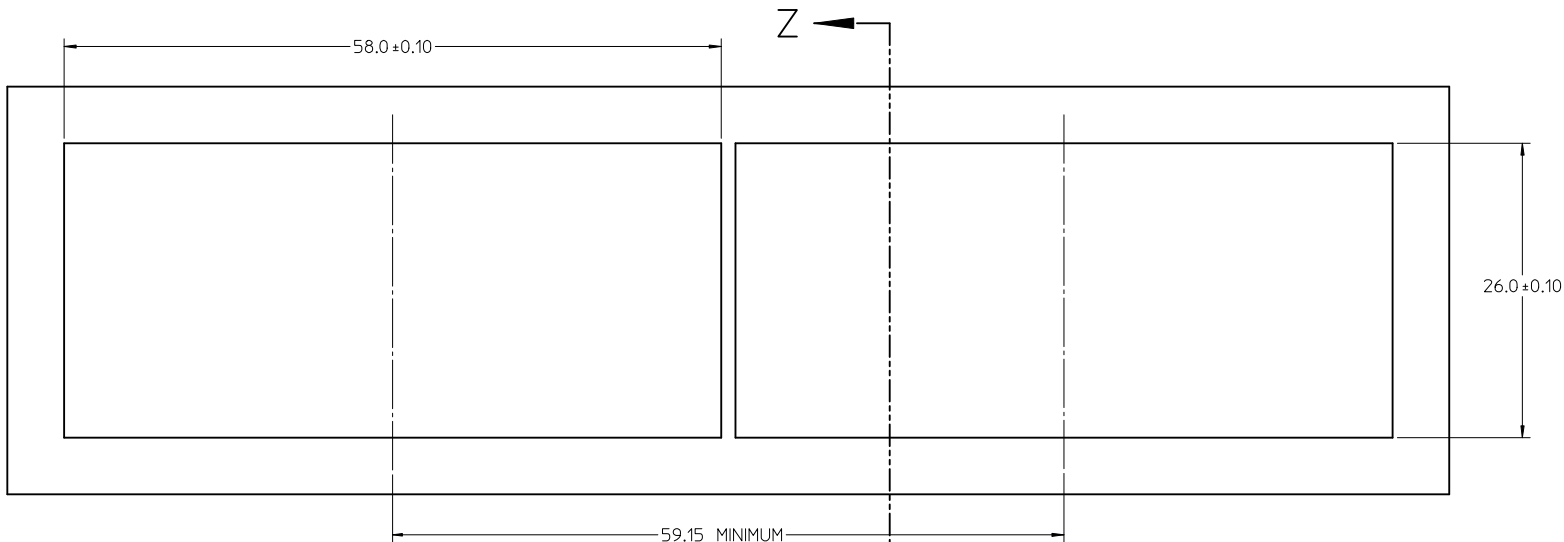
THE HATCHED AREA IN THIS VIEW INDICATES ZONES THAT ARE OCCUPIED BY THE PLASTIC HOUSING THAT SEATS AGAINST THE PCB AND BY THE VERTICAL METAL CAGE WALL THAT STOPS JUST SHORT OF THE PCB

DETAIL - LIGHT PIPE LOCATION AND OTHER ZONES
SCALE 6:1



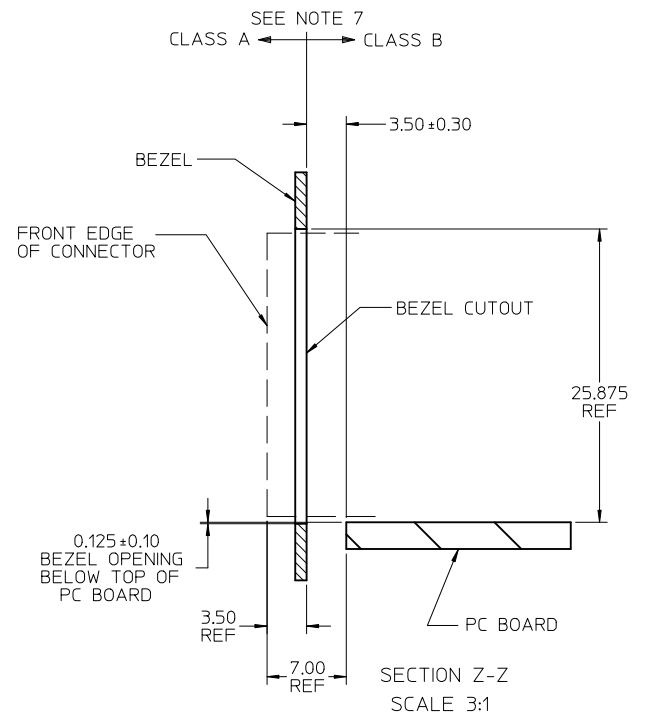
DETAIL B
SCALE 5:1
CIRCUIT NUMBERING
AND LIGHTPIPE
IDENTIFICATION

SEE SHEET 1 IEC NO: UCP2011-2450 DRWN:BBARKER 2011/03/18 CHKD:MIIBARRA APPR:SMILLER 2011/11/09	QUALITY SYMBOLS ▽=0 ▽=0 ▽=0	GENERAL TOLERANCES (UNLESS SPECIFIED)		DIMENSION STYLE MM ONLY		SCALE 3:1	DESIGN UNITS METRIC	THIRD ANGLE PROJECTION		
		mm	INCH	DRAWN BY JLONG	DATE 08-04-2004	STACKED SFP 2X4 MEDIUM HEIGHT ASS'Y, PRESS-FIT TAILS WITH LIGHT PIPES MOLEX INCORPORATED				
		4 PLACES ± ---	± ---	CHECKED BY JLONG	DATE 08-06-2004					
		3 PLACES ± ---	± ---	APPROVED BY RNELSON		DATE 02-15-2005	MATERIAL NO.		DOCUMENT NO.	
2 PLACES ± 0.13	± ---	ANGULAR ± 5 °		SEE SHEET 1		SD-75450-001		SHEET NO. 4 OF 5		
1 PLACE ± 0.25	± ---	DRAFT WHERE APPLICABLE MUST REMAIN WITHIN DIMENSIONS		SIZE C		THIS DRAWING CONTAINS INFORMATION THAT IS PROPRIETARY TO MOLEX INCORPORATED AND SHOULD NOT BE USED WITHOUT WRITTEN PERMISSION				



BEZEL CUTOUT CENTER SPACING DETAIL
BEZEL THICKNESS 0.8-2.6

59.15 MINIMUM



SEE SHEET 1 EC NO: UCP2011-2450 DRWN:BBARKER 2011/03/18 CHKD:MIIBARRA APPR:SMILLER 2011/11/09	QUALITY SYMBOLS	GENERAL TOLERANCES (UNLESS SPECIFIED)		DIMENSION STYLE	SCALE	DESIGN UNITS	THIRD ANGLE PROJECTION
	▽=0	mm	INCH	MM ONLY	3:1	METRIC	☉
	▽=0	4 PLACES ± ---	± ---	DRAWN BY	DATE	TITLE	
	▽=0	3 PLACES ± ---	± ---	JLONG	08-04-2004	STACKED SFP 2X4 MEDIUM HEIGHT ASS'Y, PRESS-FIT TAILS WITH LIGHT PIPES	
		2 PLACES ± 0.13	± ---	CHECKED BY	DATE	MOLEX INCORPORATED	
		1 PLACE ± 0.25	± ---	JLONG	08-06-2004	SD-75450-001	
		ANGULAR ± 5 °		APPROVED BY	DATE	SHEET NO.	
		DRAFT WHERE APPLICABLE MUST REMAIN WITHIN DIMENSIONS		RNELSON	02-15-2005	5 OF 5	
				MATERIAL NO.	DOCUMENT NO.	THIS DRAWING CONTAINS INFORMATION THAT IS PROPRIETARY TO MOLEX INCORPORATED AND SHOULD NOT BE USED WITHOUT WRITTEN PERMISSION	
				SEE SHEET 1			