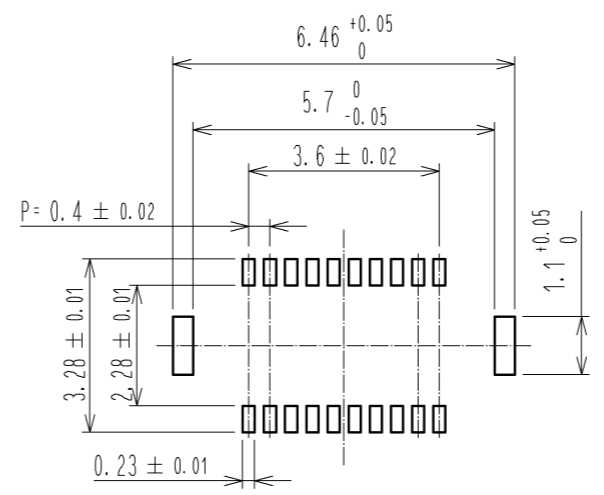
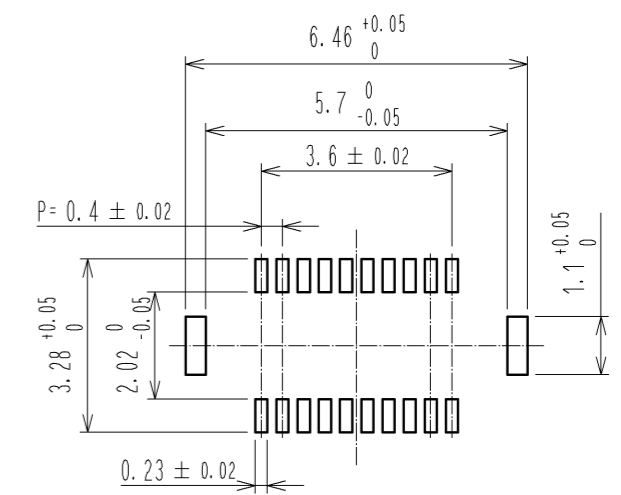


RECOMMENDED METAL MASK
OPENING PATTERN

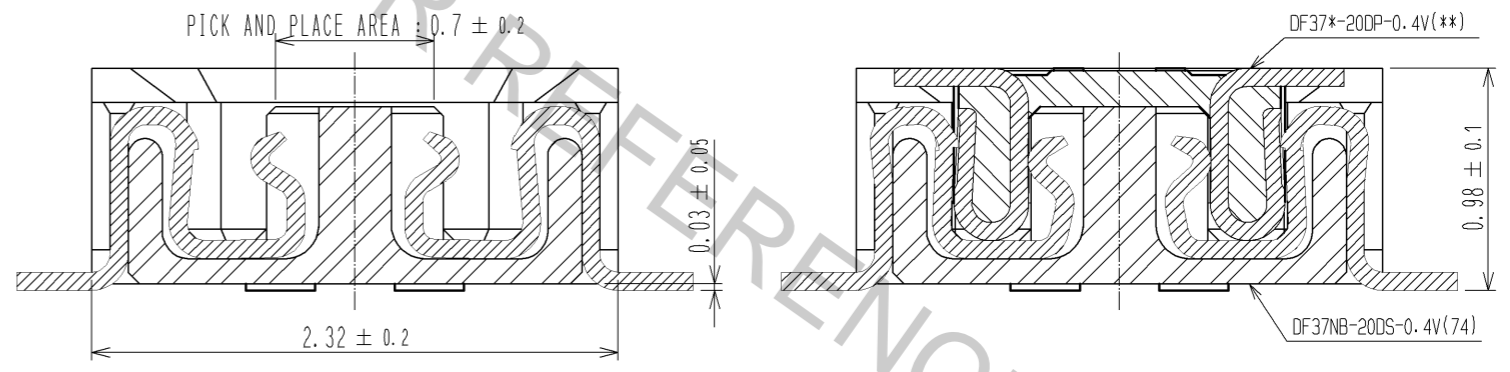


RECOMMENDED PATTERN



RECOMMENDED SOLDER PASTE THICKNESS: 120µm

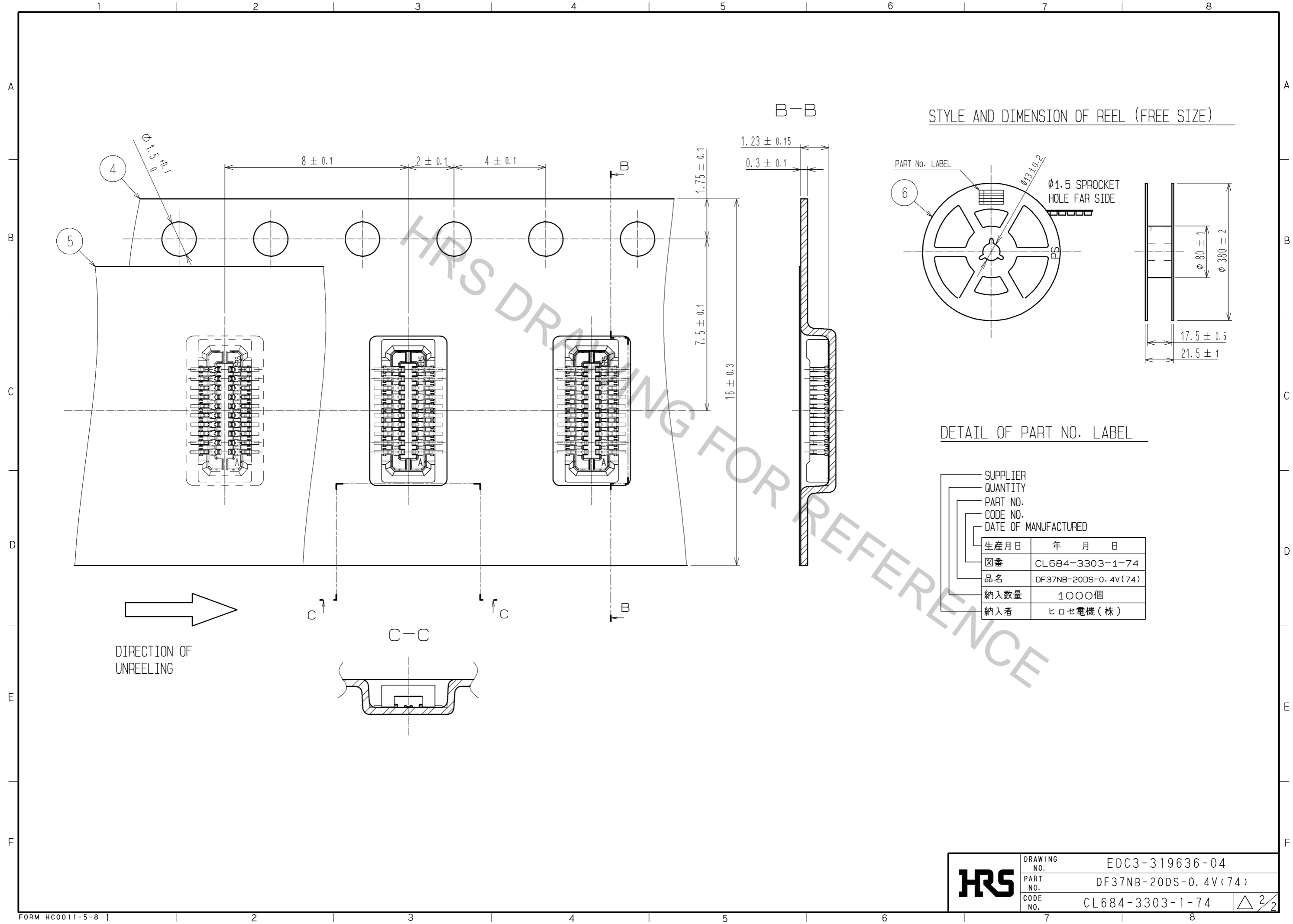
ENGAGEMENT FIGURE



- NOTE 1. ALL LEADS CO-PLANARITY SHALL BE 0.1 MAX.
 2. PER REEL : 1000 CONNECTORS.
 3. AT THE BEGINNING OF THE REEL, 100 mm AT MIN SHALL BE EMPTY POCKETS.
 AT THE END OF THE REEL, 160 mm AT MIN SHALL BE EMPTY.
 4 CONTACT PLATING SPECIFICATIONS.
 CONTACT AREA : GOLD 0.1µm MIN.
 SMT LEAD : GOLD 0.05µm MIN.
 UNDERPLATING : NICKEL 1µm MIN.
 (SURFACE : SEALING)
 5 METAL HOLD DOWN PLATING SPECIFICATIONS.
 MOUNTING AREA: GOLD 0.05µm MIN.
 UNDERPLATING : NICKEL 1µm MIN.
 6. PEEL FORCE OF COVER TAPE REFERS TO JIS C 0806.

3	PHOSPHOR BRONZE	5	6	PS	PLASTIC REEL (BLACK)
2	PHOSPHOR BRONZE	4	5	POLYESTER	CLEAR(COVER TAPE)
1	LCP	UL94V-0, BLACK	4	PS	CLEAR(EMBOSSED CARRIER TAPE)
NO.	MATERIAL	FINISH . REMARKS	NO.	MATERIAL	FINISH . REMARKS
UNITS mm		SCALE FREE	COUNT	DESCRIPTION OF REVISIONS	
HRS HIROSE ELECTRIC CO., LTD.		APPROVED : KH. IKEDA	09.04.01	DESIGNED	EDC3-319636-04
		CHECED : TS. MIYAZAKI	09.03.31	CHECKED	
		DESIGNED : RT. SHIMIZU	09.03.16	DATE	
		DRAWN : RT. SHIMIZU	09.03.16	PART NO. DF37NB-20DS-0.4V(74)	
				CODE NO.	CL684-3303-1-74

Apr.1.2017 Copyright 2017 HIROSE ELECTRIC CO., LTD. All Rights Reserved.



HRS	DRAWING NO.	EDC3-319636-04
	PART NO.	DF37NB-20DS-0.4V(74)
	CODE NO.	CL684-3303-1-74
		△ 2/2