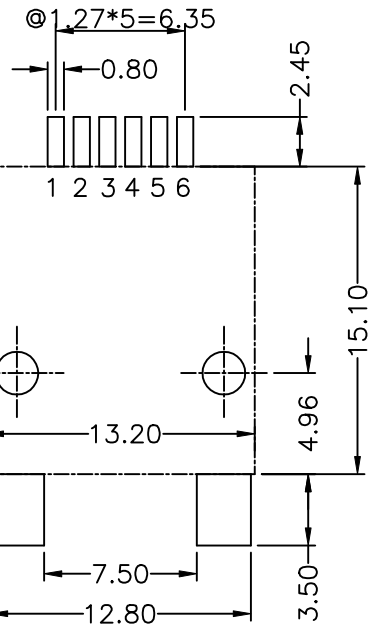
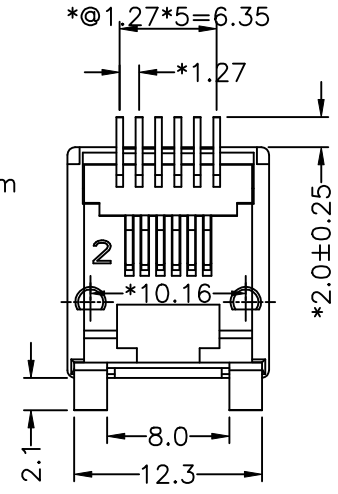
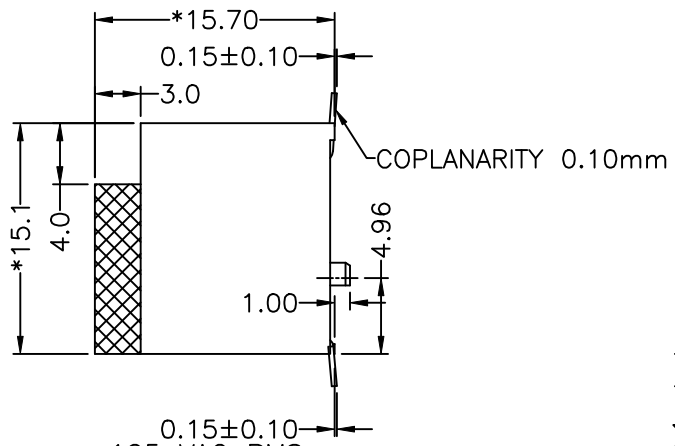
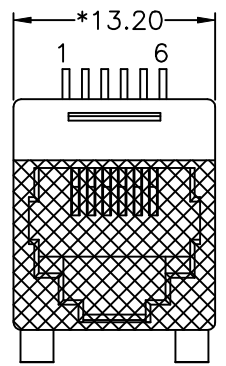


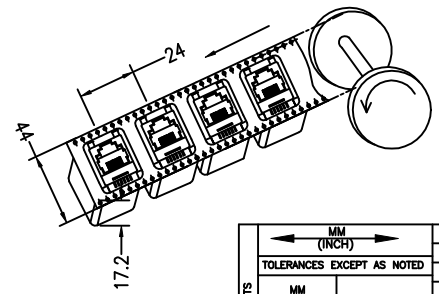
REVISION RECORD				
REV	ECO	DESCRIPTION	DRFT	CHKD
1		NOTES MODIFY	Among	
2		NOTES MODIFY	10/27/04	
3		ADD PART NO	SAMMY	
4		DRAWING MODIFY	02/03/05	
			02/17/05	
			JAMVIN	
			12/5/05	



PCB LAYOUT
COMPONENT SIDE SHOWN

NOTES:

- ELECTRICAL:**
- 1. VOLTAGE RATING : 125 VAC RMS.
 - 2. CURRENT RATING : 1.5 AMP.
 - 3. CONTACT RESISTANCE : 35 MILLIOHMS MAX.
 - 4. INSULATION RESISTANCE : 1000 MEGOHMS MIN @ 500 VDC.
 - 5. DIELECTRIC STRENGTH : 1000 VAC RMS 60Hz, 1MIN.
- MECHANICAL:**
- 1. HOUSING MATERIAL : FR52
 - 2. HOUSING COLOR : BLACK
 - 3. CONTACT MATERIAL : PHOSPHOR BRONZE t=0.35mm.
 - 4. PLATING : GOLD PLATING OVER NICKEL.
 - 5. OPERATING LIFE : 750 CYCLES MIN.
 - 6. PCB RETENTION POST-SOLDER: 10 LBS MIN.
- ENVIRONMENTAL:**
- 1. STORAGE : -40°C TO +85°C.
 - 2. OPERATION: -40°C TO +85°C.
- MATES WITH MODULAR PLUG CONFORMING TO
FCC PART 68, SUBPART F.
CUL FILE NO: E163191
PART NUMBER: E526X-700BUX



- 4-4C
- 6-6C
- 1-3u"
- 3-15u"
- 5-50u"
- 2-6u"
- 4-30u"

DETACHED LISTS	MM	±	DFTO Syntge	DATE 3/13/2004	
	.0	±0.20	CHKD/ANGIE	DATE 2005/12/3	
	.00	±0.15	MFO	DATE	
	.000	±0.075	APPVLLUSHENG	DATE 2005/12/3	
ANGLES	±	QTY			
THIRD ANGLE PROJECTION			FINISH		
		SCALE			

FULL RISE ELECTRONIC CO., LTD			
TITLE (W/O PANEL STOP)			
TOP ENTRY PCB JACK 6P			
DRAWING NO. GE523106		SIZE	REV
/PART NO. SEE NOTE		A3	4
DO NOT SCALE DRAWING		SHEET X	OF Y