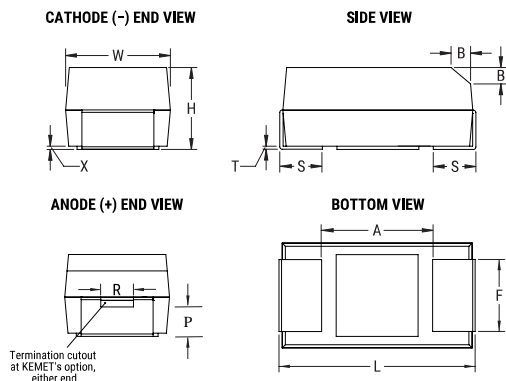


T521, Tantalum, Polymer Tantalum, 470 uF, 20%, 16 VDC, SMD, Polymer, Molded, Low ESR, Non-Combustible, 70 mOhms, 7360, Height Max = 4.3mm



General Information	
Supplier:	KEMET
Series:	T521
Dielectric:	Polymer Tantalum
Style:	SMD Chip
Description:	SMD, Polymer, Molded, Low ESR, Non-Combustible
Features:	Low ESR, High Voltage
RoHS:	Yes
Termination:	Nickel Palladium Gold

Dimensions	
Footprint	7360
L	7.3mm +/-0.3mm
W	6mm +/-0.3mm
H	4mm +/-0.3mm
T	0.13mm REF
S	1.3mm +/-0.3mm
F	4.1mm +/-0.1mm
A	3.3mm MIN
X	0.1mm +/-0.1mm

Specifications	
Capacitance:	470 uF
Capacitance Tolerance:	20%
Voltage DC:	16 VDC (105C)
Temperature Range:	-55/+105C
Rated Temperature:	105C
Dissipation Factor:	10.00% 120Hz 25C
Failure Rate:	N/A
Resistance:	70 mOhms (100kHz 25C)
Ripple Current:	2070 mA (100kHz 45C), 1449 mA (85C), 517.5 mA (105C)
Leakage Current:	752 uA (5min 25C)

Packaging Specifications	
Packaging:	T&R, 330mm
Packaging Quantity:	2000