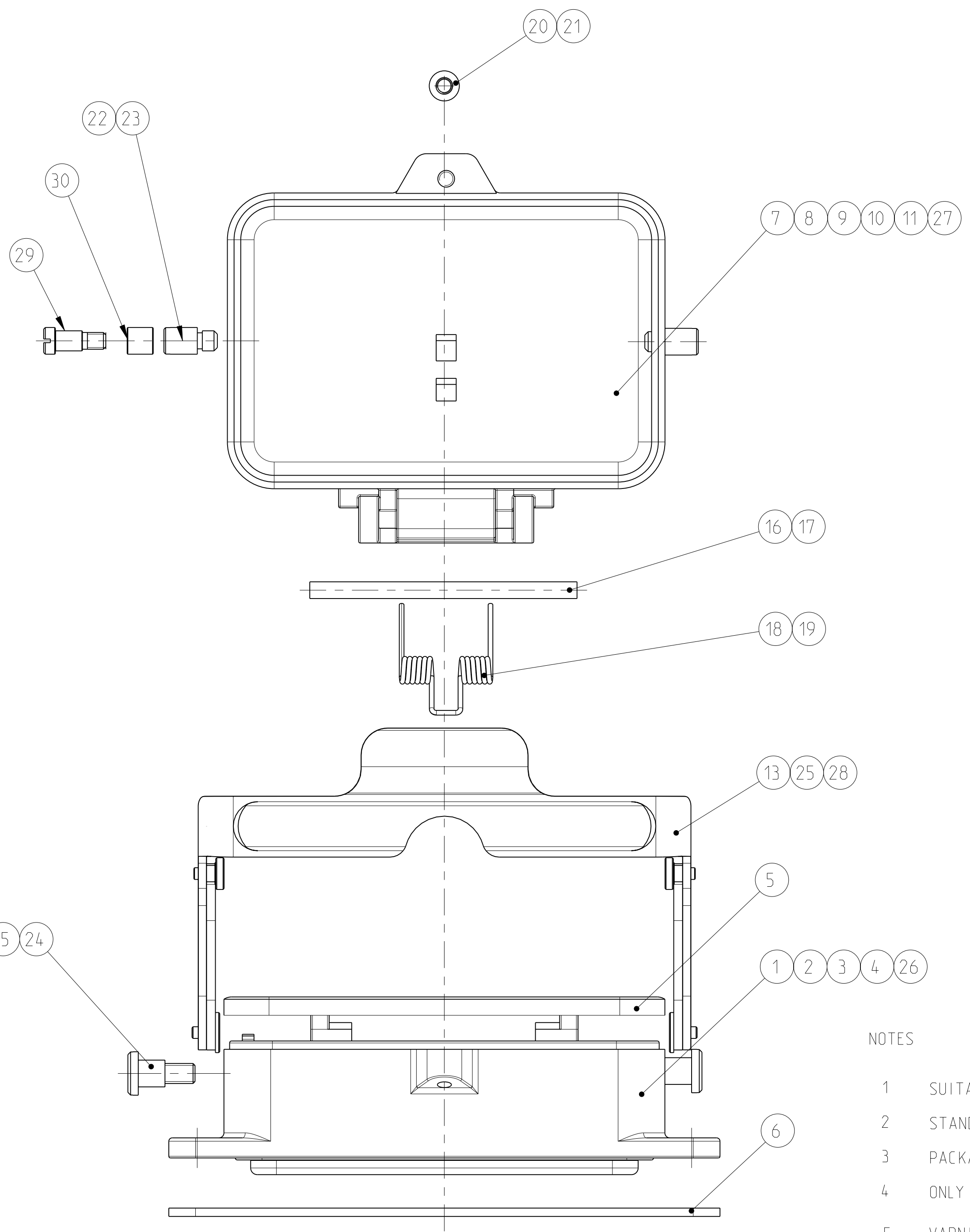
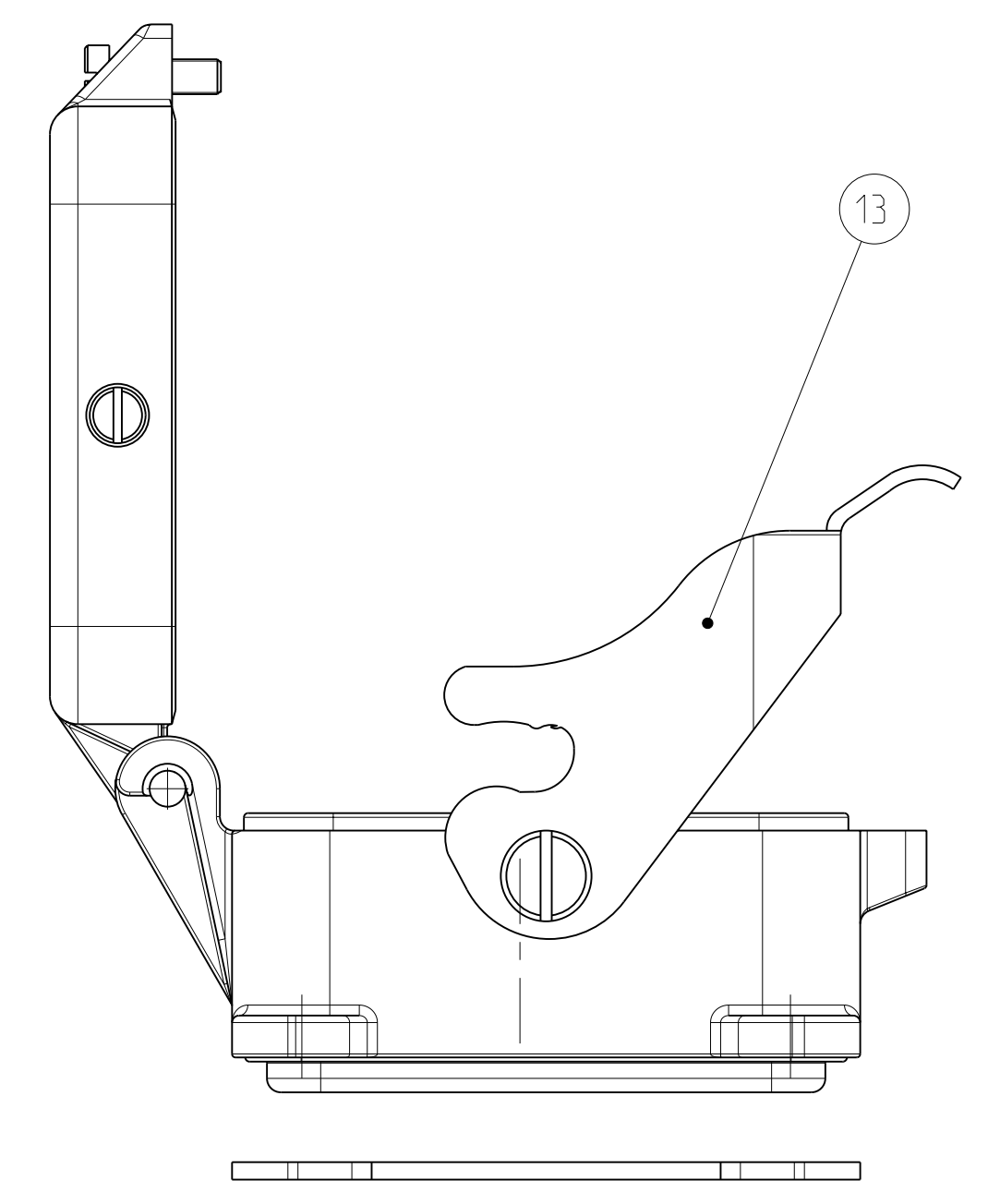
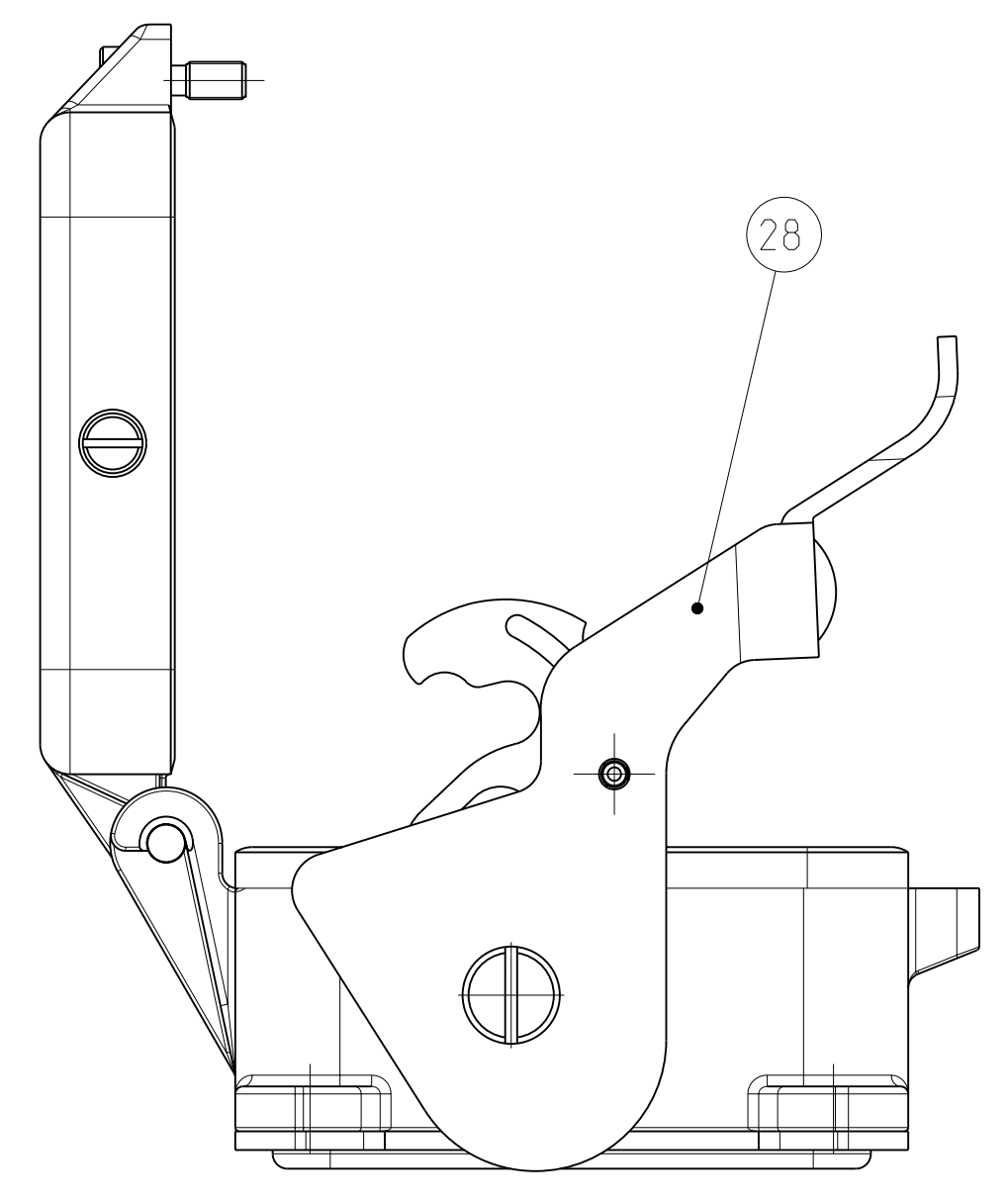
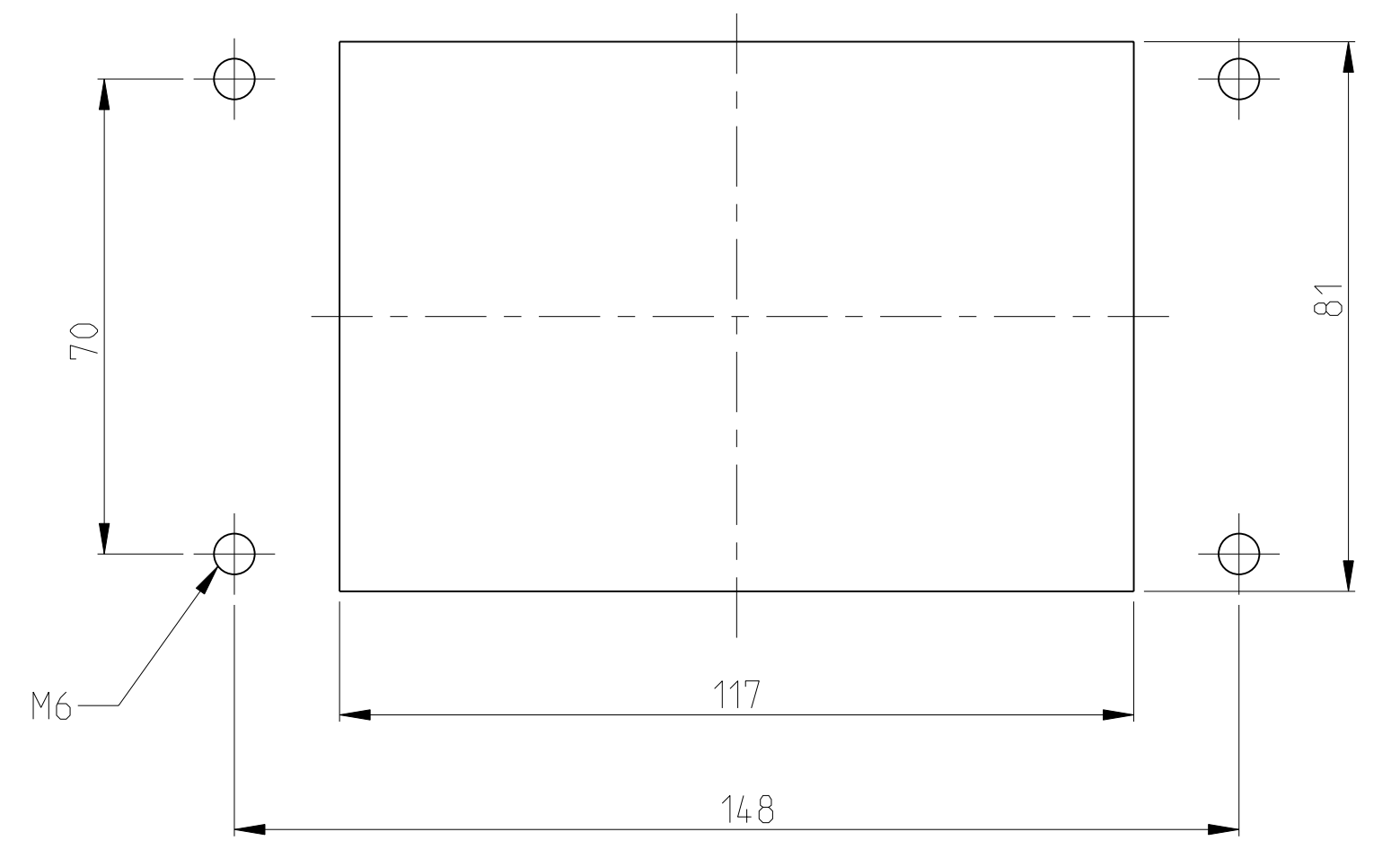


LOC	DIST	REV	DESCRIPTION	DATE	BY	APPV
A1	-	B5	PN 29 and 30 added ECR-08-029639	25NOV2008	SR	PF
		B6	table changed ECR-09-005558	10MAR2009	SR	AR

PANEL CUT-OUT



NOTES

- SUITABLE HOOD: SERIES HB.48
- STANDARD: DIN EN 61984, DIN EN 60664-1
- PACKAGING: QUANTITY 3 PIECES
- ONLY FOR PN 0-2: SURFACE MOUNTED HOUSING WITHOUT HTS-LOGO
- VARNISHING INSIDE HOUSING NOT REQUIRED

QTY	DESCRIPTION	MATERIAL	SURFACE	COLOR	ITEM	NOTES						
2	SLIDE SPOOL HB.48	X6CrMoS17	BLANC		30							
2	CLIP BOLT	STAINLESS STEEL	BLANC		29	M5						
1	SIDE CLIP STÄUBLI	STAINLESS STEEL	BLANC		28							
1	COVER	ALUMINIUM		GREY	27	NEUTRAL, M5 - THREAD						
1	SURFACE MOUNTED HOUSING BOTTOM ENTRY	ALUMINIUM		GREY	26	NEUTRAL, MILLED (B5)						
1	1	1	1	1	1	1	SIDE CLIP	STEEL	ZINK PLATED	BLUE	25	PURCHASED PART FA. WALTER
2	2	2	2	2	2	2	CROSS RECES PAN HEAD SCREW	STEEL	ZINK PLATED	BLUE	24	M6x8.4
(B5)	2	2	2	2	2	2	CLIP BOLT	STAINLESS STEEL	BLANC		23	
	1	1	1	1	1	1	CLIP BOLT	STEEL	ZINK PLATED	BLUE	22	
	1	1	1	1	1	1	CYLINDER SCREW	STAINLESS STEEL	BLANC		21	M5x16
	1	1	1	1	1	1	CYLINDER SCREW	STEEL	ZINK PLATED	BLUE	20	M5x16
	1	1	1	1	1	1	LEG SPRING	STAINLESS STEEL	BLANC		19	
	1	1	1	1	1	1	LEG SPRING	STEEL	ZINK PLATED	BLUE	18	
	1	1	1	1	1	1	RIVET PIN	STAINLESS STEEL	BLANC		17	5x80
	1	1	1	1	1	1	RIVET PIN	STEEL	ZINK PLATED	BLUE	16	5x80
	2	2	2	2	2	2	CROSS RECES PAN HEAD SCREW	STAINLESS STEEL	BLANC		15	M6x8
SUPERSEDED	1	1	1	1	1	1	SIDE CLIP	STEEL	ZINK PLATED	BLUE	14	SONDER
SUPERSEDED	1	1	1	1	1	1	SIDE CLIP	STAINLESS STEEL	BLANC		13	
	1	1	1	1	1	1	SIDE CLIP	STEEL	ZINK PLATED	BLUE	12	
	1	1	1	1	1	1	COVER	ALUMINIUM		WITHOUT VARNISH	11	
	1	1	1	1	1	1	COVER	ALUMINIUM		GREY	10	BOLT OF THE COVER
	1	1	1	1	1	1	COVER	ALUMINIUM		GREY	9	NEUTRAL
	1	1	1	1	1	1	COVER	ALUMINIUM	ALUMINIUM OXID	BLACK	8	
	1	1	1	1	1	1	COVER	ALUMINIUM		GREY	7	
	1	1	1	1	1	1	FLANGE SEAL	NEOPRENE		BLACK	6	
	1	1	1	1	1	1	PROFIL SEAL	NEOPRENE		BLACK	5	
	1	1	1	1	1	1	SURFACE MOUNTED HOUSING BOTTOM ENTRY	ALUMINIUM		WITHOUT VARNISH	4	
	1	1	1	1	1	1	SURFACE MOUNTED HOUSING BOTTOM ENTRY	ALUMINIUM		GREY	3	NEUTRAL/EJECTOR COUNTERSANK
	1	1	1	1	1	1	SURFACE MOUNTED HOUSING BOTTOM ENTRY	ALUMINIUM	ALUMINIUM OXID	BLACK	2	
	1	1	1	1	1	1	SURFACE MOUNTED HOUSING BOTTOM ENTRY	ALUMINIUM		GREY	1	

HB.48.AGD-LB	HB.48.AGD-LB	HB.48.AGD-LB	HB.48.AGD-LB	HB.48.AGD-LB	HB-K.48.AGD-LB	HB.48.AGD-LB
DIMENSIONS: mm						
TOLERANCES UNLESS OTHERWISE SPECIFIED:						
MATERIAL: - FINISH: -						
DWN: R. SCHNEIDER 29MAR2007						
CHK: SCHNURPFIL 29MAR2007						
APVD: -						
PRODUCT SPEC: -						
APPLICATION SPEC: -						
WEIGHT: -						
CUSTOMER DRAWING: -						
NAME: SURFACE MOUNTED HOUSING BOTTOM ENTRY						
HB.48.AGD-LB						
SIZE: A1 00779 C=1102389						
SCALE: 5:1 SHEET 1 OF 1 REV: B6						