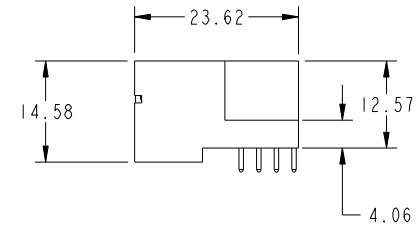
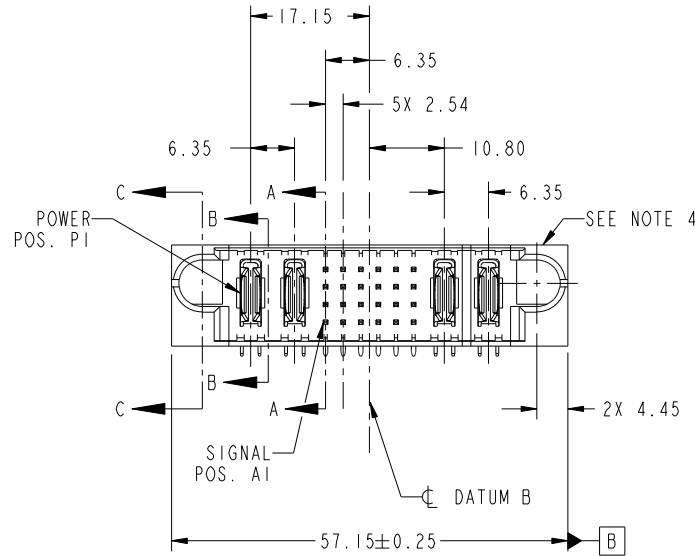


Tous droits strictement reserves. Reproduction ou communication a des tiers interdite sous quelque forme que ce soit sans autorisation écrite du propriétaire. Propriete de c FCI. Droits de reproduction FCI.



All rights strictly reserved. Reproduction or issue to third parties in any form whatever is not permitted without written authority from the proprietor. Property of FCI. Copyright FCI.

PRODUCT NO.	ROWS	POWER		SIGNAL						POWER		E2	
		E1	P1	P2	1	2	3	4	5	6	P3		P4
51730-174 NOTE 3	D C B A		PA	PA	UUUUUU	TTTTTT	SSSSSS	RRRRRR	RRRRRR	SSSSSS	TTTTTT	UUUUUU	



CODE	DIM "M" MATING LENGTH	CONTACT TYPE
U	[6.86]	SIGNAL
T	[6.86]	SIGNAL
S	[6.86]	SIGNAL
R	[6.86]	SIGNAL
PA	[N/A]	POWER
G	[5.59]	SIGNAL
F	[5.59]	SIGNAL

mat'l code				SEE NOTE		tolerances unless otherwise specified		CUSTOMER		FCI	
ltr	ecn no.	dr	date	linear	0.X ±0.5	projection		COPY		www.fciconnect.com	
A	DG10-0163	AL	05/04/10	angles	0.XX ±0.25	M		title		2P + 24S + 2P	
				dr	0.XXX ±0.1	MM		product family		PwrBlade	
				enrg	0° ±2°	scale		size		code	
				chr	Anson Liu 05/04/10	1:1		dwg no		213	
				appd	Jerome Chen 05/04/10			51730-174		sheet	
					PM ZHENG 05/04/10			A		1 of 4	
					JOSEPH HSIA 05/04/10						
sheet index	revision sheet	A	A	A	A						
		1	2	3	4						
								cage code		22526	

Pro/E

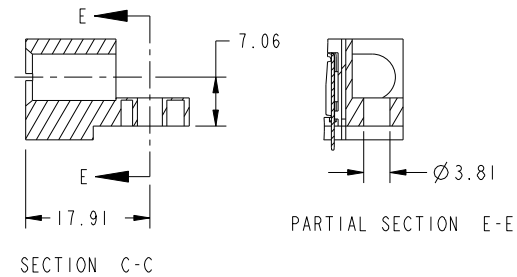
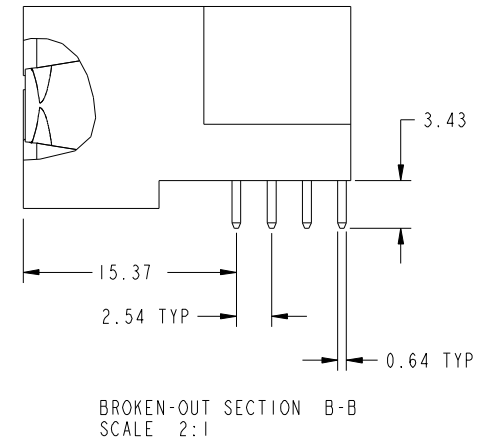
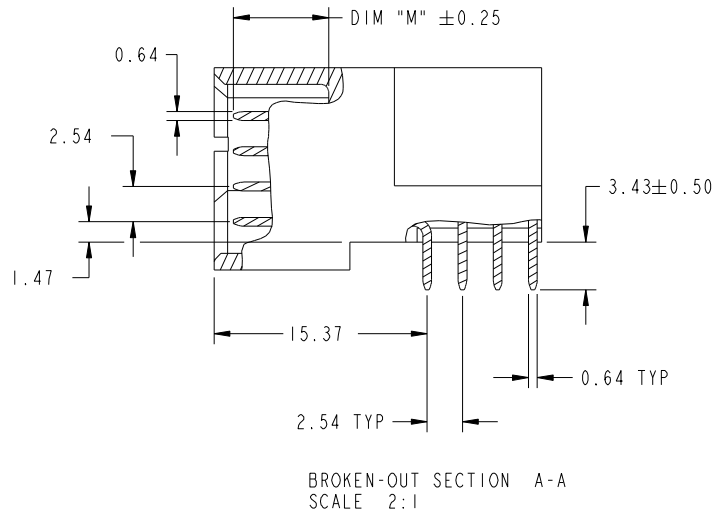
cage code 22526

Tous droits strictement reserves. Reproduction ou communication a des tiers interdite sous quelque forme que ce soit sans autorisation écrite du propriétaire. Propriete de c FCI. Droits de reproduction FCI.

All rights strictly reserved. Reproduction or issue to third parties in any form whatever is not permitted without written authority from the proprietor. Property of FCI. Copyright FCI.



PRODUCT NUMBER
51730-174--
NOTE: 3



mat'l code		SEE NOTE		tolerances unless otherwise specified		CUSTOMER		FCI	
ltr	ecn no.	dr	date	linear	0.X ±0.5	COPY		www.fciconnect.com	
A					0.XX ±0.25	projection		title	
				angles	0.XXX ±0.1	⊕		2P + 24S + 2P RIGHT ANGLE SOLDER HEADER	
				dr	0° ±2°	MIM		product family PwrBlade code	
				enr	Anson Liu 05/04/10	scale		size	
				chr	Jerome Chen 05/04/10	1:1		dwg no	
				appd	PM ZHENG 05/04/10			A 51730-174	
					JOSEPH HSIA 05/04/10			sheet	
sheet index	revision sheet							2 of 4	

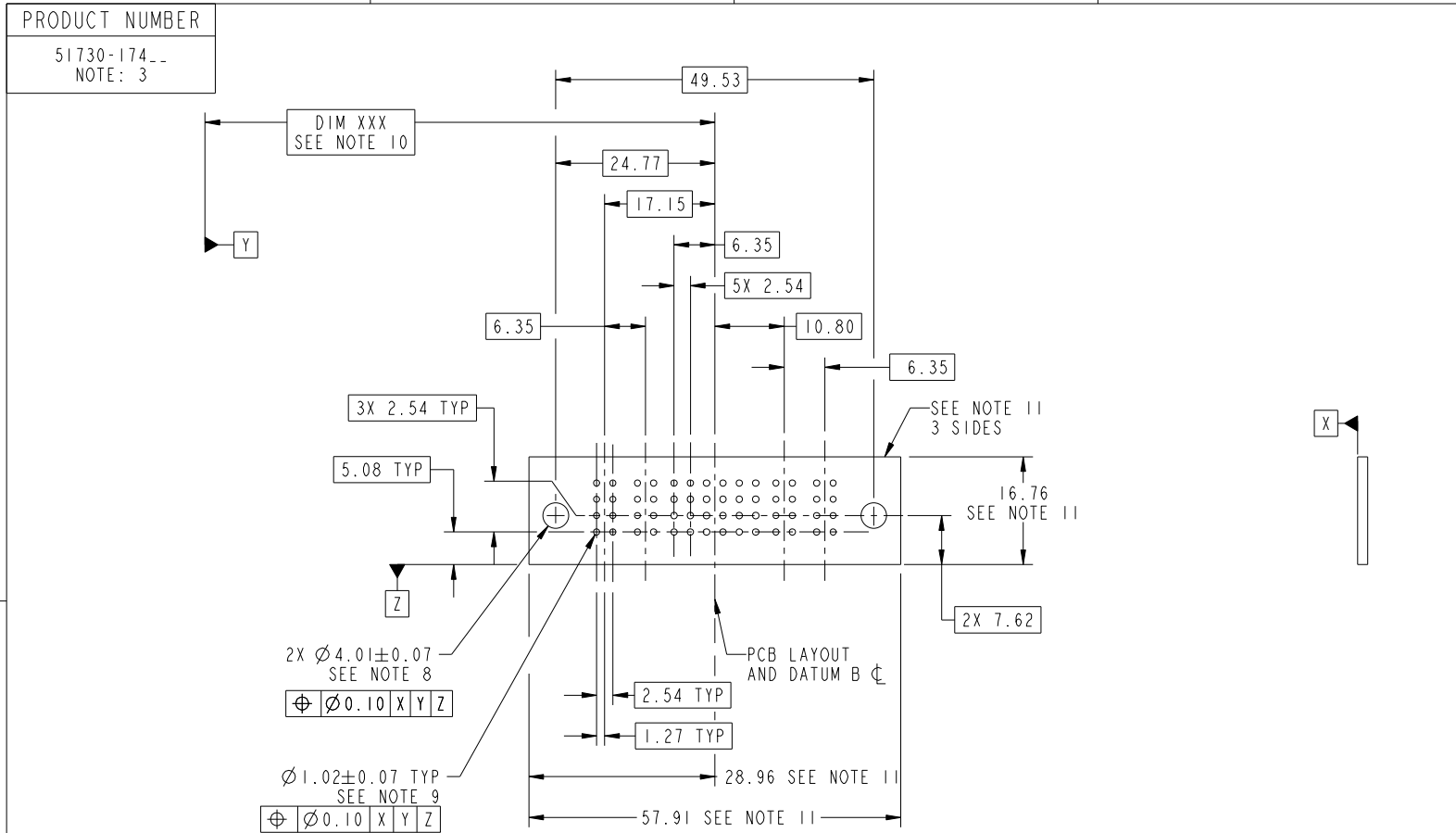
cage code 22526

Pro/E

Tous droits strictement reserves. Reproduction ou communication a des tiers interdite sous quelque forme que ce soit sans autorisation écrite du propriétaire. Propriete de c FCI. Droits de reproduction FCI.



All rights strictly reserved. Reproduction or issue to third parties in any form whatever is not permitted without written authority from the proprietor. Property of FCI. Copyright FCI.



RECOMMENDED PCB LAYOUT

mat'l code		SEE NOTE		tolerances unless otherwise specified		CUSTOMER		FCI	
ltr	ecn no.	dr	date	linear	0.X ±0.5	COPY		www.fciconnect.com	
A				angles	0.XX ±0.25	projection		title	
				dr	0.XXX ±0.1	MIM		2P + 24S + 2P	
				enr	0° ±2°	scale		RIGHT ANGLE SOLDER HEADER	
				chr	Anson Liu 05/04/10	1:1		product family	
				appd	Jerome Chen 05/04/10	A		PwrBlade	
					PM ZHENG 05/04/10			code	
					JOSEPH HSIA 05/04/10			213	
sheet index	revision sheet							size	
								dwg no	
								51730-174	
								sheet	
								3 of 4	

cage code 22526

Pro/E

Tous droits strictement reserves. Reproduction ou communication a des tiers interdite sous quelque forme que ce soit sans autorisation écrite du propriétaire. Propriete de c FCI. Droits de reproduction FCI.



All rights strictly reserved. Reproduction or issue to third parties in any form whatever is not permitted without written authority from the proprietor. Property of FCI. Copyright FCI.

PRODUCT NUMBER
51730-174--
NOTE: 3

NOTES:

1. DIMENSIONS AND TOLERANCES ARE IN ACCORDANCE WITH ASME Y14.5M, 1994 UNLESS OTHERWISE SPECIFIED.

CONNECTOR NOTES:

- 2. HOUSING MATERIAL: UL 94 V-0 GLASS FILLED HIGH-TEMP THERMOPLASTIC
POWER CONTACT MATERIAL: COPPER ALLOY
SIGNAL PIN MATERIAL: COPPER ALLOY
- 3. SEE ITEM 1 & 2 IN PRINT 10064183 FOR PLATING SPEC OF 51730-174 AND 51730-174LF RESPECTIVELY.
- 4. MANUFACTURER'S NAME, DATE CODE AND OPTIONAL P/N TO APPEAR ON THIS SURFACE. THE P/N CAN BE OMITTED IF THERE IS NOT ENOUGH SPACE ON THIS SURFACE.
- 5. PRODUCT SPECIFICATION GS-12-149.
APPLICATION SPECIFICATION BUS-20-067.
- 6. PACKAGED IN TRAYS.

PCB NOTES:

- 7. ALL HOLE DIAMETERS ARE FINISHED HOLE SIZE.
- 8. MOUNTING HOLES, WHERE APPLICABLE, ARE UNPLATED.
- 9. $\varnothing 1.151 \pm 0.025$ DRILLED HOLES PLATED WITH
0.008 MIN SnPb OR Sn OVER 0.03
TO 0.08 Cu PLATING TO ACHIEVE
 $\varnothing 1.02 \pm 0.07$ HOLE.
- 10. "DIM XXX" TO BE DETERMINED BY THE CUSTOMER.
- 11. CONNECTOR KEEP-OUT ZONE.

mat'l code				SEE NOTE		tolerances unless otherwise specified		CUSTOMER		FCI		www.fciconnect.com	
ltr	ecn no.	dr	date	linear	0.X ± 0.5		COPY		projection	title			
A					0.XX ± 0.25		MIM			2P + 24S + 2P RIGHT ANGLE SOLDER HEADER			
					0.XXX ± 0.1		← MIM →			product family PwrBlade code			
				angles	0° ± 2°		scale		size		sheet		
				dr	Anson Liu	05/04/10	1:1		A		213		
				enrg	Jerome Chen	05/04/10			51730-174		4 of 4		
				chr	PM ZHENG	05/04/10							
				appd	JOSEPH HSIA	05/04/10							
sheet index		revision sheet											

cage code 22526

Pro/E