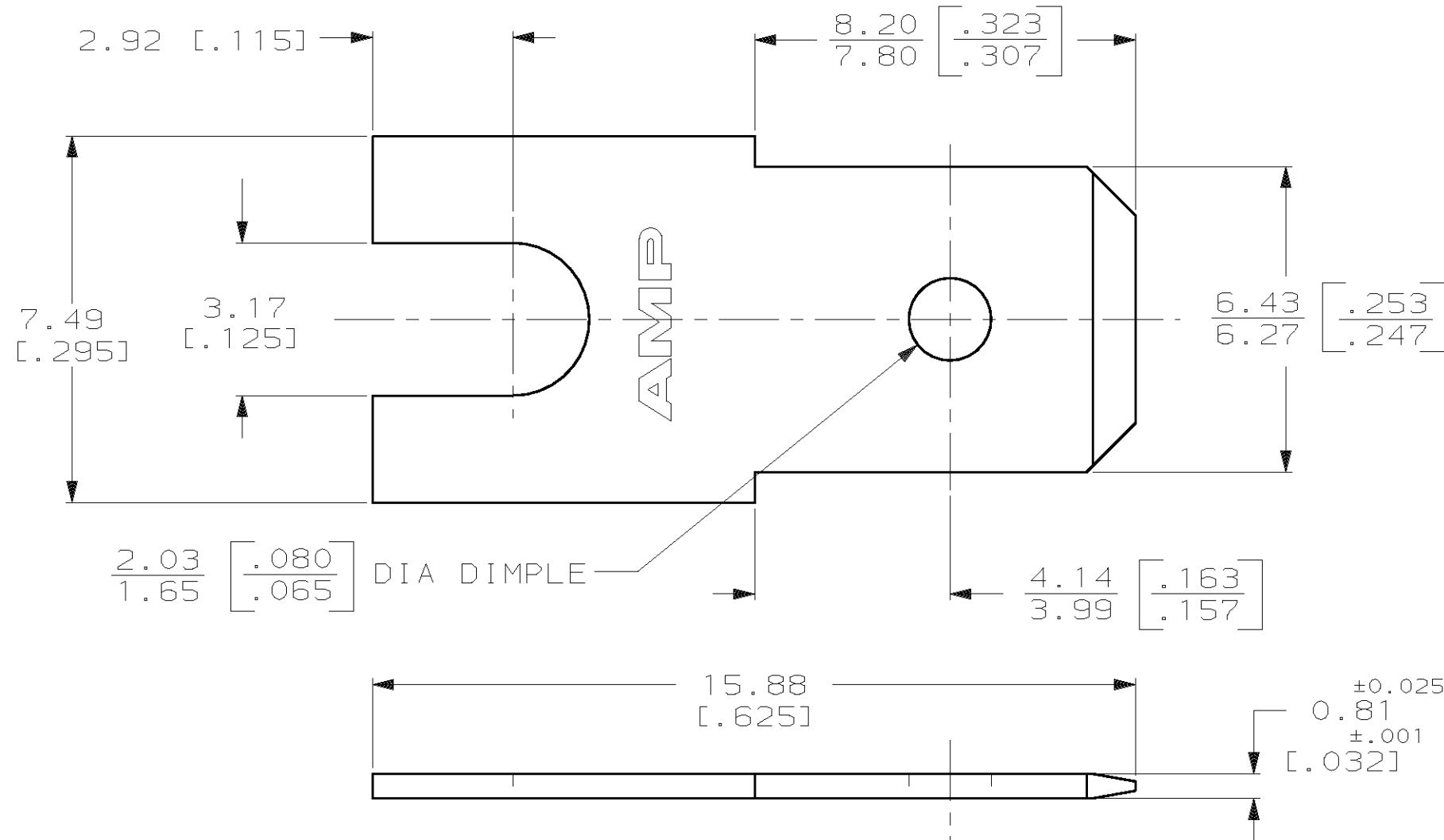


THIS DRAWING IS UNPUBLISHED. RELEASED FOR PUBLICATION, 19 .  
 © COPYRIGHT 19 BY AMP INCORPORATED. ALL INTERNATIONAL RIGHTS RESERVED.

LOC	DIST	P	F	ZONE	LTR	DESCRIPTION	DATE	APPD
AF	50				G	REV PER 0L10-0205-97	5/14/97	JR

1 SUPPLIED IN LOOSE PIECE



**METRIC**

DO NOT SCALE PRINT. UNLESS SPECIFIED DIMENSIONS IN mm [INCHES] TOLERANCES ON: 2 PLC DEC ± 0.25 [.010] 3 PLC DEC ± - ANGLES ± -	DR 12/19/91 JR RUTH
MATERIAL SEE TABLE	CHK 12/19/91 MS FEHER
FINISH -	APPD 12/19/91 C MEYERS
	APPD 12/19/91 D REINER
	PRODUCT SPEC -
	APPLICATION SPEC -
	WEIGHT -

T3 STEEL	60447-2
082 BRASS	60447-1
MATERIAL	PART NO
<b>AMP</b> AMP Incorporated Harrisburg, PA 17105-3608	
NAME TAB, FASTON, 6.35 [.250] SERIES	
SIZE B	CAGE CODE 00779
DRAWING NO 60447	
SCALE 8:1	SHEET 1 OF 1