



Copyright FCI.

A

B

C

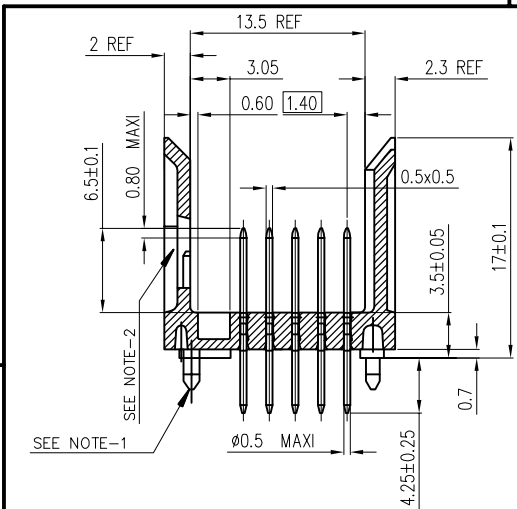
D

A

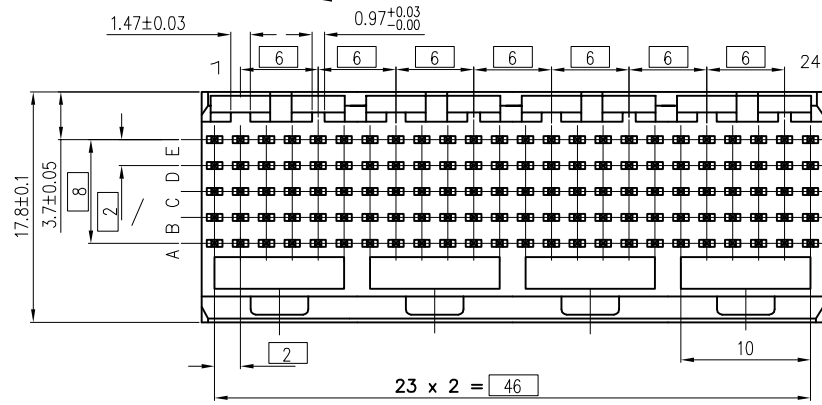
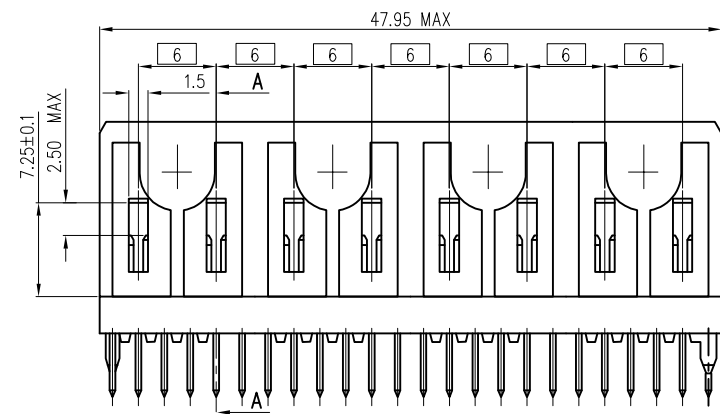
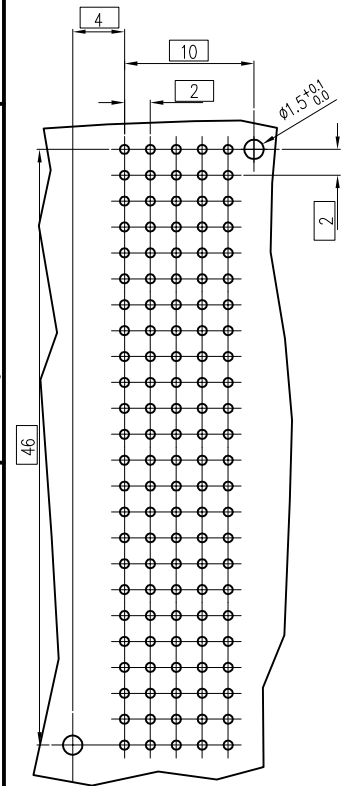
B

C

D



LAYOUT FOR P.C.B
CONNECTOR SIDE VIEW



GENERAL CHARACTERISTICS AND ROHS INFORMATIONS:
SEE PRODUCT SPECIFICATION GS-12-446

- NOTE-1: 2 PEGS AT EACH END ONLY
- NOTE-2: CAVITY FOR CODING KEY MOUNTING AND CABLE CONNECTOR LATCH.
- NOTE-3: IF SUFFIX "P" IS ADDED IN P/N PACKAGING IS IN TRAYS
BUT CONNECTOR MARKING IS WITHOUT "P"
EXAMPLE: HM1W53DTR400H6P, MARKED HM1W53DTR400H6
- NOTE-4: P.C.B HOLES DEFINITION - SEE GS-12-446

- SPECIFIC DATAS:
- Visual inspection : 100%
 - Marking failures
 - Housing material failures
 - Spoilt housing
 - Stained housing
 - Broken contacts (twisted or loosen)

TIN LEAD PART NUMBER

PART NUMBER **HM1W53DTR400H6P**

LEAD FREE PART NUMBER

PART NUMBER **HM1W53DTR400H6PLF**

0.76 um Au & LEAD FREE PART NUMBER

PART NUMBER **HM1W53DTR400HEPLF**

European Views

www.fciconnect.com		surface ISO 1302 ✓	tolerance std ISO 406 ISO 1101	projection 	mm ↔
TOLERANCES UNLESS OTHERWISE SPECIFIED					
Dr	Eng	Chr	Appr	size A3	Scale 2.5
	MICHAEL SONG	ZHEN LUO	COLLINS LU	0.X 0.XX 0.XXX	±0.1 ±0.1 ±0.1
rev	ecn no	dr	date	Product family METRAL Spec ref -	
B	-	ROU	2001/11/21	Product family METRAL Spec ref -	
C	LS05-001	MLE	2005/03/15	Product family METRAL Spec ref -	
D	LS06-0095	LGO	2006/07/04	Product family METRAL Spec ref -	
E	LS07-0012	MLE	2007/03/28	Product family METRAL Spec ref -	
F	ELX-DG-19619	MIC	2014/12/03	Product family METRAL Spec ref -	
title METRAL STRAIGHT HEADER - 120 WAY		dwg no C-8626-11106		Rev. F	
SOLDER TAILS/WDE BODY SP 400		catalog no		CUSTOMER sheet 1 of 1	