


## SAC-4P-10,0-PUR/M12FR-V2A

Order No.: 1669673

As illustrated but with VA knurl

<http://eshop.phoenixcontact.de/phoenix/treeViewClick.do?UID=1669673>Sensor/Actuator cable, 3-position, PUR, Black-gray RAL 7021, Free  
conductor end, on Socket, angled M12, A-coded, Cable length: 10 m

### Commercial data

|                |   |
|----------------|---|
| GTIN (EAN)     | <br>4 017918 359560 |
| sales group    | D111  |
| Pack           | 1 pcs.  |
| Customs tariff | 85444290  |

### Product notes

WEEE/RoHS-compliant since:  
11/29/2006

<http://www.download.phoenixcontact.com>  
Please note that the data given here has been taken from the online catalog. For comprehensive information and data, please refer to the user documentation. The General Terms and Conditions of Use apply to Internet downloads.

### Technical data

#### General data

|                       |          |
|-----------------------|----------|
| Rated current at 40°C | 4 A      |
| Rated voltage         | 250 V    |
| Number of positions   | 3        |
| Volume resistance     | ≤ 5 mΩ   |
| Insulation resistance | ≥ 100 MΩ |

|  |       |
|--|-------|
| Length of cable                            | 10 m  |
| Stripping length of the free conductor end | 50 mm |

**General characteristics**

|                             |   |
|-----------------------------|---|
| Coding                      | A - standard                                |
| Surge voltage category      | II  |
| Pollution degree            | 3   |
| Degree of protection        | IP65/IP68/IP69K                             |
| Insertion/withdrawal cycles | ≥ 100                                       |
| Contact material            | CuSn  |
| Contact surface material    | Ni/Au                                       |
| Contact carrier material    | TPU GF                                      |
| Material of grip body       | TPU, hardly inflammable, self-extinguishing |
| Material, knurls            | High-grade steel                            |
| Sealing material            | NBR   |
| Status display              | No  |

**Conductor data**

|                                    |                               |
|------------------------------------|-------------------------------|
| Cable type                         | PUR halogen-free black        |
| Cable type (abbreviation)          | PUR                           |
| Cable abbreviation                 | Li9Y11Y-HF                    |
| Conductor cross section            | 0.34 mm <sup>2</sup>          |
| AWG signal line                    | 22                            |
| Conductor structure signal line    | 42x 0.10 mm                   |
| Core diameter including insulation | 1.27 mm ±0.02 mm              |
| Thickness, insulation              | ≥ 0.21 mm (Core insulation)   |
|                                    | ≥ 0.8 mm (Outer cable sheath) |
| External cable diameter            | 4.7 mm ±0.15 mm               |
| Wire colors                        | Black, brown, blue, white     |
| External sheath, color             | Black-gray RAL 7021           |
| Insulation resistance              | ≥ 100 MΩ*km                   |
| Conductor resistance               | ≤ 58 Ω/km (at 20°C)           |
| Nominal voltage, conductor         | ≤ 300 V                       |
| Test voltage, conductor            | ≥ 3000 V                      |
| Overall twist                      | 4 wires, twisted              |
| Length of twist, overall twist     | 49.5 mm                       |

|   |  |
|---|--|
| Outer sheath, material                        | PUR  |
| Material conductor insulation                 | PP   |
| Conductor material                            | Bare Cu litz wires   |
| Cable weight                                  | 30 kg/km   |
| Smallest bending radius, fixed installation   | 23.5 mm  |
| Smallest bending radius, movable installation | 47 mm  |
| Number of bending cycles                      | 4000000  |
| Bending radius                                | 47 mm  |
| Traversing path                               | 10 m   |
| Traversing rate                               | 3 m/s  |
| Acceleration                                  | 10 m/s <sup>2</sup>  |
| Ambient temperature (operation)               | -40 °C ... 80 °C (cable, fixed installation)<br>-25 °C ... 80 °C (cable, flexible installation)                        |
| Special properties                            | Flexible cable conduit capable<br>Silicone-free<br>Free of substances which would hinder coating with paint or varnish |
| Flame resistance                              | in accordance with DIN UL-Style 20549<br>in accordance with FT1 as per UL 758  |
| Halogen-free                                  | in accordance with DIN VDE 0472 part 815<br>in accordance with DIN EN 50267-2-1  |
| Resistance to oil                             | in accordance with DIN EN 60811-2-1  |
| Other resistance                              | Highly resistant to acids, alkaline solutions and solvents<br>hydrolysis and microbe resistant                         |

**Certificates / Approvals**



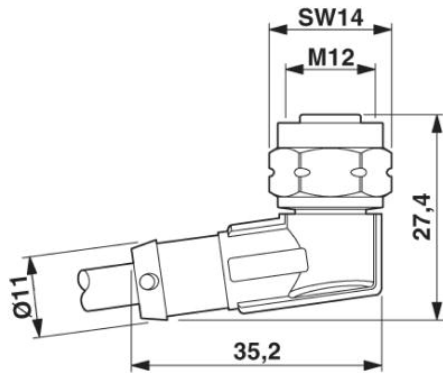
Certification

CUL Listed, UL Listed

**Diagrams/Drawings**

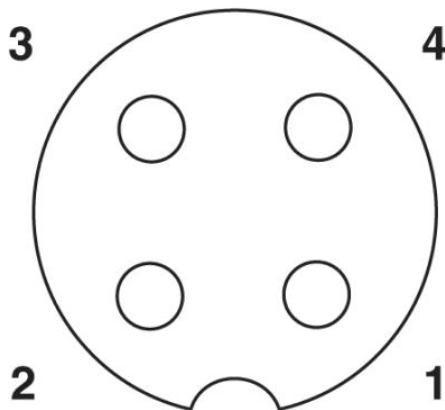
Dimensioned drawing

M12 x 1 female connector, angled



Schematic diagram

Pin assignment M12 socket, 4-pos., A-coded, view female side



**Address**

PHOENIX CONTACT Deutschland GmbH  
Flachmarktstr. 8  
32825 Blomberg, Germany  
Phone +49 5235 3 12000  
Fax +49 5235 3 41200  
<http://www.phoenixcontact.de>



© 2011 Phoenix Contact  
Technical modifications reserved;