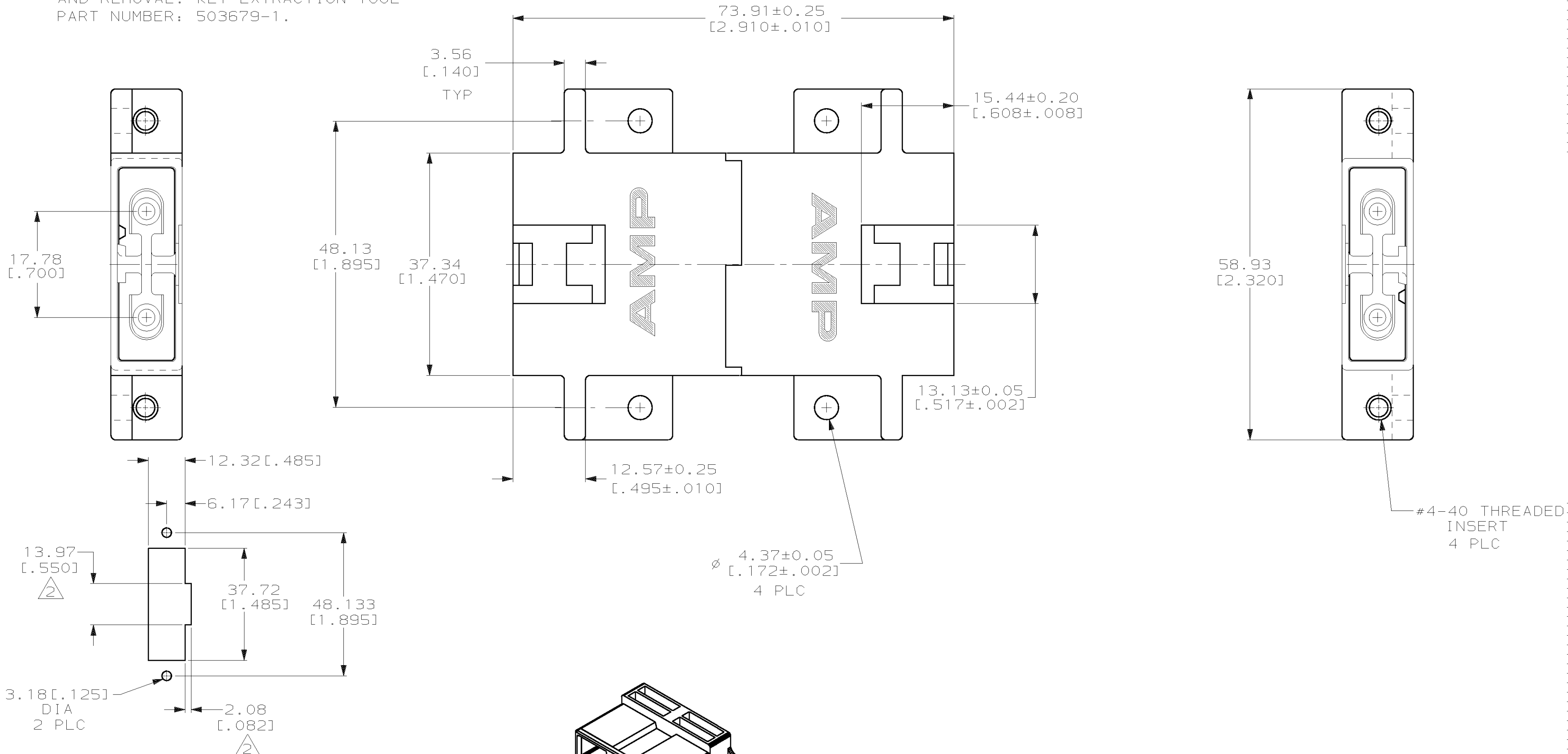


LOC		DIST		P		F		ZONE		LTR		REVISIONS		
CE		16								C		DESCRIPTION	DATE	APPD
												REVISED PER 0A00-0124-00	22JAN2001	TA/SB

1. DIMENSIONS IN [ ] ARE IN INCHES.

2. OPTIONAL CUTOUT FOR FIELD KEY INSERTION AND REMOVAL. KEY EXTRACTION TOOL PART NUMBER: 503679-1.



OBSOLETE	BEIGE	CERAMIC	502807-2
	BLACK	CERAMIC	502807-1
	COLOR	ALIGNMENT SLEEVE MATERIAL	PART NUMBER
			PART NO

DO NOT SCALE PRINT. UNLESS SPECIFIED DIMENSIONS IN mm TOLERANCES ON : 2 PLC DEC ± 0.13[.005] 3 PLC DEC ± - ANGLES ± -	DR 10-13-92 R.HILEMAN	AMP INCORPORATED Harrisburg, Pa. 17105	
	CHK 10-14-92 T.FAWCETT		
MATERIAL THERMOPLASTIC	APPD 10-14-92 T.FAWCETT	NAME FSD TO FSD COUPLING ASSEMBLY, FIELD KEYABLE, AMP FSD, SINGLEMODE	
FINISH SEE TABLE	APPD 10-14-92 D.FISHER	PRODUCT SPEC -	
	APPLICATION SPEC -	SIZE C	FSCM NO 00779
	WEIGHT -	SCALE 2:1	DRAWING NO 502807
			SHEET 1 OF 1

METRIC