

PART NO.	DIM "A"	DIM"B"	DIM"C"	DIM"D"	DIM"E"	DIM"F"	MOUNTING	FIGURE NO.
WSLTB-01A-19A	.19 [4.8]	.42 [10.7]	.41 [10.4]	.66 [16.8]	.63 [16.0]	.50 [12.7]	ACRYLIC ADHESIVE	1
WSLTB-01A-19	.19 [4.8]	.42 [10.7]	.38 [9.6]	.66 [16.8]	.63 [16.0]		SRX-3XXX RIVET	
WSLTB-02A-19A	.39 [10.0]	.64 [16.3]	.61 [15.5]	.88 [22.4]	.85 [21.5]		ACRYLIC ADHESIVE	
WSLTB-02A-19	.39 [10.0]	.64 [16.3]	.58 [14.7]	.88 [22.4]	.85 [21.5]		SRX-3XXX RIVET	
WSLTB-03A-19A	.50 [12.7]	.43 [11]	.66 [16.8]	.69 [17.5]	.75 [19]	.47 [12]	ACRYLIC ADHESIVE	2

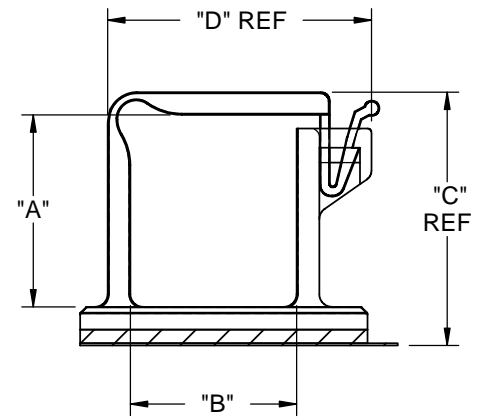
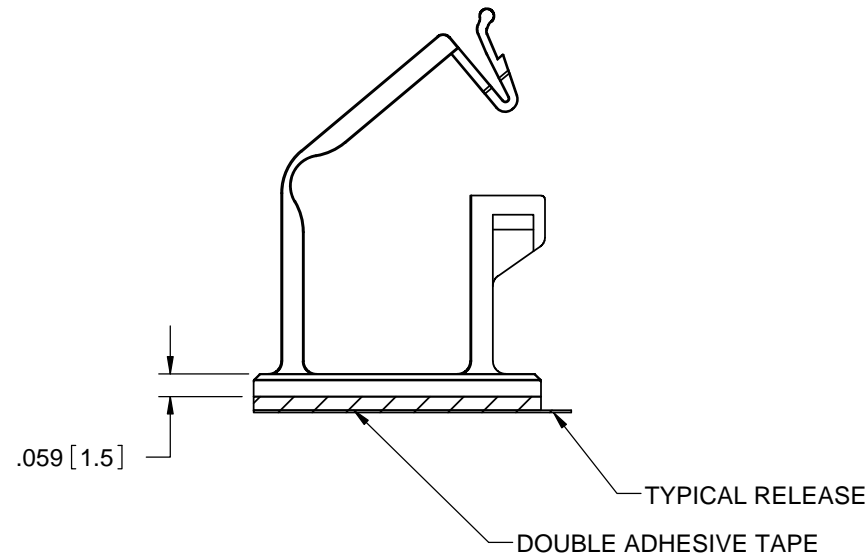
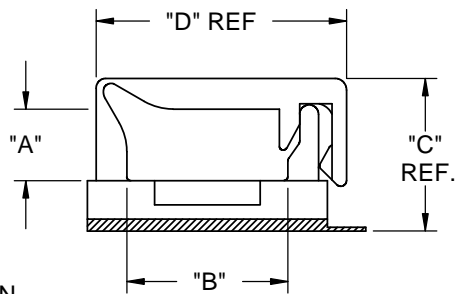
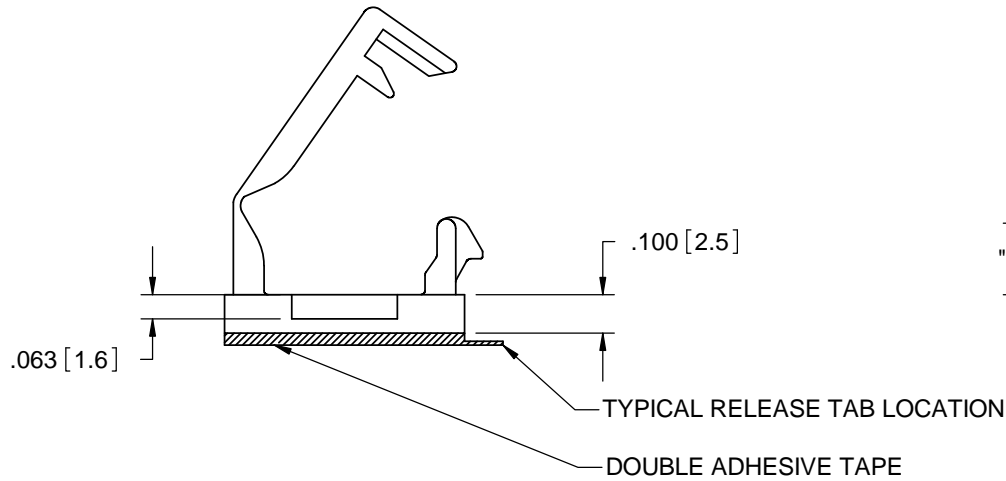
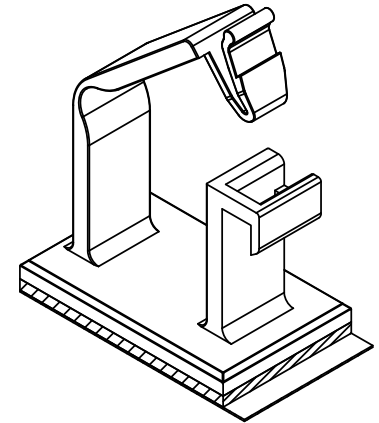
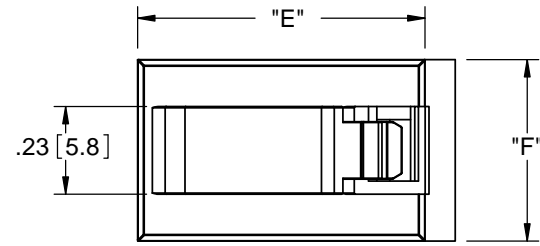
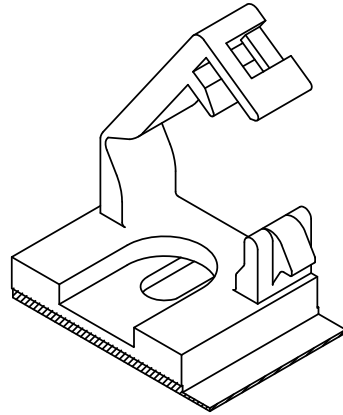
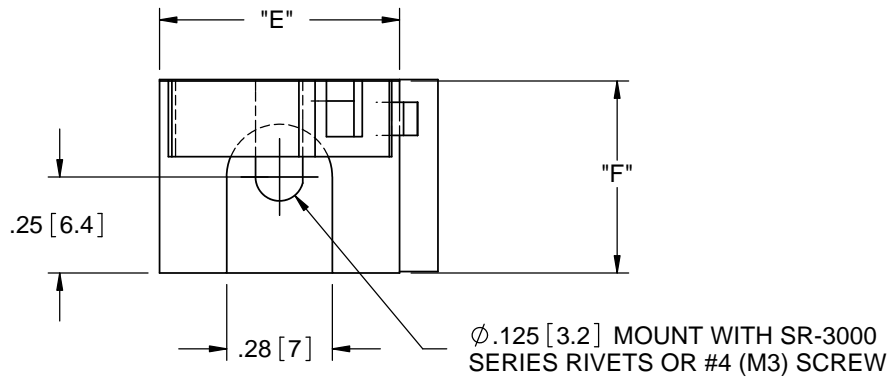


FIGURE 1.

FIGURE 2.

- NOTES:
- MATERIAL: NYLON 6/6 UL94 V-0 (RMS-19).
- NYLON 6/6 UL94 V-2 (RMS-01) BY SPECIAL ORDER.
 - COLOR: NATURAL
- COLOR BLACK AVAILABLE BY SPECIAL ORDER. TO ORDER ADD "BK" TO THE END OF PART NO.
 - ADHESIVE: 1/32 ACRYLIC ADHESIVE (RMS-15).
 - TYPICAL OVERHANG OF TAPE FROM EDGE OF BASE TO BE .079 [2] MAX.
 - ALTERNATE UNITS FOR REFERENCE ONLY.

REV.	DESCRIPTION	ENGR.	DATE
E	SEE CO 200773 FOR CHANGES	SK	04.30.12
D	ADDED WSLTB-03A-19A-RT PART, CO 200584	SK	09/16/10
C	DRR CO 200270 FOR CHANGES	SK	10/29/08
B	SEE CO 200096 FOR CHANGES	SK	01/02/08
A	RELEASED FOR PRODUCTION	SM	05/21/03

TITLE: WIRE SADDLE LOCKING TOP ON BASE				UNITS IN [mm]	FINAL
CREATED USING SOLIDWORKS	FILE #: WSLTB	DWN: DLC	APP: DLC		
TOLERANCES UNLESS NOTED .XX=±.010 .XXX=±.005 FRAC.=±1/64 ANG.=±1°	SHEET: 1 OF 1 SHEET SIZE: B	DT: 3/20/03	CHKD: DJZ		
RE: RICHCO-INC		RICHCO, INC. WWW.RICHCO-INC.COM		PART # SEE CHART	PRINT TYPE CA