

Metal switch medium stroke, snap-in, Switching Voltage up to 250V



MSM 22 SI snap in mounting

Description

- Switches with snap-in mounting from the frontside
- Further characteristics see MSM 22 data sheet Available in version Standard, lettered, with Point Illumination or Ring Illumination

Characteristics

- Housing and actuator made of high quality stainless steel
- Quick Assembly by snap-in mounting from the front side
- Short Mounting Depth, for assembly with no access from rear side

References

Alternative: Standard version [MSM 16](#); [MSM 27](#)

Weblinks

[html-datasheet](#), [General Product Information](#), [CE declaration of conformity](#), [RoHS](#), [CHINA-RoHS](#), [CAD-Drawings](#), [Product News](#), [Detailed request for product](#)

Technical Data

Electrical Data

Data	See MSM data sheet
------	--------------------

Mechanical Data

Mounting	snap-in
Mounting	Ø 22 mm
Diameter	
Drilling tolerance	max. 0.15 mm / Drilling edges free of burrs
Panel Thickness	1.5; 2.0; 2.5; 3.0mm
Mounting Force	50 - 100 N
Data	See MSM data sheet

Climatical Data

Data	See MSM data sheet
------	--------------------

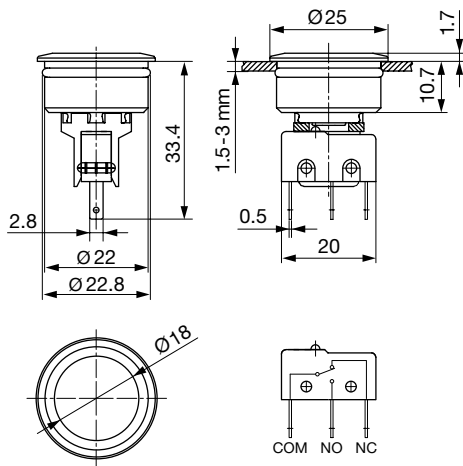
Material

Housings	Stainless Steel
Gasket	NBR70

Detailed information on product approvals, code requirements, usage instructions and detailed test conditions can be looked up in [General Product Information](#)

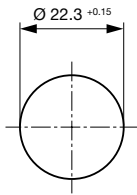
Dimension

MSM 22 SI



Dimension

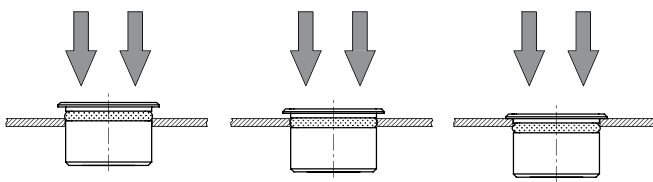
SI 22



Drilling diagram

Assembly Instructions

Mounting diagram



The assembly becomes effective by the force fitting of the switch into the drilling hole, whereas the O-ring will be displaced. After inserting the switch through the drilling hole, the O-ring expands and the switch is fixed in the drilling hole.

All Variants

Diameter	Switching Current	Switching Voltage	Illumination, LED	Housing Material	Panel Thick-	Config. Code	Order Number
[mm]	[A]	[VAC/ VDC]					
22	5 / 3 A	125 / 250 VAC	non-illuminated	Stainless Steel	1.5mm		1241.6695.1120000
22	5 / 3 A	125 / 250 VAC	non-illuminated	Stainless Steel	2mm		1241.6699.1120000

Legend:

Type: MSM

PI = Point Illumination

RI = Ring Illumination

Alu = Aluminium

ES = Stainless steel

Point illuminated versions without resistors, details see MSM data sheet

Further snap-in versions and customer-specific solutions on request.

Special materials for use in salt and chlorinated environment on request.

Most Popular.

Availability for all products can be searched real-time: <http://www.schurter.com/en/Stock-Check/Stock-Check-SCHURTER>

Packaging unit

10 in box with insert (10 pcs.)