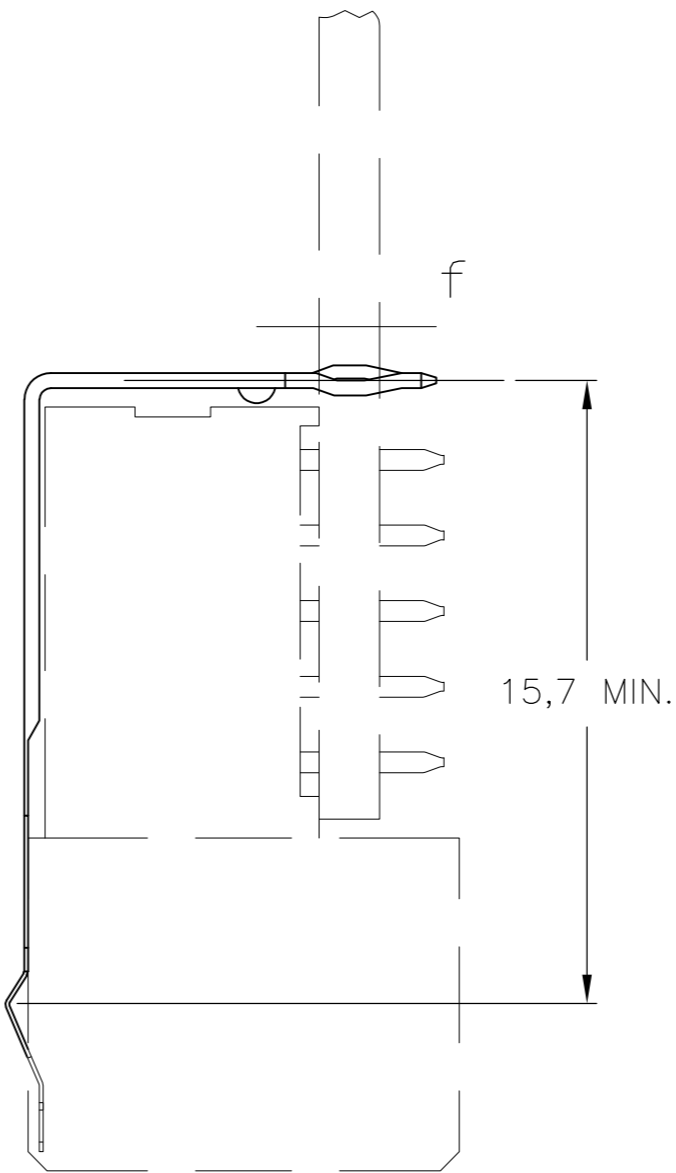
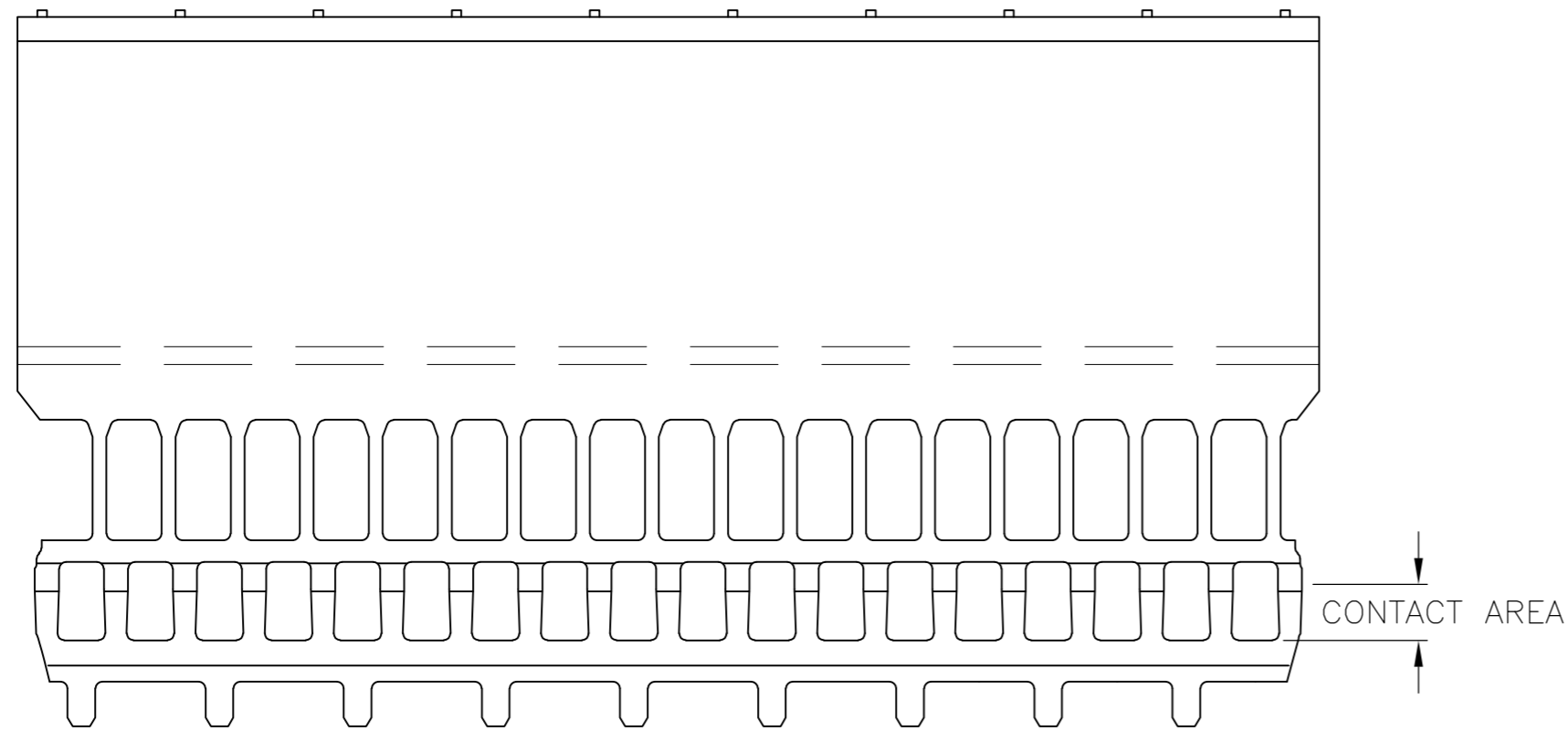
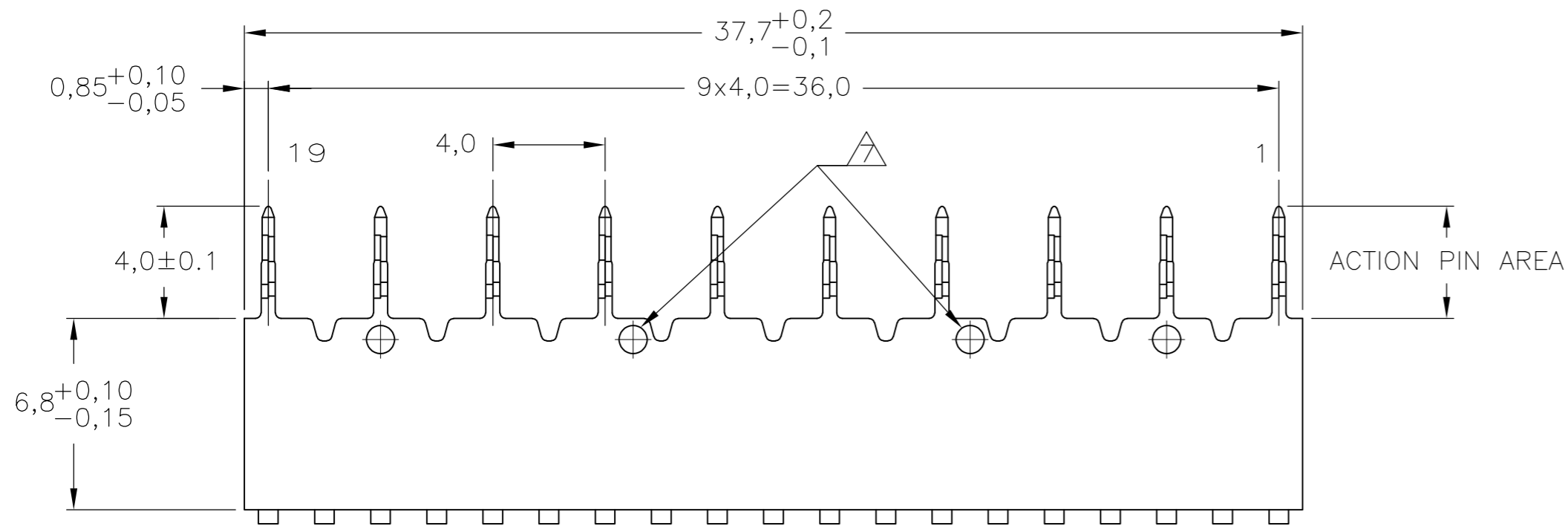


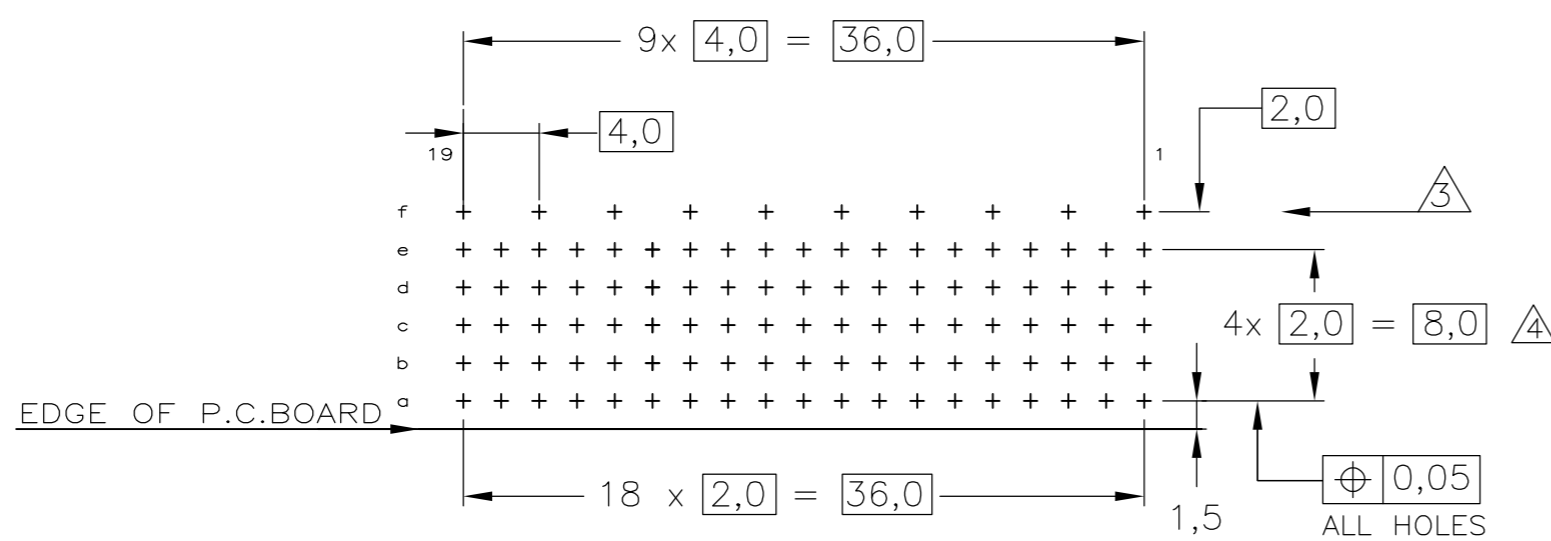
THIS DRAWING IS UNPUBLISHED. RELEASED FOR PUBLICATION
 © COPYRIGHT - By - ALL RIGHTS RESERVED.

LOC		DIST		REVISIONS			
P	LTR	DESCRIPTION	DATE	DWN	APVD		
	M	REVISED PER ECO-13-015151	17DEC2013	FL	FY		



NOTES:

- △ GENERAL PLATING SPECIFICATION: UNDERPLATING (ENTIRE CONTACT): 1,27µm NICKEL MIN.AND ACTION PIN: 0,5µm TIN-LEAD MIN. FOR PLATING OF MATING SURFACES SEE PERFORMANCE LEVEL SHOWN IN PART NUMBER TABLE.
- △ MATERIAL; PHOSPHORBRONZE.
- △ ROW "f" 10 PLATED THROUGH HOLES FOR UPPERSHIELD
- △ HOLE PATTERN FOR FEMALE CONNECTOR TYPE B-19 COLUMNS 95 PLATED-THROUGH HOLES AT 2x2mm SQUARE GRID SHIELDS LUBRICATED WITH BELLCORE APPROVED LUBRICANT. TECHNICAL REF: TR-NWT-001217 ISSUE 1, SEPT. 1992.
- △ GENERAL PLATING SPECIFICATION: UNDERPLATING (ENTIRE CONTACT): 1,27µm NICKEL MIN.AND ACTION PIN: 0,5µm TIN-LEAD MIN. ASTM B579 60/40 FOR PLATING OF MATING SURFACES SEE PERFORMANCE LEVEL SHOWN IN PART NUMBER TABLE.
- △ OPTIONAL DIMPLES AT DISCRETION OF DIE ENGINEER.
- △ OBSOLETE PARTS: OBSOLETE CIS STREAMLINING PER D.RENAUD/D.SINISI
- △ CONFORMS TO ALL TESTING ACCORDING IEC 61076-4-101 PERFORMANCE LEVEL 2.
- △ CONFORMS TO ALL TESTING ACCORDING IEC 61076-4-101 PERFORMANCE LEVEL 1.
- △ CONNECTOR TESTED AND QUALIFIED AGAINST TELCORDIA GR-1217-CORE QUALITY LEVEL III,CENTRAL OFFICE APPLICATIONS.
- △ 0.76µm MIN GOLD PLATING AT MATING SURFACE.
- △ 1.27µm MIN GOLD PLATING AT MATING SURFACE.



COMPONENT SIDE AS SHOWN
 RECOMMENDED PCB-HOLE LAY-OUT

P.C.B. HOLE DIM. ACTION PIN
 FOR DETAILS: SEE
 APPLICATION SPECIFICATION

	FINISH	MATERIAL	PARTNUMBER
△ 1, 9, 12	△ 2		8-352028-4
△ 1, 13	△ 2		9-352028-3
△ 6, 5, 11	△ 2		-9-352028-1
△ 1, 5, 11	△ 2		-352028-9-
△ 1, 9	△ 2		-352028-2-

THIS DRAWING IS A CONTROLLED DOCUMENT.		DWN E. MÖLMANN 23-APR-96	TE Connectivity	
DIMENSIONS: mm		CHK W. v.d.HEIJDEN 23-APR-96	Z-PACK 2mm HM GROUND RETURN UPPER SHIELD TYPE B-19 COLUMNS	
TOLERANCES UNLESS OTHERWISE SPECIFIED: ±0.2		APVD F. v.KONINGSBRUGGE	NAME	RESTRICTED TO
6-PLC ±		PRODUCT SPEC	108-19082	
1-PLC ±		APPLICATION SPEC	114-19029	
2-PLC ±		WEIGHT	-	
3-PLC ±		CUSTOMER DRAWING		
4-PLC ±		SCALE	5:1	SHEET 1 of 1
ANGLES ±		FINISH		REV M

352028