

MATERIALS AND FINISHES:

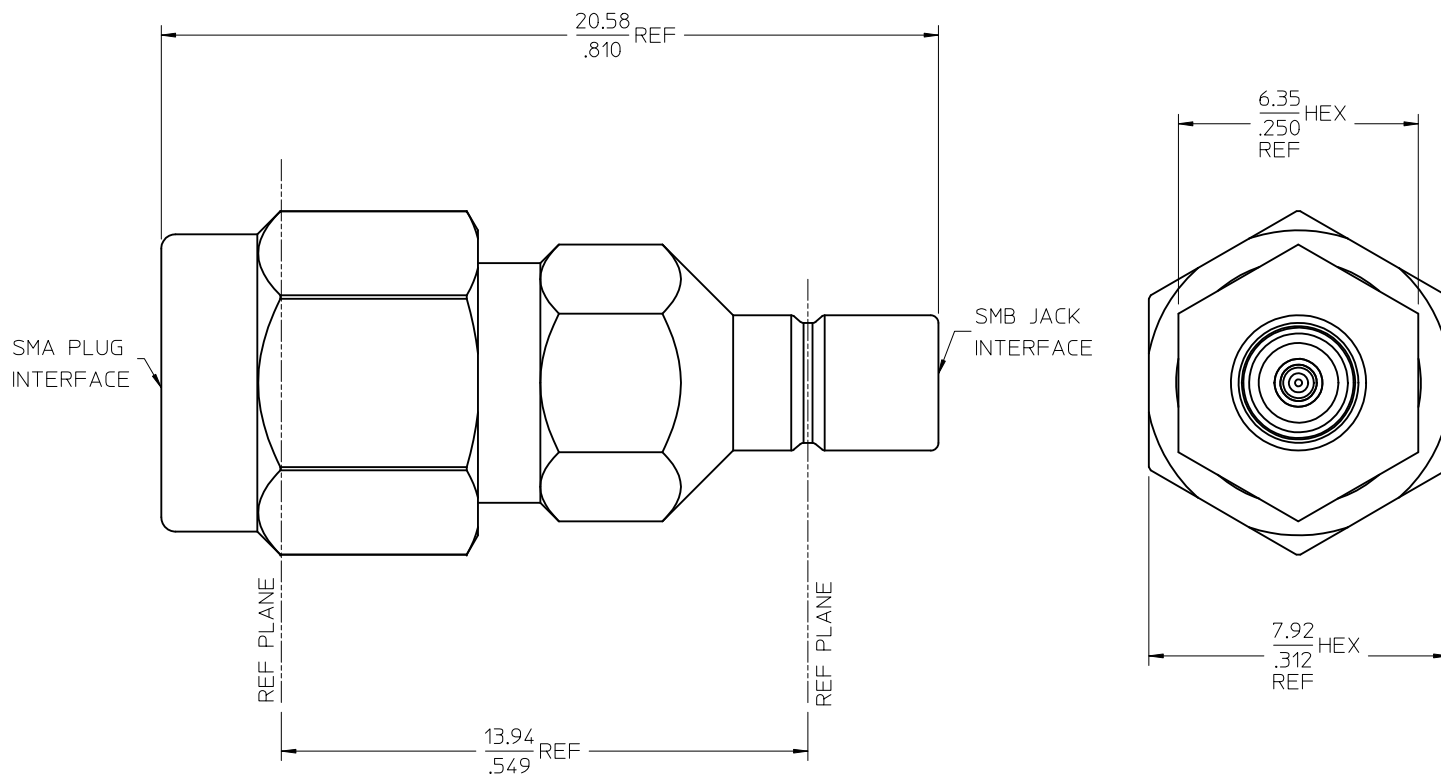
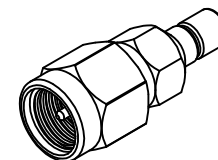
BODY & SMA COUPLING NUT ST. STEEL
PASSIVATED

CENTER CONTACT BERYLLIUM COPPER
PLATED GOLD

INSULATOR TEFLON

SNAP RING BERYLLIUM COPPER

GASKET SILICONE RUBBER



MIL-STD-348A, FIG. 311.1	SMB INTERFACE
MIL-STD-348A, FIG. 310.1	SMA INTERFACE
PS-89675-2730	ELECTRO/MECH PERFORM.
SPECIFICATION	DESCRIPTION

73386-0192	TRAY
73386-0191	ONE PER BAG
PART NO.	PACKAGING

CHG: ADD -0191 EC NO: URF2011-0572 DRWN: JWIENER 2011/04/01 CHKD: SSS 2011/04/01 APPR: JWIENER 2011/04/01 A2	QUALITY SYMBOLS ▽=0 ▽=0	GENERAL TOLERANCES (UNLESS SPECIFIED)	DIMENSION STYLE MM/IN	SCALE	DESIGN UNITS METRIC	THIRD ANGLE PROJECTION															
		<table border="1"> <thead> <tr> <th></th> <th>mm</th> <th>INCH</th> </tr> </thead> <tbody> <tr> <td>4 PLACES</td> <td>± .---</td> <td>± .---</td> </tr> <tr> <td>3 PLACES</td> <td>± .---</td> <td>± .---</td> </tr> <tr> <td>2 PLACES</td> <td>± .---</td> <td>± .---</td> </tr> <tr> <td>1 PLACE</td> <td>± .---</td> <td>± .---</td> </tr> </tbody> </table>		mm	INCH	4 PLACES	± .---	± .---	3 PLACES	± .---	± .---	2 PLACES	± .---	± .---	1 PLACE	± .---	± .---	DRAWN BY DATE GMH 2001/06/18 CHECKED BY DATE TEF 2001/06/18 APPROVED BY DATE XXX 0000/00/00	TITLE		
			mm	INCH																	
		4 PLACES	± .---	± .---																	
3 PLACES	± .---	± .---																			
2 PLACES	± .---	± .---																			
1 PLACE	± .---	± .---																			
ANGULAR ± 2 ° DRAFT WHERE APPLICABLE MUST REMAIN WITHIN DIMENSIONS	MATERIAL NO. 733860192 SIZE C	MOLEX INCORPORATED DOCUMENT NO. SD-73386-019	SHEET NO. 1 OF 1																		
THIS DRAWING CONTAINS INFORMATION THAT IS PROPRIETARY TO MOLEX INCORPORATED AND SHOULD NOT BE USED WITHOUT WRITTEN PERMISSION																					