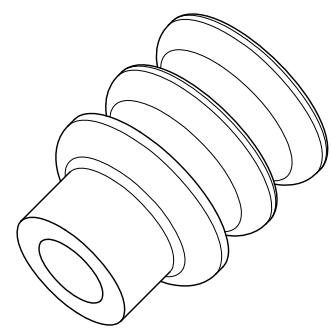
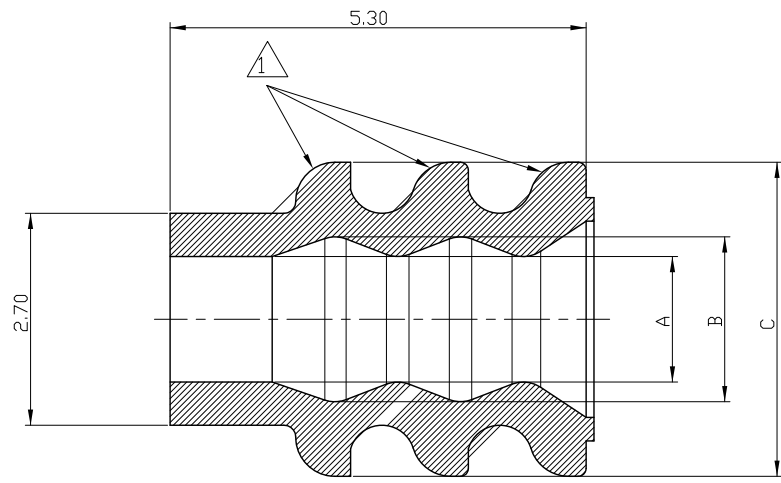
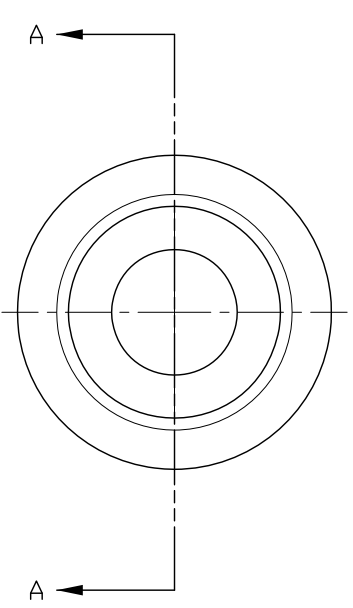


THIS DRAWING IS UNPUBLISHED. RELEASED FOR PUBLICATION 20  
 © COPYRIGHT 20 BY TYCO ELECTRONICS CORPORATION. ALL RIGHTS RESERVED.

LOC		DIST		REVISIONS			
P	LTR	DESCRIPTION		DATE	DWN	APVD	
	A	RELEASED		12.MAR.08	JH	JK	



ISOMETRIC VIEW



SECT A-A

NOTE:

- 1. SURFACE DEFECTS ARE NOT ACCEPTABLE AS FOLLOWS.  
(BURRS, STAINS, SCORES)
- 2. MUST CONTAIN OIL 5%

20~22 AWG	1.6	2.1	3.6	2005877-2	GRAY	45°±5°
22~26 AWG	1.0	1.9	4.0	2005877-1	BLUE	45°±5°
WIRE RANGE	DIM A	DIM B	DIM C	P/N	COLOR	HARDNESS

THIS DRAWING IS A CONTROLLED DOCUMENT FOR TYCO ELECTRONICS CORPORATION  
 IT IS SUBJECT TO CHANGE AND THE CONTROLLING ENGINEERING ORGANIZATION  
 SHOULD BE CONTACTED FOR THE LATEST REVISION.

DIMENSIONS: MM		TOLERANCES UNLESS OTHERWISE SPECIFIED:		DWN JH GONG		TE Connectivity	
		0 PLC ± 1 PLC ± 2 PLC ± ±0.25 3 PLC ± 4 PLC ± ANGLES ±		CHK BW KANG			
MATERIAL SILICONE		FINISH -		APVD JK SONG		SIZE A3	
				PRODUCT SPEC 108-61101		CAGE CODE 00779	
				APPLICATION SPEC 114-16017		DRAWING NO C-2005877	
				WEIGHT -		RESTRICTED TO -	
CUSTOMER DRAWING						SCALE N/S	
						SHEET 1 OF 1	
						REV A	