

4

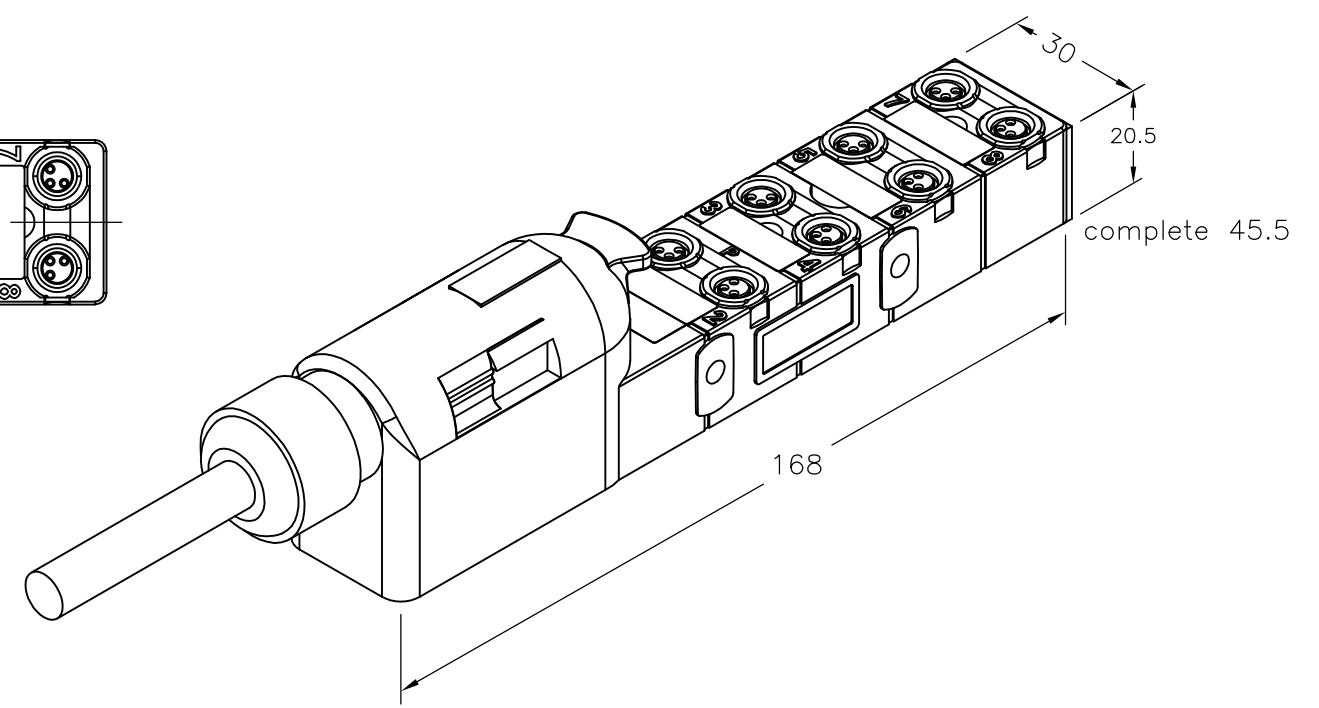
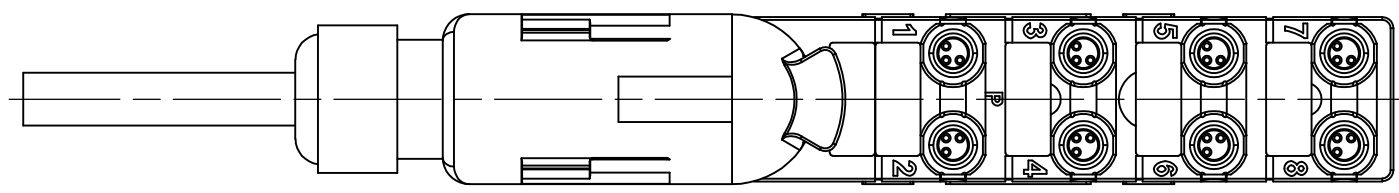
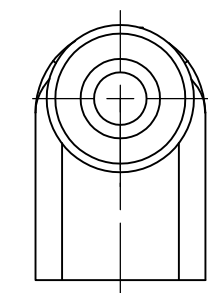
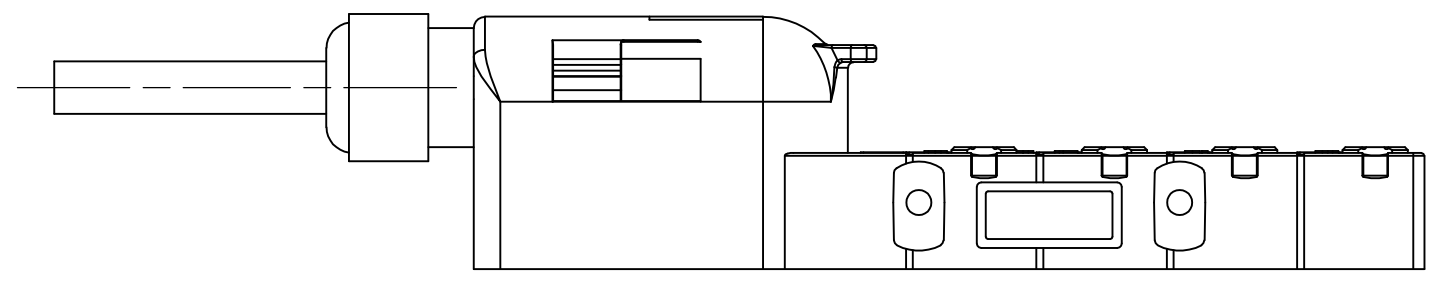
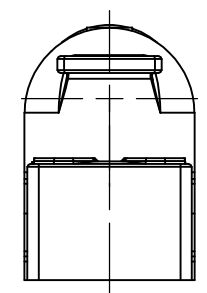
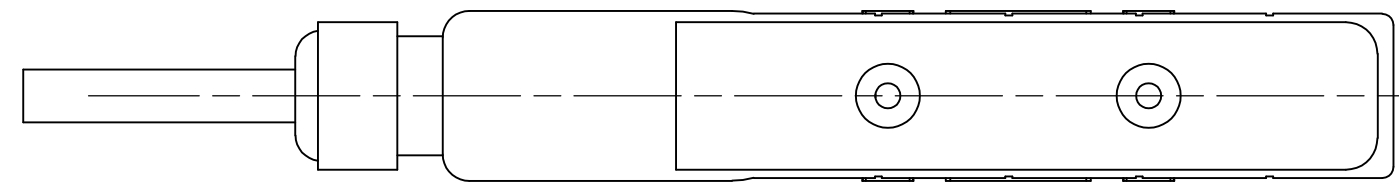
3

2


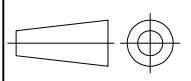
1

THIS DRAWING IS UNPUBLISHED. RELEASED FOR PUBLICATION
 © COPYRIGHT - By - ALL RIGHTS RESERVED.

LOC	DIST	REVISIONS			
P	LTR	DESCRIPTION	DATE	DWN	APVD
H	-	A	INITIAL RELEASE	14JAN2014	GSK BvH



PUR cable 10m	2273144-2
PUR cable 5m	2273144-1
DESCRIPTION	TE PN

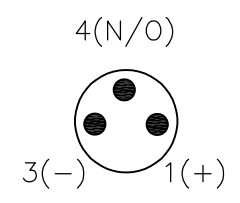
THIS DRAWING IS A CONTROLLED DOCUMENT.		DWN 14JAN2014 SATHISH KUMAR.G	 TE Connectivity		
DIMENSIONS: mm		CHK 14JAN2014 B.VELDHOVEN			
TOLERANCES UNLESS OTHERWISE SPECIFIED:		APVD 14JAN2014 A.VAN ZANDVOORT	NAME DISTR BOX M8 3POS 8WAY PNP		
		PRODUCT SPEC -	-		
MATERIAL -		FINISH -	APPLICATION SPEC -	-	
		WEIGHT -	SIZE A3	CAGE CODE 00779	DRAWING NO C-2273144
CUSTOMER DRAWING			RESTRICTED TO -	SCALE NTS	SHEET 1 OF 2
			REV A		

THIS DRAWING IS UNPUBLISHED. RELEASED FOR PUBLICATION
 © COPYRIGHT - By - ALL RIGHTS RESERVED.

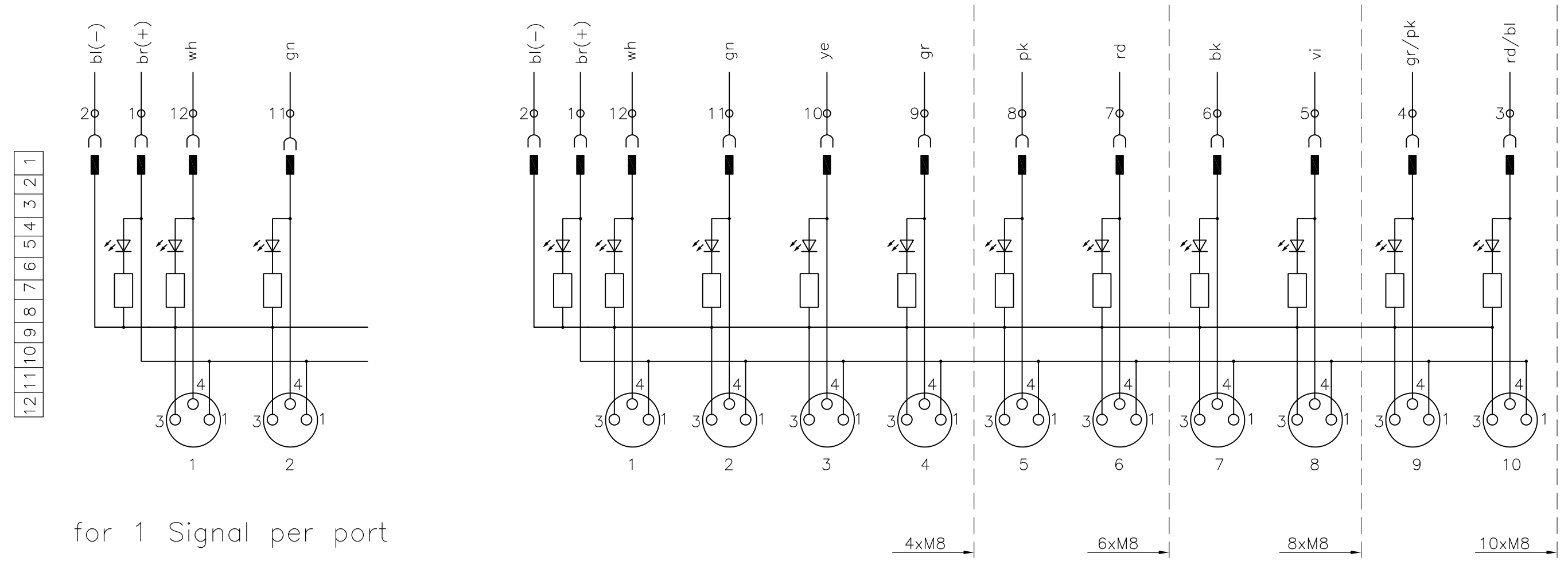
LOC	DIST	REVISIONS					
H	-	P	LTR	DESCRIPTION	DATE	DWN	APVD
		-		SEE SHEET 1	-	-	-

Contact Layout

M8-Females 3-pole



Circuit diagram



for 1 Signal per port

THIS DRAWING IS A CONTROLLED DOCUMENT.		DWN	14JAN2014	 TE Connectivity	NAME	DISTR BOX M8 3POS 8WAY PNP
DIMENSIONS: mm		CHK	14JAN2014			
TOLERANCES UNLESS OTHERWISE SPECIFIED:		B.VELDHOVEN				
0 PLC ± - 1 PLC ± - 2 PLC ± - 3 PLC ± - 4 PLC ± - ANGLES ± -		APVD				
MATERIAL		FINISH		APVD		14JAN2014
				PRODUCT SPEC		
				APPLICATION SPEC		
				SIZE	CAGE CODE	DRAWING NO
				A3 00779		C-2273144
				RESTRICTED TO		
		CUSTOMER DRAWING		SCALE	SHEET	REV
				NTS		2 OF 2
						A