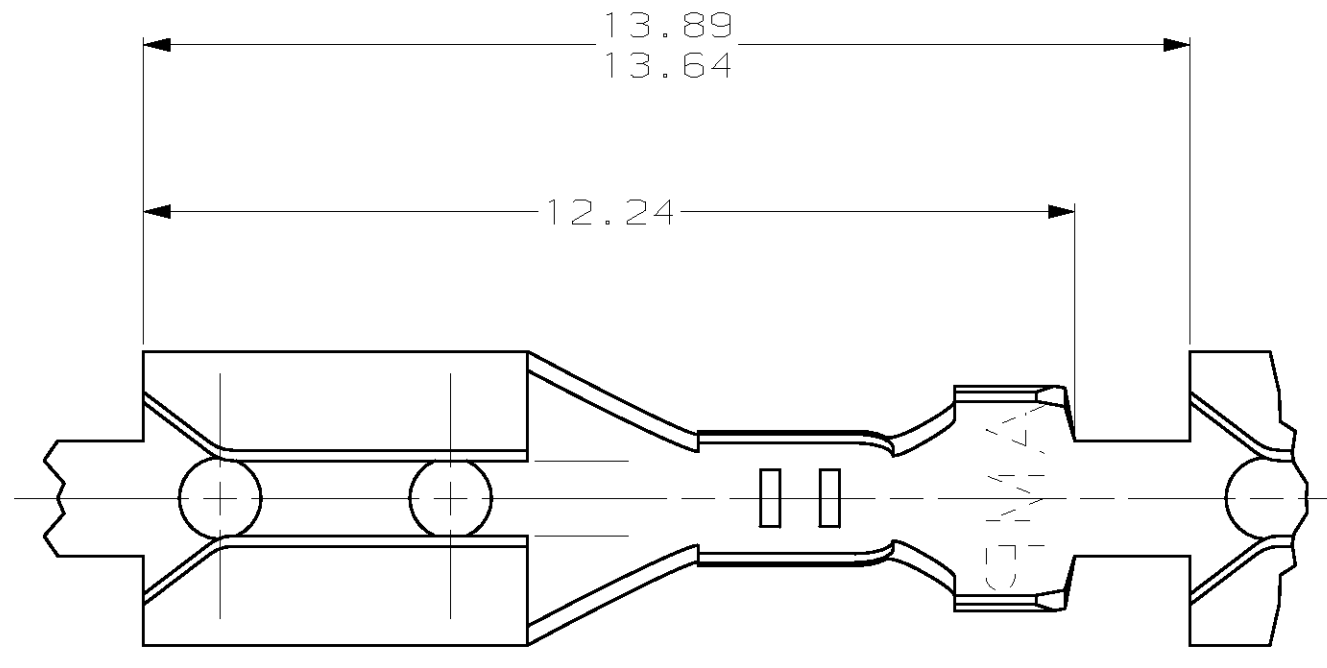
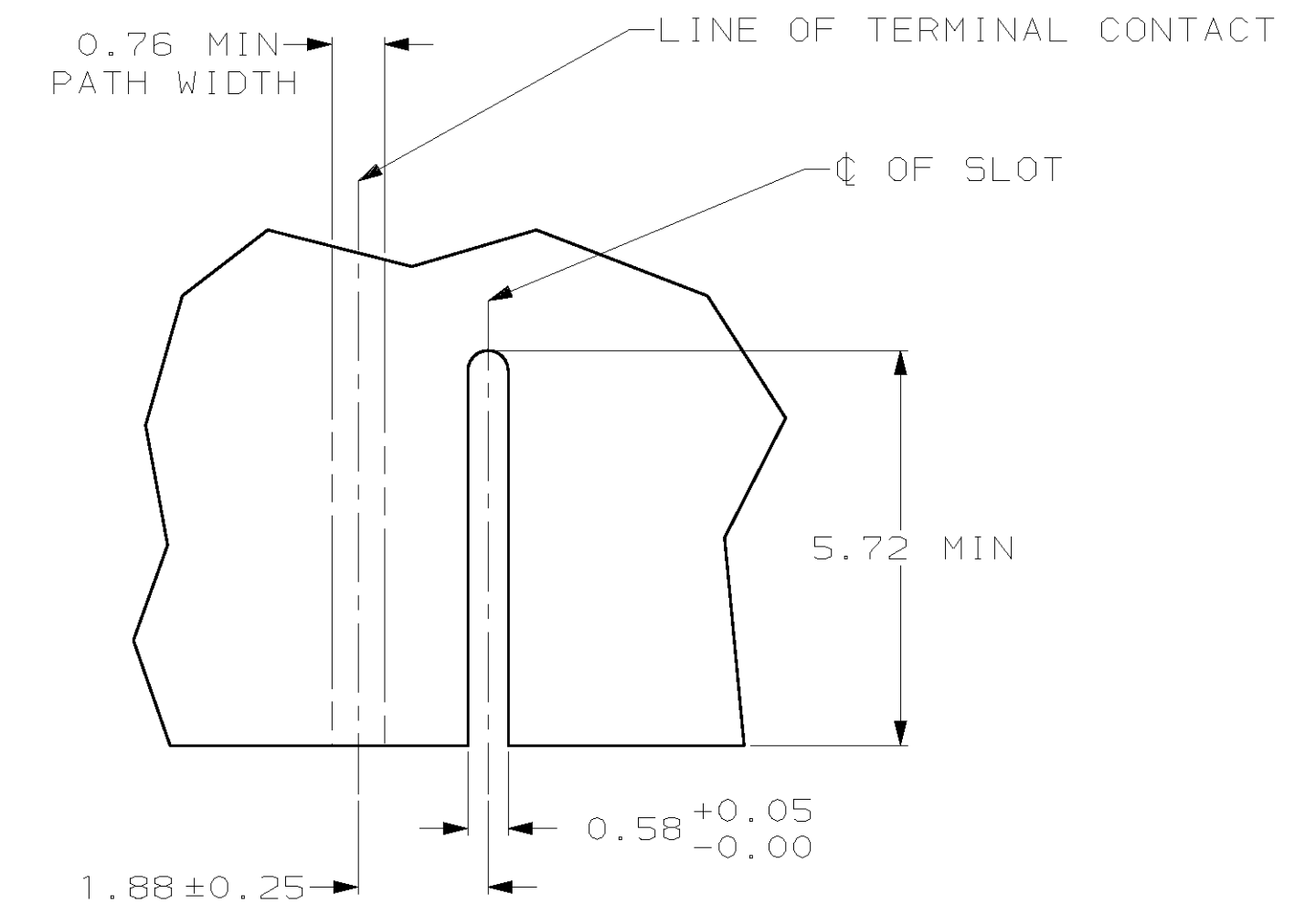


THIS DRAWING IS UNPUBLISHED. RELEASED FOR PUBLICATION
 (C) COPYRIGHT 19 BY AMP INCORPORATED. ALL RIGHTS RESERVED.

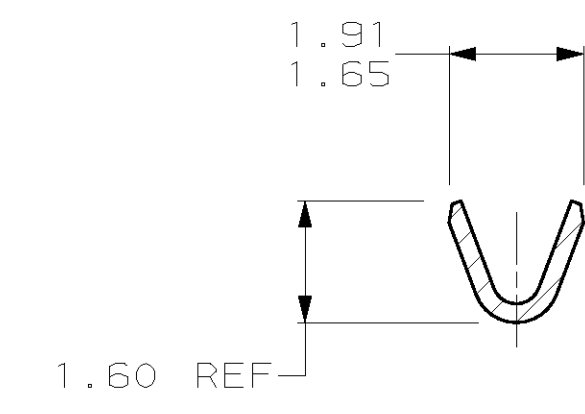
LOC		DIST		REVISIONS			
P	LTR	DESCRIPTION	DATE	DWN	APVD		
CM	52	G	REV PER EC	0L30-0117-97	6-9-97	JH	RS



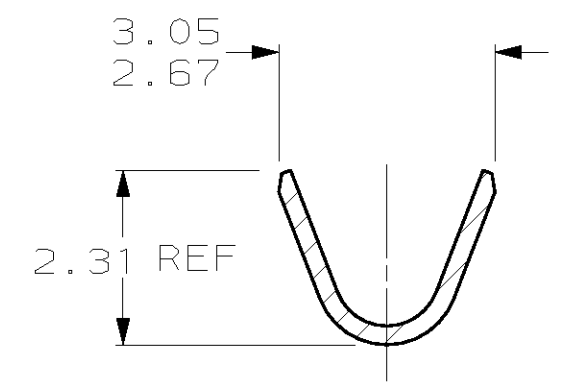
1. WIRE RANGE: 0.3 - 0.05 MM² (30 - 22 AWG)
2. INSULATION RANGE: 1.91 MAX



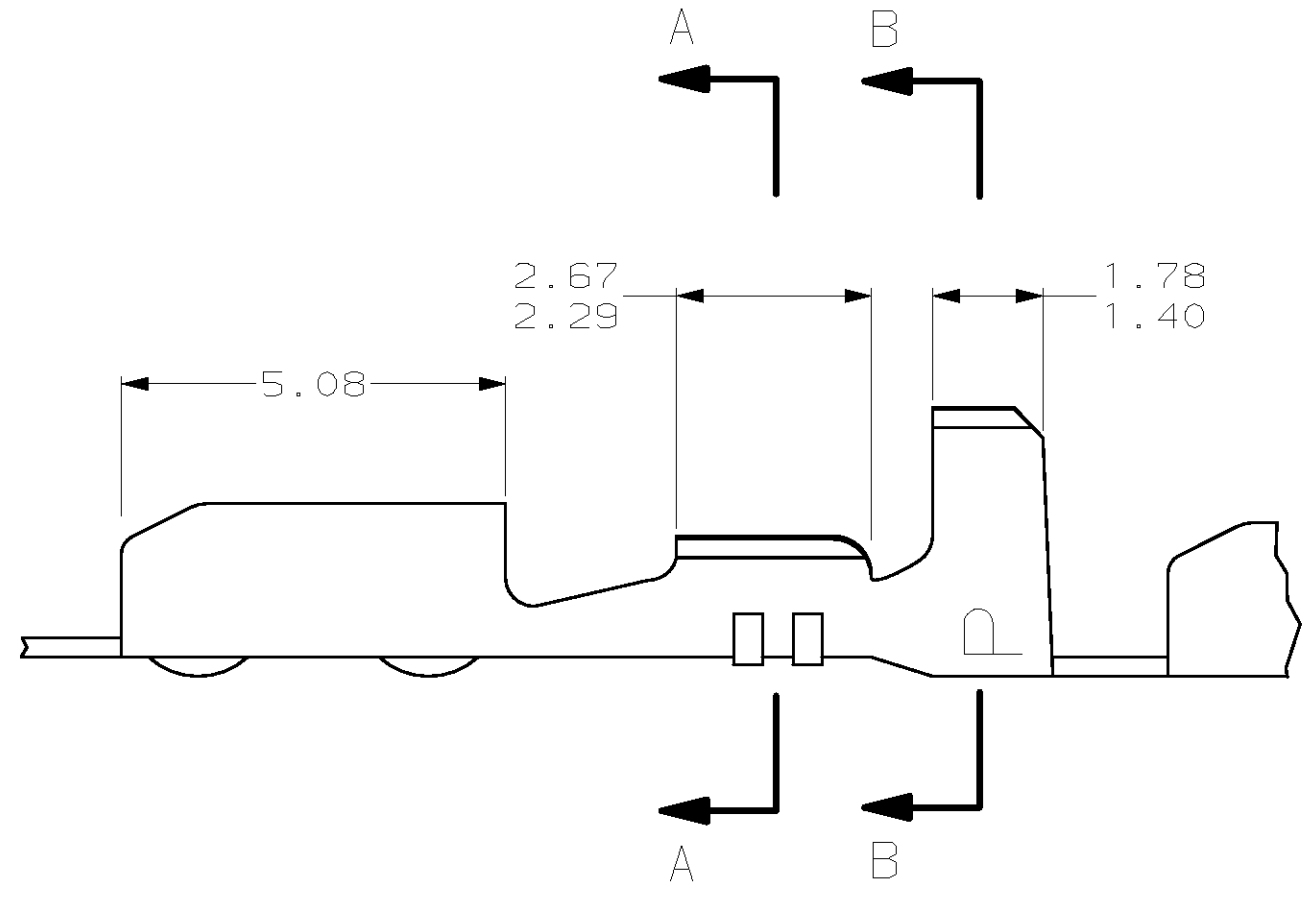
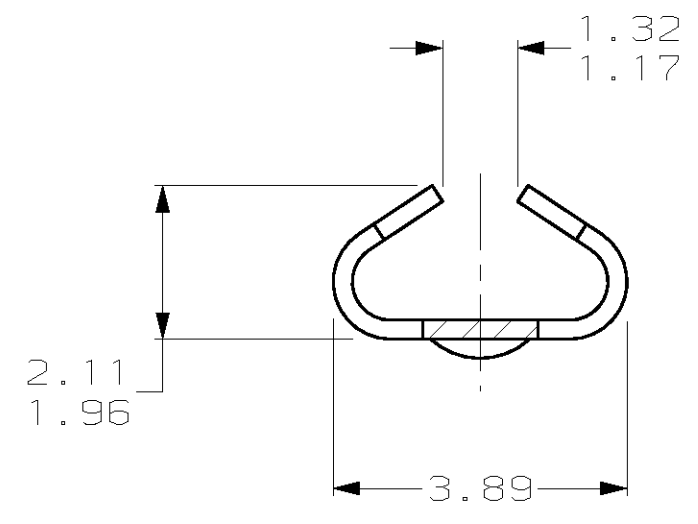
RECOMMENDED CUT OUT FOR 1.57 MAX THICK PANEL



SECTION A-A



SECTION B-B



MM	IN	MM	IN	MM	IN	MM	IN
1.32	.052	1.96	.077	5.08	.200	-	-
1.17	.046	1.91	.075	3.89	.153	-	-
0.76	.030	1.88	.074	3.05	.120	-	-
0.58	.023	1.78	.070	2.67	.105	-	-
0.25	.010	1.65	.065	2.51	.099	13.89	.547
0.13	.005	1.60	.063	2.31	.091	13.64	.537
0.05	.002	1.57	.062	2.29	.090	12.24	.482
0.00	.000	1.40	.055	2.11	.083	5.72	.225
MM	IN	MM	IN	MM	IN	MM	IN

CONVERSION TABLE

METRIC

61455-2
PART NUMBER

THIS DRAWING IS A CONTROLLED DOCUMENT.		DWN	T. BECK	3-10-97
DIMENSIONS:		CHK	R. SWING	3-10-97
mm		APVD	A. BEDDICK	5-16-97
TOLERANCES UNLESS OTHERWISE SPECIFIED:		NAME		
0 PLC	±	AMP Incorporated Harrisburg, PA 17105-3608		
1 PLC	±	TERMINAL, 30-22 AWG, .075 MAX INSULATION, AMP-EDGE™		
2 PLC	±0.13	SIZE		
3 PLC	±	CAGE CODE		
4 PLC	±	DRAWING NO		
ANGLES	±	RESTRICTED TO		
MATERIAL	FINISH	A2 00779 C-61455		
2.51 PH BRZ	MATTE TIN	SCALE 10:1 SHEET 1 OF 1 REV G		
CUSTOMER DRAWING				