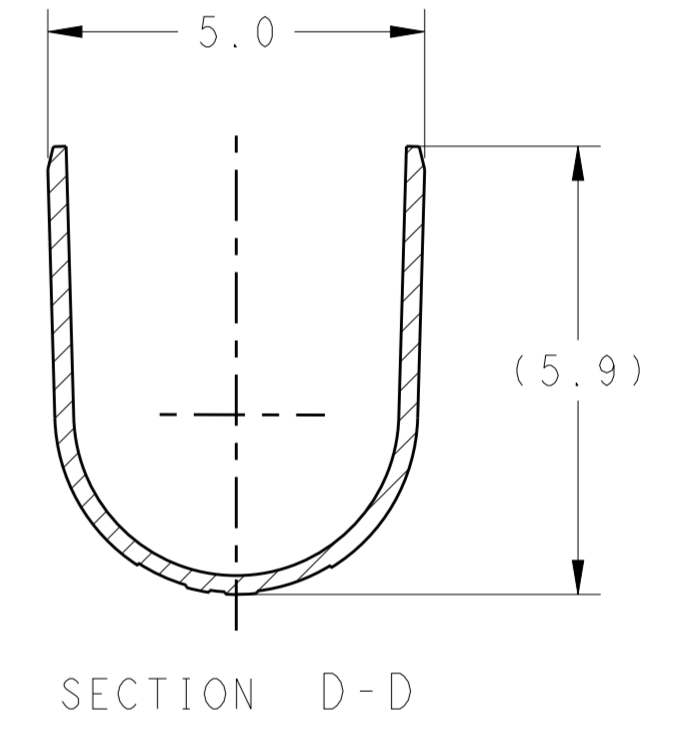
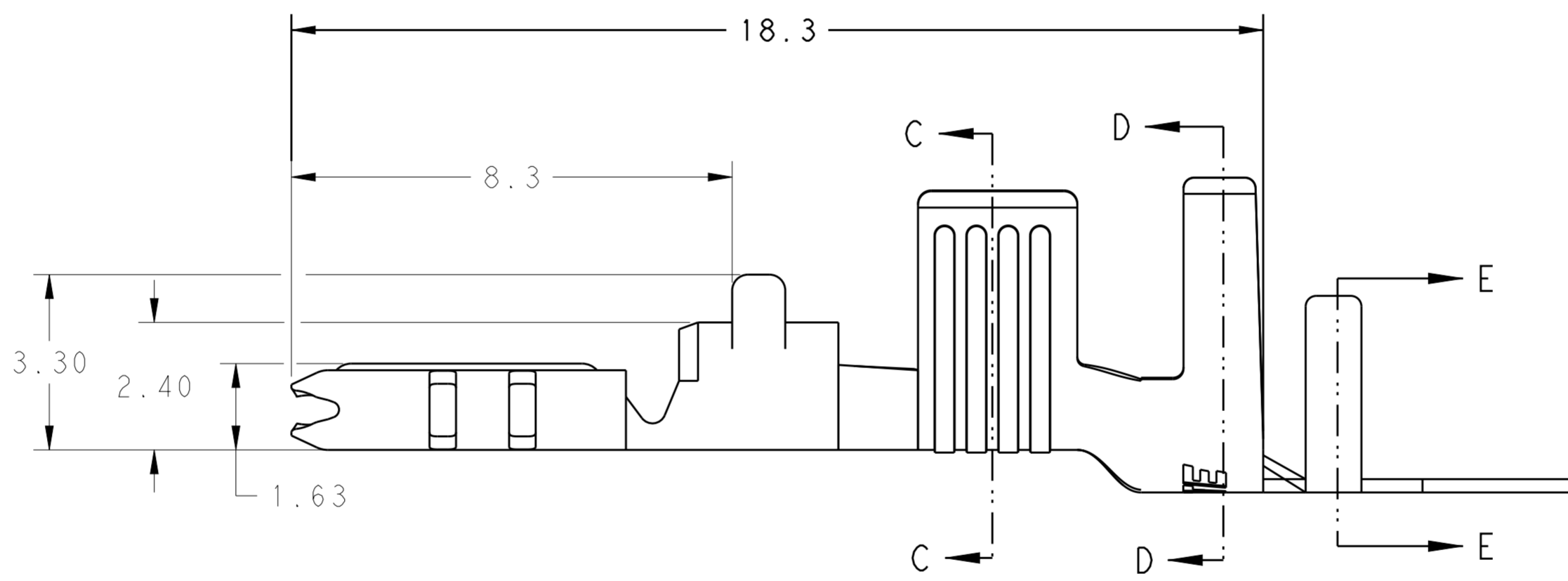
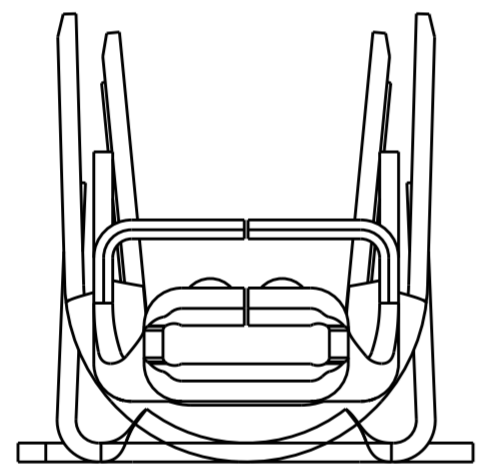
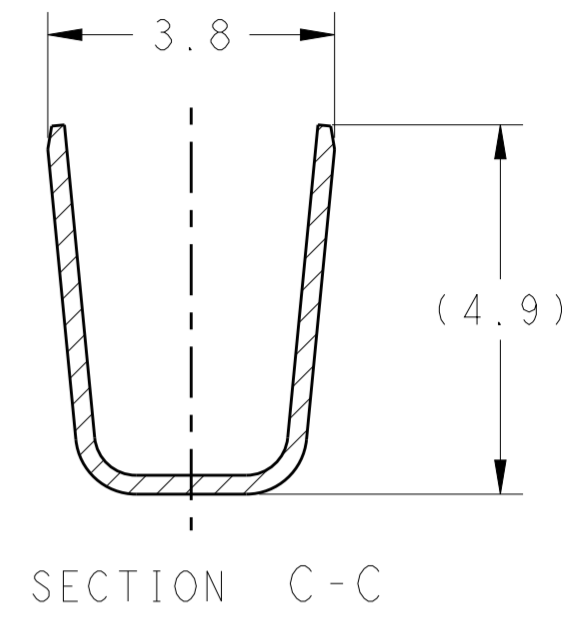
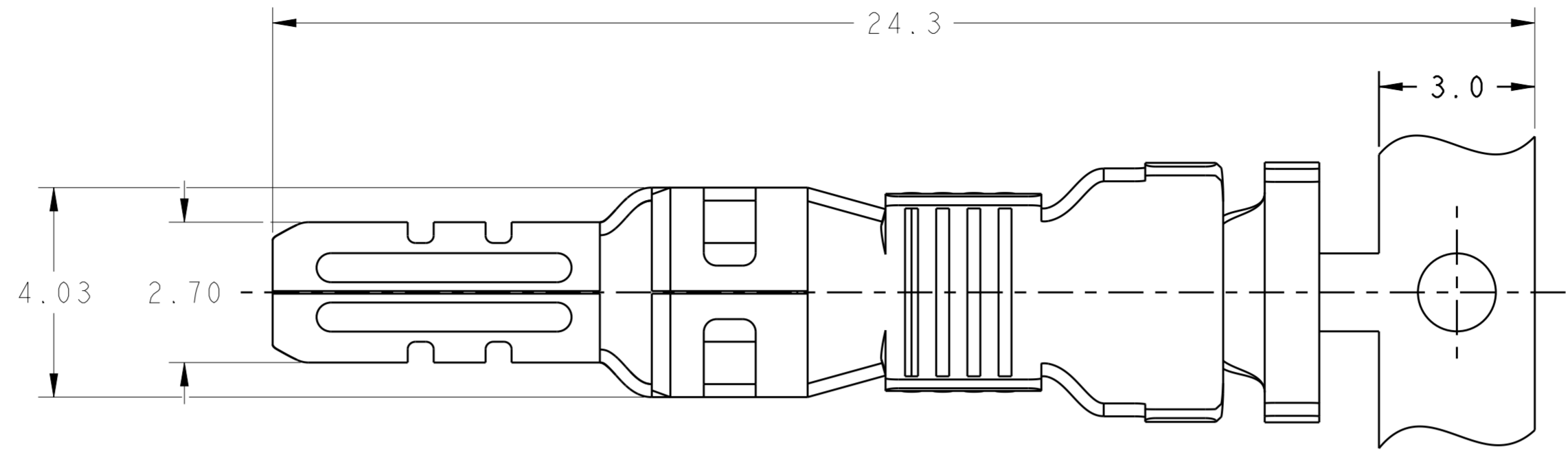
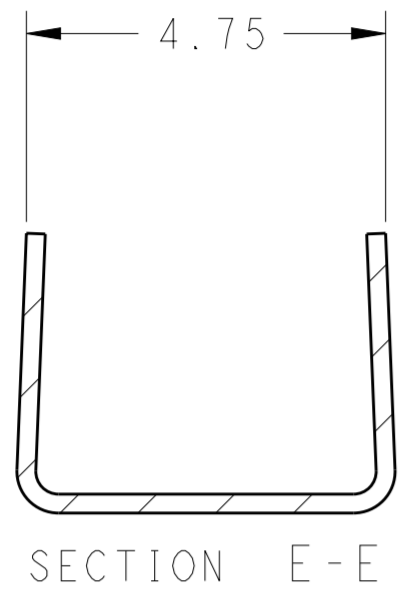
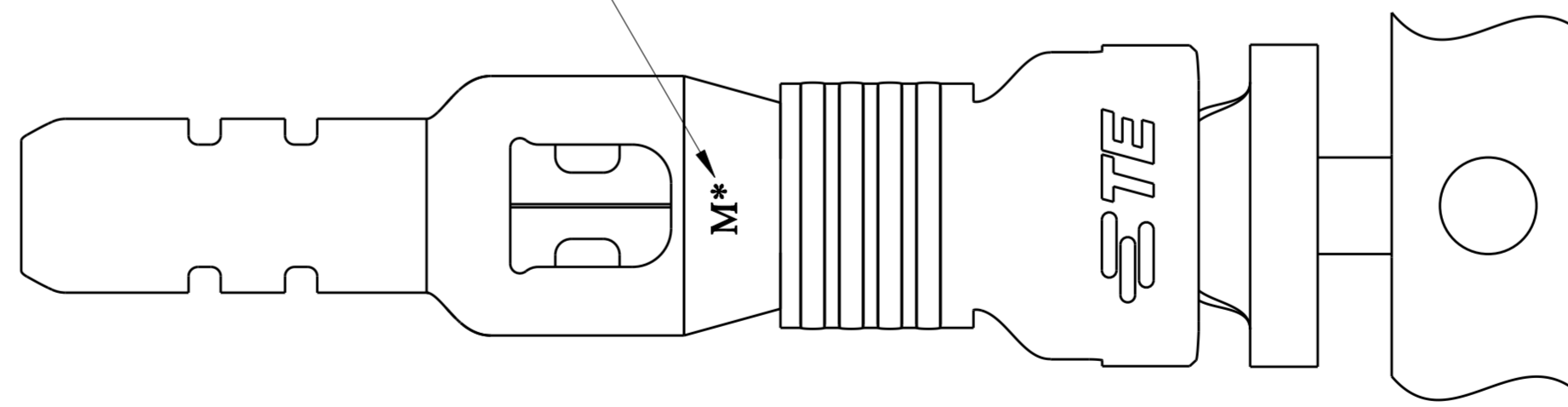


THIS DRAWING IS UNPUBLISHED. RELEASED FOR PUBLICATION 20
 © COPYRIGHT 20 BY - ALL RIGHTS RESERVED.

LOC	DIST	REVISIONS			
P	LTR	DESCRIPTION	DATE	DWN	APVD
ES	00				
		C1	REVISED PER ECO-16-016321	14NOV2016	RS GJ



MATERIAL MARK



- 1 MATERIAL: COPPER ALLOY, PRE TIN PLATING
- 2 APPLICABLE WIRE: 12AWG COPPER STRANDED
- 3 APPLICABLE INSULATION DIAMETER: 3.85~4.25mm
- 4 APPLICABLE MATED CAP HOUSING P/N:
 -1971771-/*-1971774-*/*-1971874-*/
 -1971772-/*-1971775-*/*-1971875-*/
 -2232263-/*-2232264-*/*-2232356-*/
 -2232358-/*-2232359-*/*-2232360-*

5 This product has not completed validation testing.

HIGH(150°C)	M0	1971780-2
STANDARD(105°C)	M4	1971780-1
TEMP. RATING	MATERIAL MARK	PART NO

THIS DRAWING IS A CONTROLLED DOCUMENT.

DWN	TOMMY WU	11 JUL 2011
CHK	HAPYE WU	11 JUL 2011
APVD	YUJHONG MAO	11 JUL 2011
PRODUCT SPEC	108-106118	
APPLICATION SPEC	114-106118	
WEIGHT	-	
Customer Drawing		

STE TE Connectivity

TAB CONTACT POWER TRIPLE LOCK

SIZE	CAGE CODE	DRAWING NO	RESTRICTED TO
A2	00779	C-1971780	-
SCALE	SHEET	OF	REV
5:1	1	1	C1