

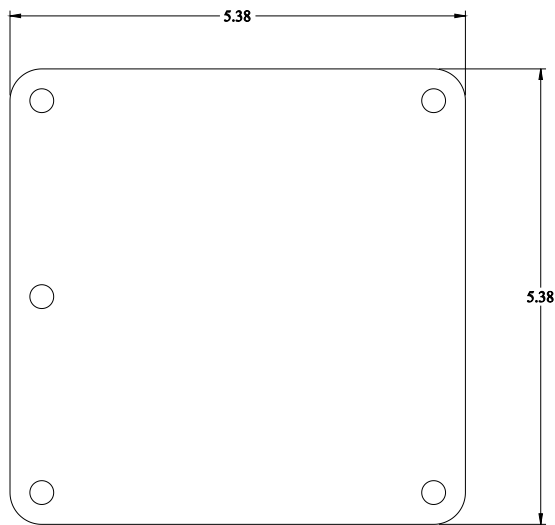
**PART No. 1487CH**

for more information visit

[www.hammfg.com](http://www.hammfg.com)

Data subject to change without notice

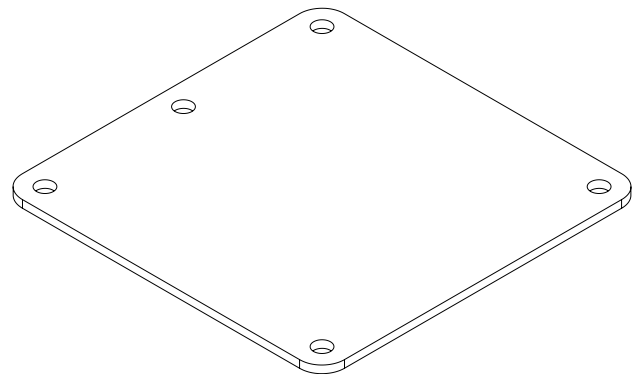
Isometric drawing Not to Scale



**FRONT VIEW**



**SIDE VIEW**



**ISOMETRIC VIEW**