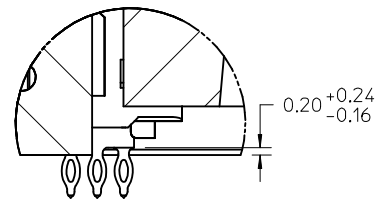
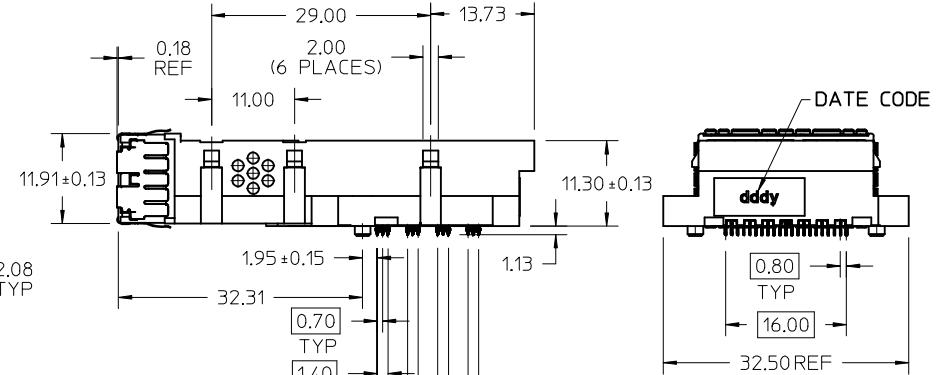
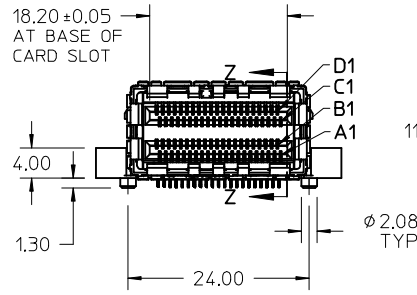
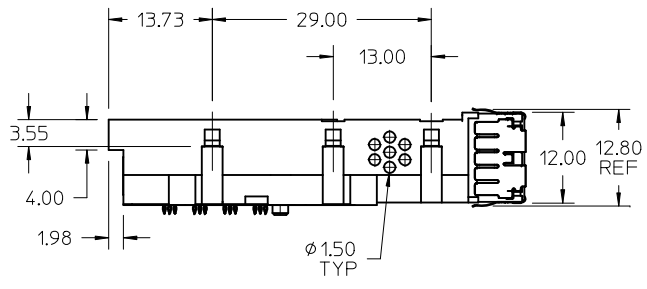
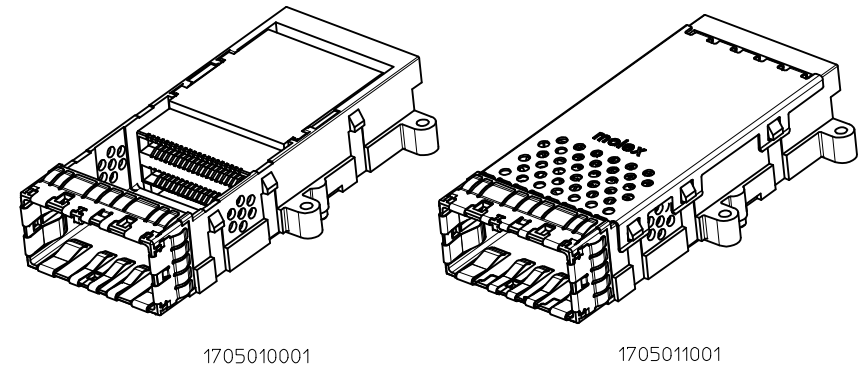
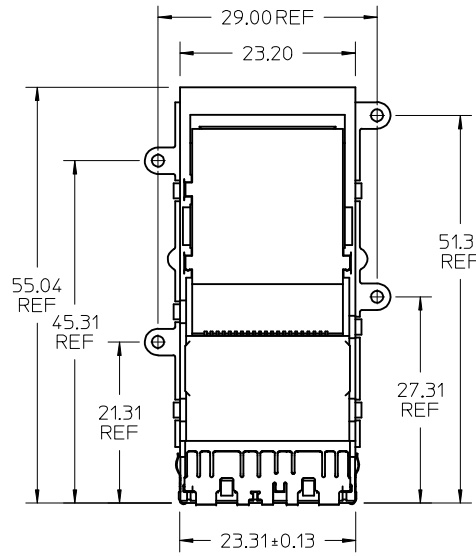
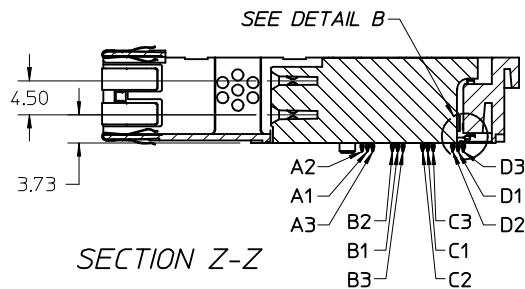


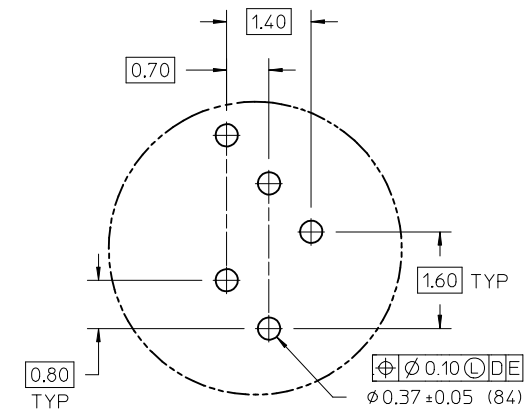
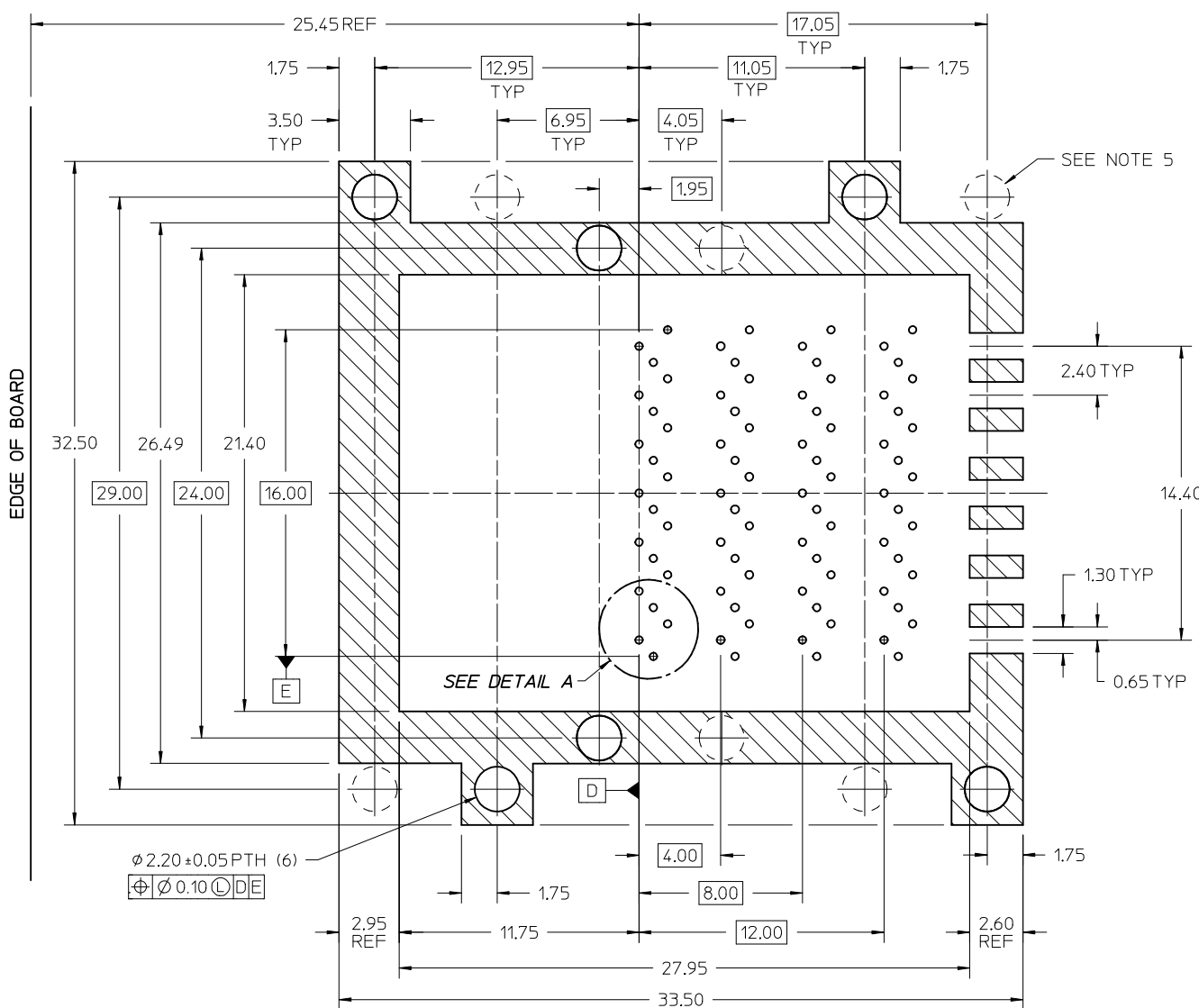
MATERIAL	DESCRIPTION
1705010001	NO COVER
1705011001	WITH COVER



DETAIL B
SCALE 10:1

- NOTES:**
- MATERIALS:**
CONNECTOR HOUSING: HIGH TEMPERATURE THERMOPLASTIC GLASS-FILLED, UL 94V-0
EMI HOUSING: NICKEL PLATED DIE CAST ALLOY
COVER: STAINLESS STEEL
EMI CLIPS: NICKEL PLATED PHOS BRONZE
TERMINALS: COPPER ALLOY
 - PLATING:**
CONTACT AREA: 0.764mm MIN. GOLD OVER 2.544mm MIN. NICKEL
TAIL AREA: 0.764mm - 1.524mm TIN OVER 1.274mm MIN NICKEL
 - THIS CONNECTOR IS DESIGNED TO MATE WITH MOLEX CABLE SERIES INDICATED IN THE MOLEX PRODUCT SPEC. PS-170465-0001.
 - REFER TO ROUTING GUIDE AS-170501-0002 FOR PCB TRACE INFORMATION.
 - PACKAGING SPECIFICATION: TRAY PACK PER PK-170501-0001.
 - REFER TO AS-170501-0001 FOR THE APPLICATION SPECIFICATION.
 - MOUNTING HARDWARE REQUIRED: M2x0.4 CAP SCREWS (6)
MOUNTING SCREW LENGTH: BOARD THICKNESS + 4mm MAX
 - THERMAL SOLUTION MUST PROVIDE MODULE GUIDANCE OR MODULE MAY STUB ON CONNECTOR DURING MATING.
SAME FUNCTION AS COVER OR HEATSINK.

ADD TOL., CUT-OUT EC NO: UCP2013-2408 DRAWING PRATT 2012/12/12 CHKD: MBANAKIS 2012/12/12 APPR: MBANAKIS 2012/12/18	QUALITY SYMBOLS ▽=0 ▽=0 ▽=0	GENERAL TOLERANCES (UNLESS SPECIFIED)	DIMENSION STYLE MM ONLY		SCALE 2:1	DESIGN UNITS METRIC	THIRD ANGLE PROJECTION
			mm	INCH	DRAWN BY JLONG	DATE 2010/05/20	TITLE I-PASS PLUS CXP EXTENDED 84 CIRCUIT, 0.8MM I/O
REV D1	DESCRIPTION	DRAFT WHERE APPLICABLE MUST REMAIN WITHIN DIMENSIONS	4 PLACES ± --- ± ---		CHECKED BY JLONG	DATE 2010/05/20	MOLEX INCORPORATED
			3 PLACES ± --- ± ---		APPROVED BY MBANAKIS	DATE 2012/12/18	
		2 PLACES ± 0.25 ± ---		MATERIAL NO. SEE CHART		DOCUMENT NO. SD-170501-0001	SHEET NO. 1 OF 5
		1 PLACE ± --- ± ---		THIS DRAWING CONTAINS INFORMATION THAT IS PROPRIETARY TO MOLEX INCORPORATED AND SHOULD NOT BE USED WITHOUT WRITTEN PERMISSION			
		ANGULAR ±1/2°					



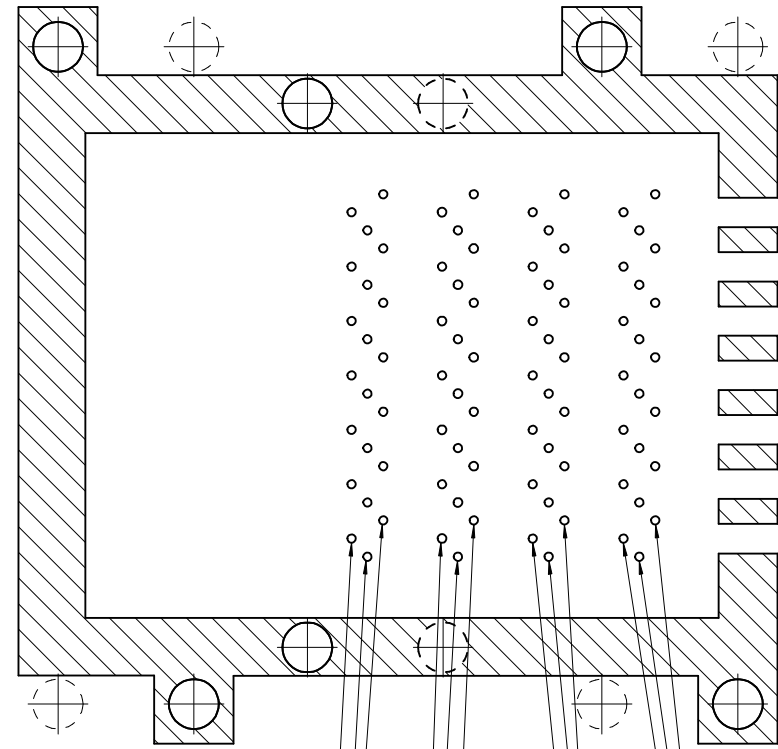
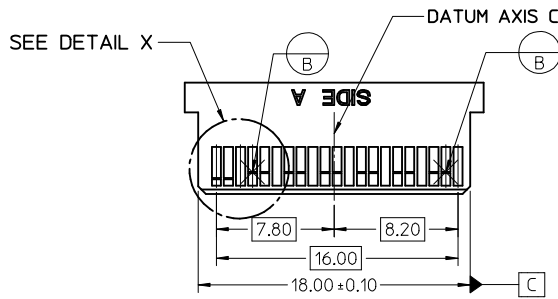
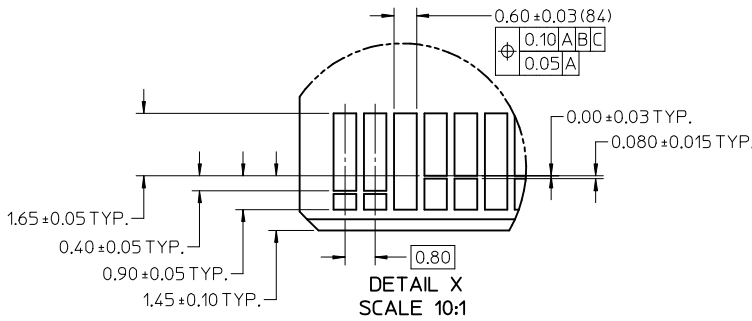
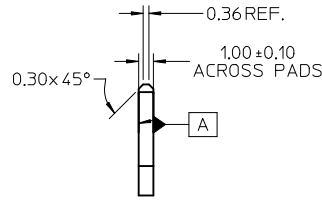
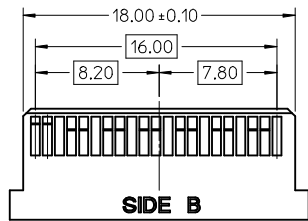
DETAIL A
SCALE 16:1

- NOTES:
- CROSS-HATCHED AREA TO BE CONDUCTIVE ON THE PCB.
 - CROSS-HATCHED AREA MUST BE INCORPORATED IN THE FLAT ROCK PRESS-FIT TOOLING.
 - REFER TO THE PLATING DETAIL OF THE COMPLIANT PIN HOLES IN THE APPLICATION SPEC AS-170465-0002 FOR THE DRILL SIZE AND ANNULAR RING FOR THE 0.37 ϕ FINISHED HOLE.
 - MINIMUM RECOMMENDED SPACING: 29.00
 - FEATURES IN PHANTOM LINES ARE RELATED FOR USE WITH CONNECTOR ASSEMBLY SERIES 170502 FOR GANGED SIDE BY SIDE AND BELLY TO BELLY APPLICATIONS.
 - NO SIGNAL ROUTING ON TOP LAYER.

RECOMMENDED PCB LAYOUT
COMPONENT SIDE SHOWN

PCB THICKNESS: 1.44mm MIN.

SEE SHEET 1 EC NO: UCP2013-2408 DRAWING PRATT: 2012/12/12 CHK'D: MBANAKIS 2012/12/12 APPR: MBANAKIS 2012/12/18	QUALITY SYMBOLS 	GENERAL TOLERANCES (UNLESS SPECIFIED)		DIMENSION STYLE MM ONLY	SCALE 6:1	DESIGN UNITS METRIC	THIRD ANGLE PROJECTION
		mm INCH	DRAWN BY JLONG DATE 2010/05/20	CHECKED BY JLONG DATE 2010/05/20	APPROVED BY MBANAKIS DATE 2012/12/18	TITLE I-PASS PLUS CXP EXTENDED 84 CIRCUIT, 0.8MM I/O	
REV: D1	DESCRIPTION DRAFT WHERE APPLICABLE MUST REMAIN WITHIN DIMENSIONS	MATERIAL NO. 1705010001	DOCUMENT NO. SD-170501-0001	SHEET NO. 2 OF 5	THIS DRAWING CONTAINS INFORMATION THAT IS PROPRIETARY TO MOLEX INCORPORATED AND SHOULD NOT BE USED WITHOUT WRITTEN PERMISSION		

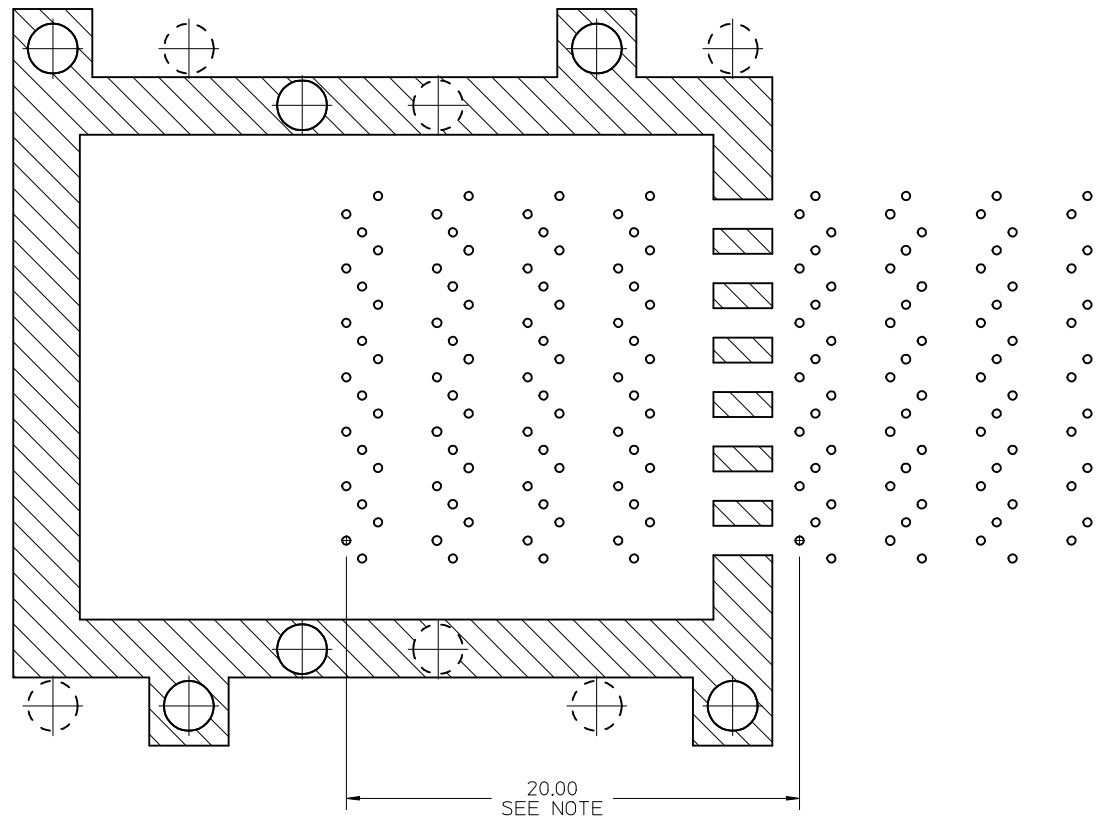


A2 B2 C3 D3
A1 B1 C1 D1
A3 B3 C2 D2

NOTES:

- 0.03 MINIMUM KEEP OUT FOR SOLDER MASK AROUND ALL PADS
- DATUM B TARGETS ARE DEFINED BY THE RESPECTIVE PAD CENTER LINES AND THE LEADING EDGE OF THE TARGET PADS

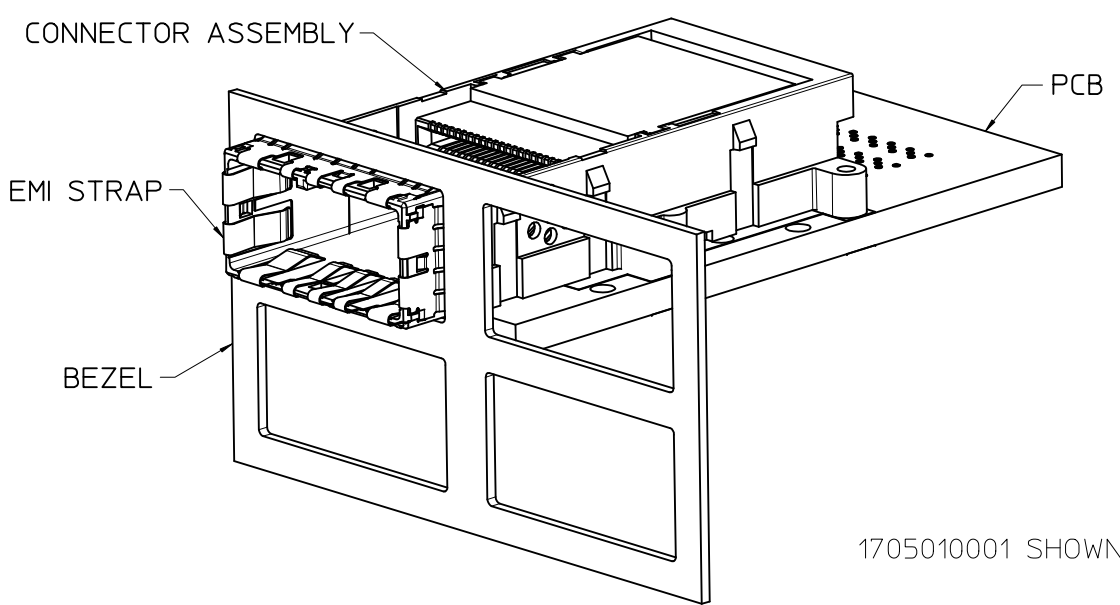
SEE SHEET 1 EC NO: UCP2013-2408 DRAWING PRATT 2012/12/12 CHKD: MBANAKIS 2012/12/12 APPR: MBANAKIS 2012/12/18	QUALITY SYMBOLS 	GENERAL TOLERANCES (UNLESS SPECIFIED)		DIMENSION STYLE MM ONLY	SCALE 6:1	DESIGN UNITS METRIC	THIRD ANGLE PROJECTION			
		4 PLACES ± --- ± ---	3 PLACES ± --- ± ---	2 PLACES ± 0.25 ± ---	1 PLACE ± --- ± ---	DRAWN BY JLONG	DATE 2010/05/20	TITLE I-PASS PLUS CXP EXTENDED 84 CIRCUIT, 0.8MM I/O		
		ANGULAR ± 1/2°		DRAFT WHERE APPLICABLE MUST REMAIN WITHIN DIMENSIONS		CHECKED BY JLONG	DATE 2010/05/20	APPROVED BY MBANAKIS		DATE 2012/12/18
		MATERIAL NO. 1705010001		DOCUMENT NO. SD-170501-0001		MOLEX INCORPORATED		SHEET NO. 3 OF 5		



NOTE:

1. WHEN USED WITH CONNECTOR SERIES 170502 VIA PATTERN WILL APPEAR AS SHOWN.

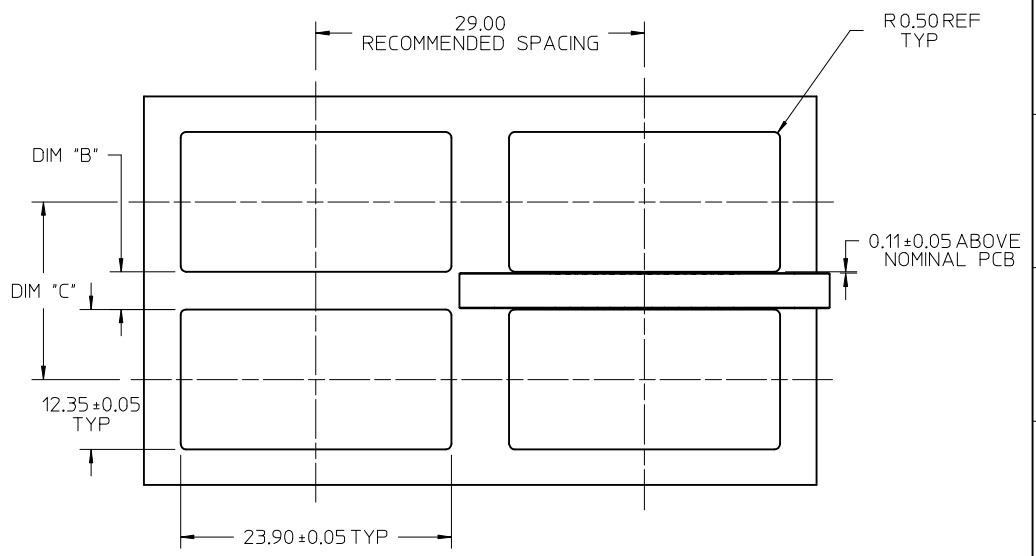
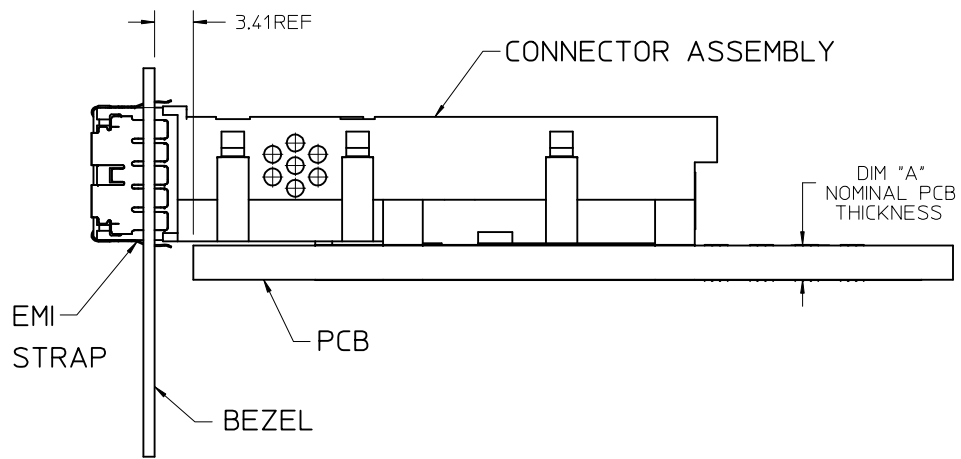
SEE SHEET 1 EC NO: UCP2013-2408 DRAWING PRATT 2012/12/12 CHKD: MBANAKIS 2012/12/12 APPR: MBANAKIS 2012/12/18	DESCRIPTION REV D1	QUALITY SYMBOLS	GENERAL TOLERANCES (UNLESS SPECIFIED)	DIMENSION STYLE	SCALE	DESIGN UNITS	THIRD ANGLE PROJECTION															
		$\nabla = \text{Ø}$ $\nabla = \text{Ø}$ $\nabla = \text{Ø}$	<table border="1"> <thead> <tr> <th></th> <th>mm</th> <th>INCH</th> </tr> </thead> <tbody> <tr> <td>4 PLACES</td> <td>± ---</td> <td>± ---</td> </tr> <tr> <td>3 PLACES</td> <td>± ---</td> <td>± ---</td> </tr> <tr> <td>2 PLACES</td> <td>± 0.25</td> <td>± ---</td> </tr> <tr> <td>1 PLACE</td> <td>± ---</td> <td>± ---</td> </tr> </tbody> </table>		mm	INCH	4 PLACES	± ---	± ---	3 PLACES	± ---	± ---	2 PLACES	± 0.25	± ---	1 PLACE	± ---	± ---	MM ONLY	6:1	METRIC	
			mm	INCH																		
		4 PLACES	± ---	± ---																		
3 PLACES	± ---	± ---																				
2 PLACES	± 0.25	± ---																				
1 PLACE	± ---	± ---																				
	ANGULAR ±1/2°	<table border="1"> <tr> <td>DRAWN BY</td> <td>DATE</td> </tr> <tr> <td>JLONG</td> <td>2010/05/20</td> </tr> <tr> <td>CHECKED BY</td> <td>DATE</td> </tr> <tr> <td>JLONG</td> <td>2010/05/20</td> </tr> <tr> <td>APPROVED BY</td> <td>DATE</td> </tr> <tr> <td>MBANAKIS</td> <td>2012/12/18</td> </tr> </table>	DRAWN BY	DATE	JLONG	2010/05/20	CHECKED BY	DATE	JLONG	2010/05/20	APPROVED BY	DATE	MBANAKIS	2012/12/18	TITLE		I-PASS PLUS CXP EXTENDED 84 CIRCUIT, 0.8MM I/O					
DRAWN BY	DATE																					
JLONG	2010/05/20																					
CHECKED BY	DATE																					
JLONG	2010/05/20																					
APPROVED BY	DATE																					
MBANAKIS	2012/12/18																					
DRAFT WHERE APPLICABLE MUST REMAIN WITHIN DIMENSIONS				MATERIAL NO.	DOCUMENT NO.		SHEET NO.															
				1705010001	SD-170501-0001		4 OF 5															
THIS DRAWING CONTAINS INFORMATION THAT IS PROPRIETARY TO MOLEX INCORPORATED AND SHOULD NOT BE USED WITHOUT WRITTEN PERMISSION																						



DIM "A"	DIM "B"	DIM "C"	MINIMUM PCB
3.10	3.32	15.67	10% NOM THK
1.60	1.82	14.17	1.44
2.80	3.02	15.37	10% NOM THK

NOTE: WITH 1.44 MINIMUM PCB THICKNESS, WILL NOT SUPPORT PLUGS WITH GREATER THAN 28 AWG CABLE.

1705010001 SHOWN



SEE SHEET 1 EC NO: UCP2013-2408 DRAWN: GPRATT 2012/12/12 CHKD: MBANAKIS 2012/12/12 APPR: MBANAKIS 2012/12/18	QUALITY SYMBOLS	GENERAL TOLERANCES (UNLESS SPECIFIED)	DIMENSION STYLE MM ONLY	SCALE 3:1	DESIGN UNITS METRIC	THIRD ANGLE PROJECTION
	▽=0	mm INCH	DRAWN BY DATE JLONG 2010/05/20	TITLE I-PASS PLUS CXP EXTENDED 84 CIRCUIT, 0.8MM I/O		
	▽=0	4 PLACES ± --- ± ---	CHECKED BY DATE JLONG 2010/05/20	MATERIAL NO. 1705010001		
	▽=0	3 PLACES ± --- ± ---	APPROVED BY DATE MBANAKIS 2012/12/18	DOCUMENT NO. SD-170501-0001		
D1	ANGULAR ±1/2°	DRAFT WHERE APPLICABLE MUST REMAIN WITHIN DIMENSIONS	SIZE C	SHEET NO. 5 OF 5		
THIS DRAWING CONTAINS INFORMATION THAT IS PROPRIETARY TO MOLEX INCORPORATED AND SHOULD NOT BE USED WITHOUT WRITTEN PERMISSION						