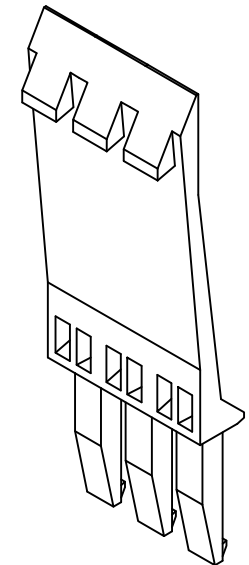
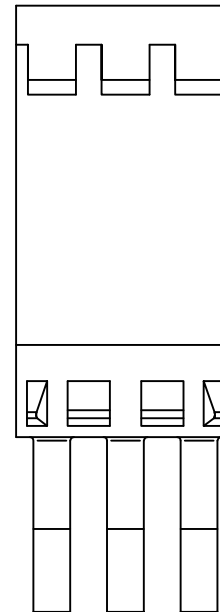
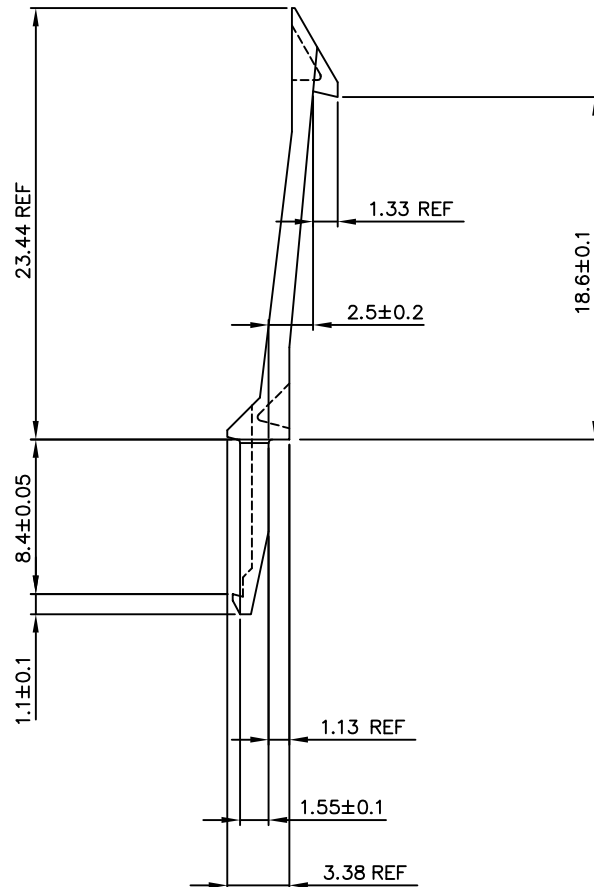
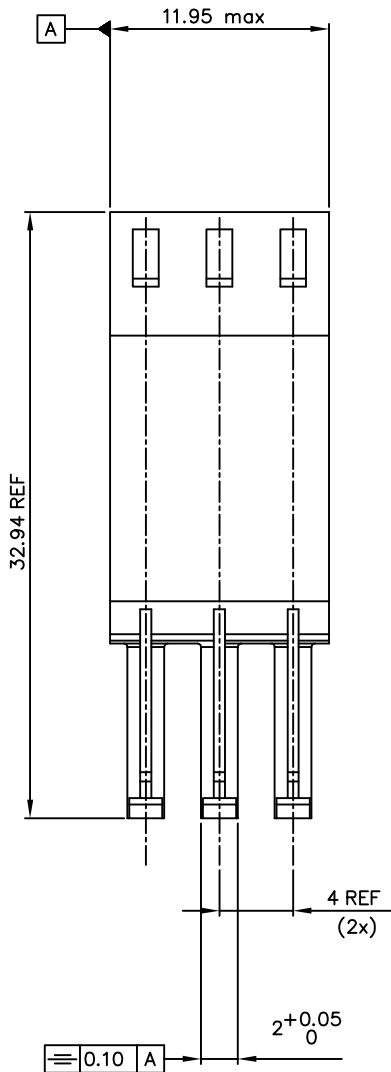
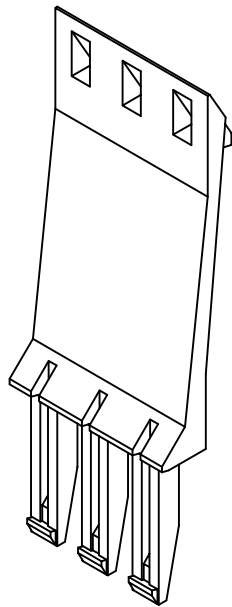


Partnumber:
85992-001LF



- NOTES:
- 1 Material: Glass filled thermoplastic, color black, UL 94 V-0
 2. THIS PRODUCT WITH "LF" SUFFIX MEETS EUROPEAN UNION DIRECTIVES AND OTHER COUNTRY REGULATIONS AS DESCRIBED IN GS -22-008.
 3. THE PRODUCT IS NOT INTENDED TO BE EXPOSED TO A MANUFACTURING SOLDER PROCESS.

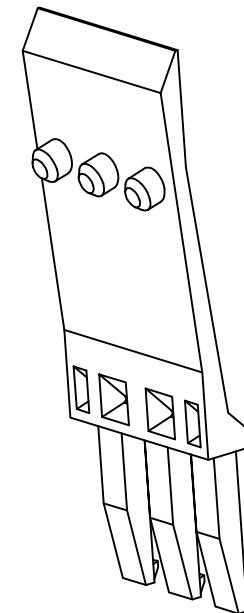
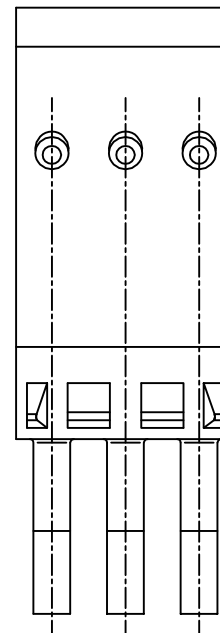
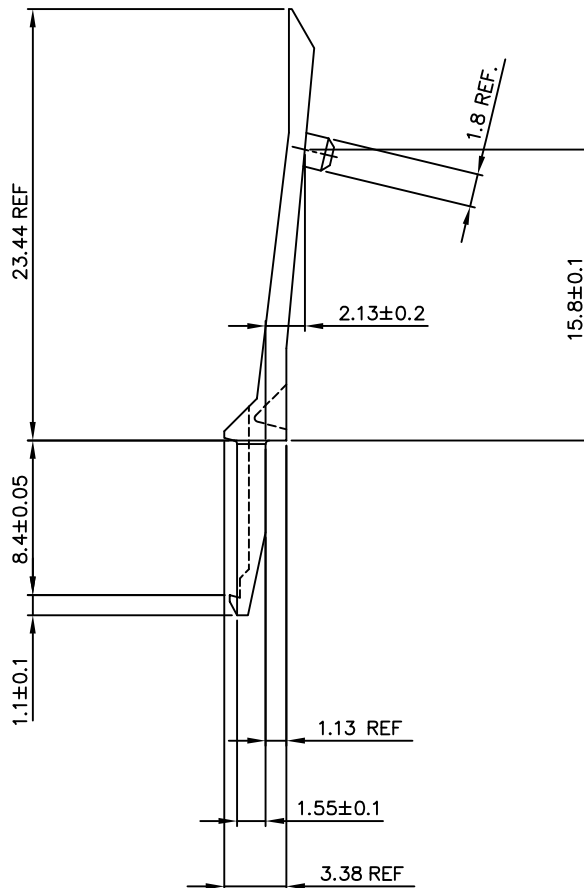
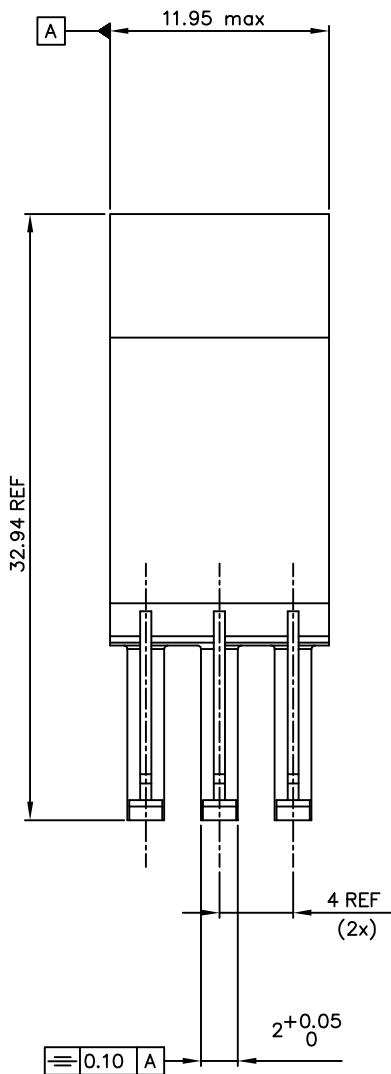
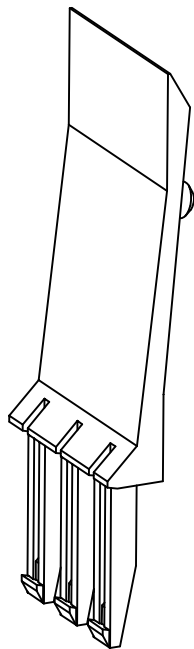
mat'l. code		tolerances unless otherwise specified		CUSTOMER COPY		FCI ELECTRONICS	
See note 1				COPY		www.fciconnect.com	
ltr	ecn no	dr	date	linear	projection	title 12 mm LATCH	
A	H70123	VWO	970221		⊕	EMI shielded cable connector	
B	H70802	VWO	971125			product family	Metral(tm)
C	H00525	VB	001221	angles	mm	size	dwg no 85992
D	005-040	CLU	051021	dr	H v Woensei	970221	sheet 1 of 3
				eng	H v Woensei	970221	
				chr	H Cooljmans	970221	
				app	H v Woensei	970221	
sheet	revision	D	D	D	scale 5:1		
Indx	sheet	1	2	3			

PDM: Rev.D

STATUS: Released

Printed: May 19, 2011

Partnumber:
85992-002LF



NOTES:

- 1 Material: Glass filled thermoplastic, color black, UL 94 V-0
2. THIS PRODUCT WITH "LF" SUFFIX MEETS EUROPEAN UNION DIRECTIVES AND OTHER COUNTRY REGULATIONS AS DESCRIBED IN GS -22-008.
3. THE PRODUCT IS NOT INTENDED TO BE EXPOSED TO A MANUFACTURING SOLDER PROCESS.

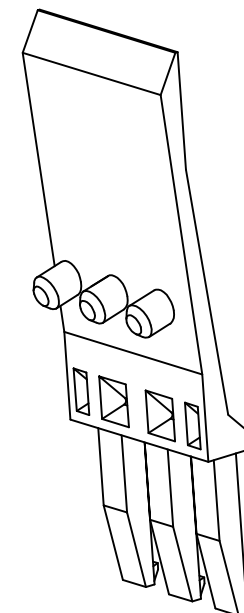
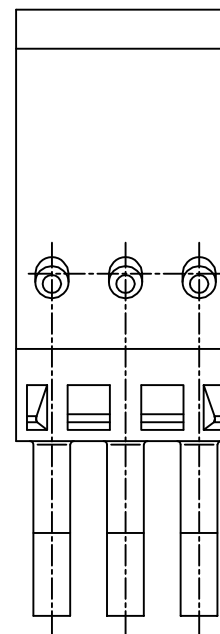
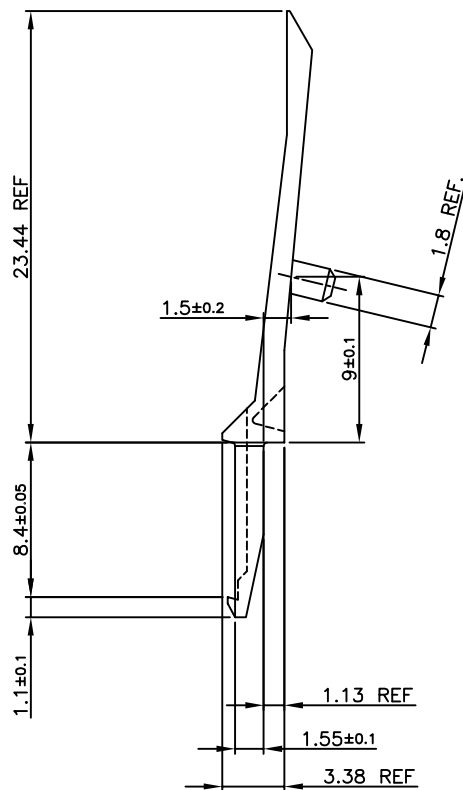
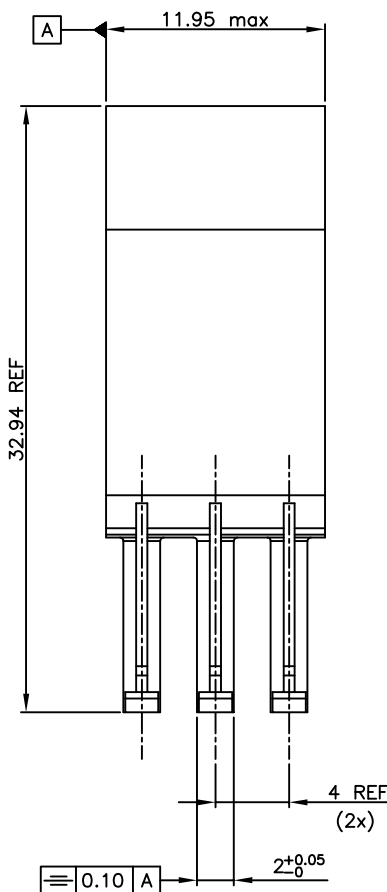
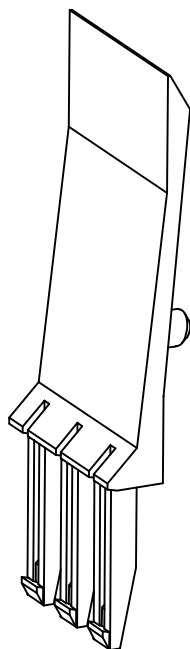
mat'l. code See note 1		tolerances unless otherwise specified		CUSTOMER COPY		ELECTRONICS www.fciconnect.com	
ltr	ecn no	dr	date	linear	projection	title 12 mm LATCH	
d				angles		EMI shielded cable connector	
				dr H v Woensei	970221	mm	product family Metral(tm)
				eng H v Woensei	970221	scale	code 213
				chr H Cooljmans	970221	5:1	sheet 2 of-
				app H v Woensei	970221	A2	85992

PDM: Rev.D

STATUS: Released

Printed: May 19, 2011

Part number
85992-003LF



- NOTES:
- 1 Material: Glass filled thermoplastic, color black, UL 94 V-0
 - 2 THIS PRODUCT WITH "LF" SUFFIX MEETS EUROPEAN UNION DIRECTIVES AND OTHER COUNTRY REGULATIONS AS DESCRIBED IN GS -22-008.
 - 3 THE PRODUCT IS NOT INTENDED TO BE EXPOSED TO A MANUFACTURING SOLDER PROCESS.

mat'l. code See note 1		tolerances unless otherwise specified		CUSTOMER COPY		ELECTRONICS www.fciconnect.com	
ltr	ecn no	dr	date	linear	projection	title 12 mm LATCH	
d				angles	mm	EMI shielded cable connector	
		dr	VISSCHERS	IB	001221	product family	Metral(tm)
		eng	W v.ALST	001221		code	213
		chr	W v.ALST	001221	scale	size	dwg no
		app	W v.ALST	001221	5:1	A2	85992
sheet	revision						
Indx	sheet						

PDM: Rev.D

STATUS: Released

Printed: May 19, 2011

Tous droits réservés. Reproduction ou utilisation sans autorisation de FCI S.A. est formellement interdite.

All rights reserved. Reproduction or use in any form without written authority from FCI is prohibited.