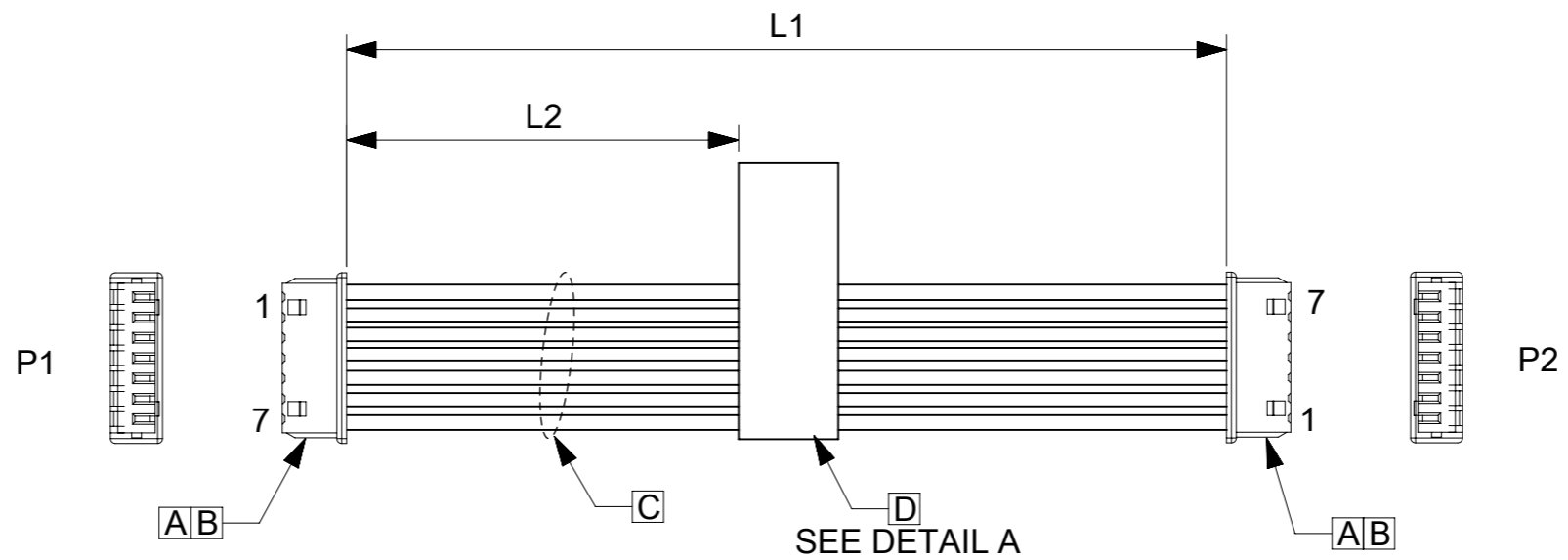
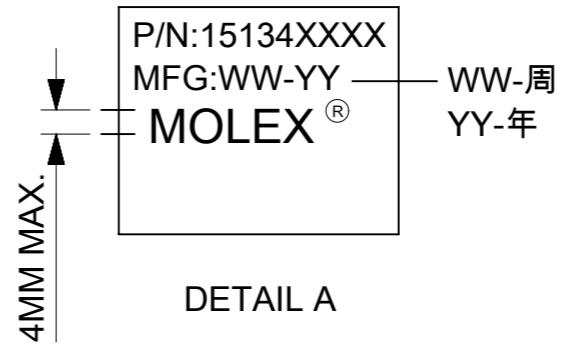


REVISIONS				
EC NO	DATE	REV	DESCRIPTION	CHANGER
	2016.07.26	A	INITIAL RELEASE.	DICK



PART NUMBER	L1	L2	TITLE
151340700	50±6	20±5	Picoblade 7 Circuit 50MM
151340701	100±6	45±5	Picoblade 7 Circuit 100MM
151340702	150±8	70±5	Picoblade 7 Circuit 150MM
151340703	300±10	145±10	Picoblade 7 Circuit 300MM
151340705	450±10	220±10	Picoblade 7 Circuit 450MM
151340706	600±10	295±10	Picoblade 7 Circuit 600MM



- NOTES**
- THIS PRODUCT MUST MEET 2011/65/EU ROHS COMPLIANCE.
此产品需符合 2011/65/EU ROHS环保要求.
 - ELECTRICAL PERFORMANCE REFER TO ES-000.
电气特性参考ES-000.
 - LABEL TEXT MUST BE 2mm MAX. IN HEIGHT WITH ARIAL FONT.
标签字高最大2mm,字体ARIAL.
 - STICK UL LABEL ON THE OUTSIDE CARTON.
外箱上贴UL标签.

ITEM	DESCRIPTION	L(MM)	Q'TY
D	Blank label 12.7x35.5mm (WHT:12.7mm) HF		1
C	UL&CSA 1061/#28 STR BLK	A/R	
B	1.25MM CRIMP REC TERMINAL		14
A	7CKT RECEPTACLE HOUSING		2

P1	P2	COLOR
1	7	BLACK
2	6	BLACK
3	5	BLACK
4	4	BLACK
5	3	BLACK
6	2	BLACK
7	1	BLACK

QUALITY SYMBOLS 	THIS DRAWING CONTAINS INFORMATION THAT IS PROPRIETARY TO MOLEX ELECTRONIC TECHNOLOGIES, LLC AND SHOULD NOT BE USED WITHOUT WRITTEN PERMISSION				
	EC NO: 106943 DRWN: WLXIE CHK'D: DHUANG16 APPR: YXZOU	2016/07/25 2016/07/26 2016/07/27	GENERAL TOLERANCES (UNLESS SPECIFIED) ANGULAR TOL ± ° 4 PLACES ± 3 PLACES ± 2 PLACES ± 1 PLACE ± 0 PLACES ±	DIMENSION UNITS: MM SCALE: NTS	 SEE TABLE PRODUCT CUSTOMER DRAWING
		DRWN BY: WLXIE DATE: 2016/07/11	CHK'D BY: DHUANG16 DATE: 2016/07/24	DRAWING SIZE: A3 THIRD ANGLE PROJECTION:	
		DRAFT WHERE APPLICABLE MUST REMAIN WITHIN DIMENSIONS		SERIES: 201234 MATERIAL NUMBER: SEE TABLE CUSTOMER: GENERAL MARKET	
DOCUMENT NUMBER: 2012341359 DOC TYPE: PSD DOC PART: 000 SHEET NUMBER: 1 OF 1					