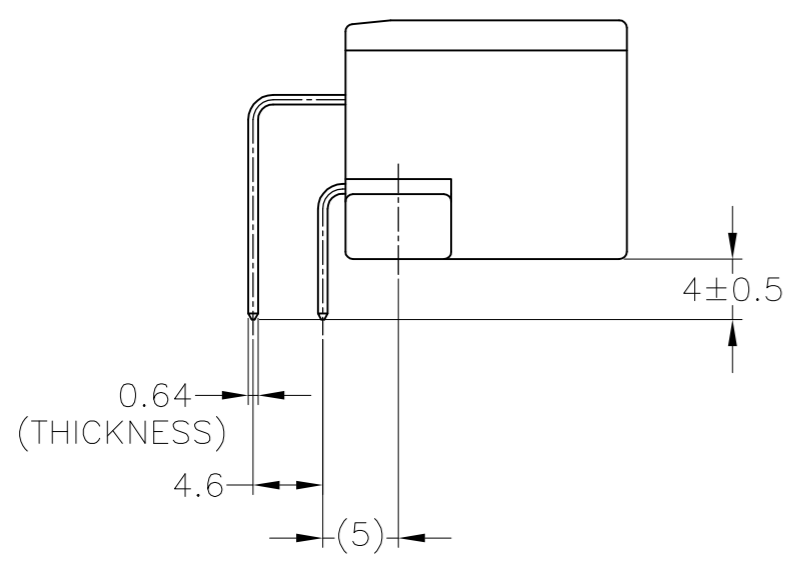
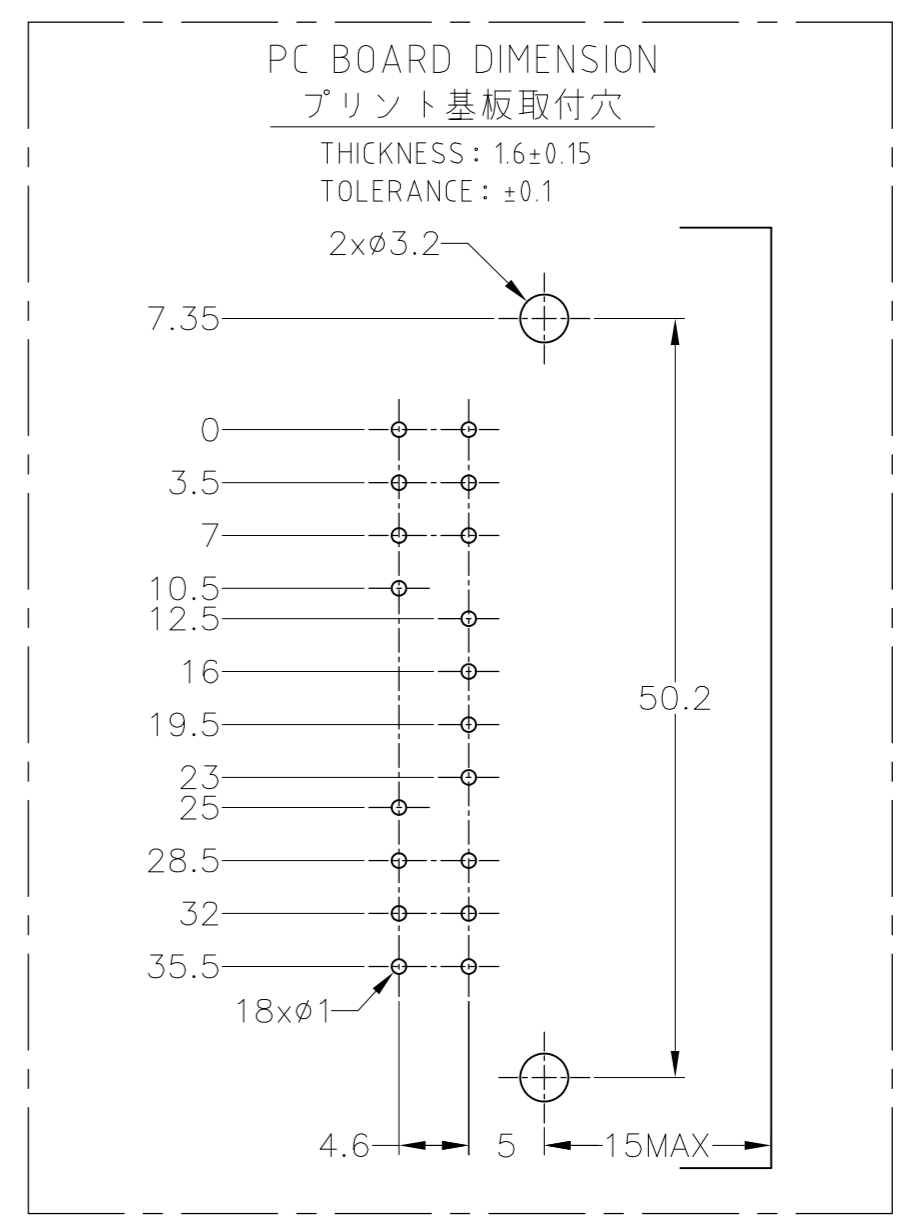
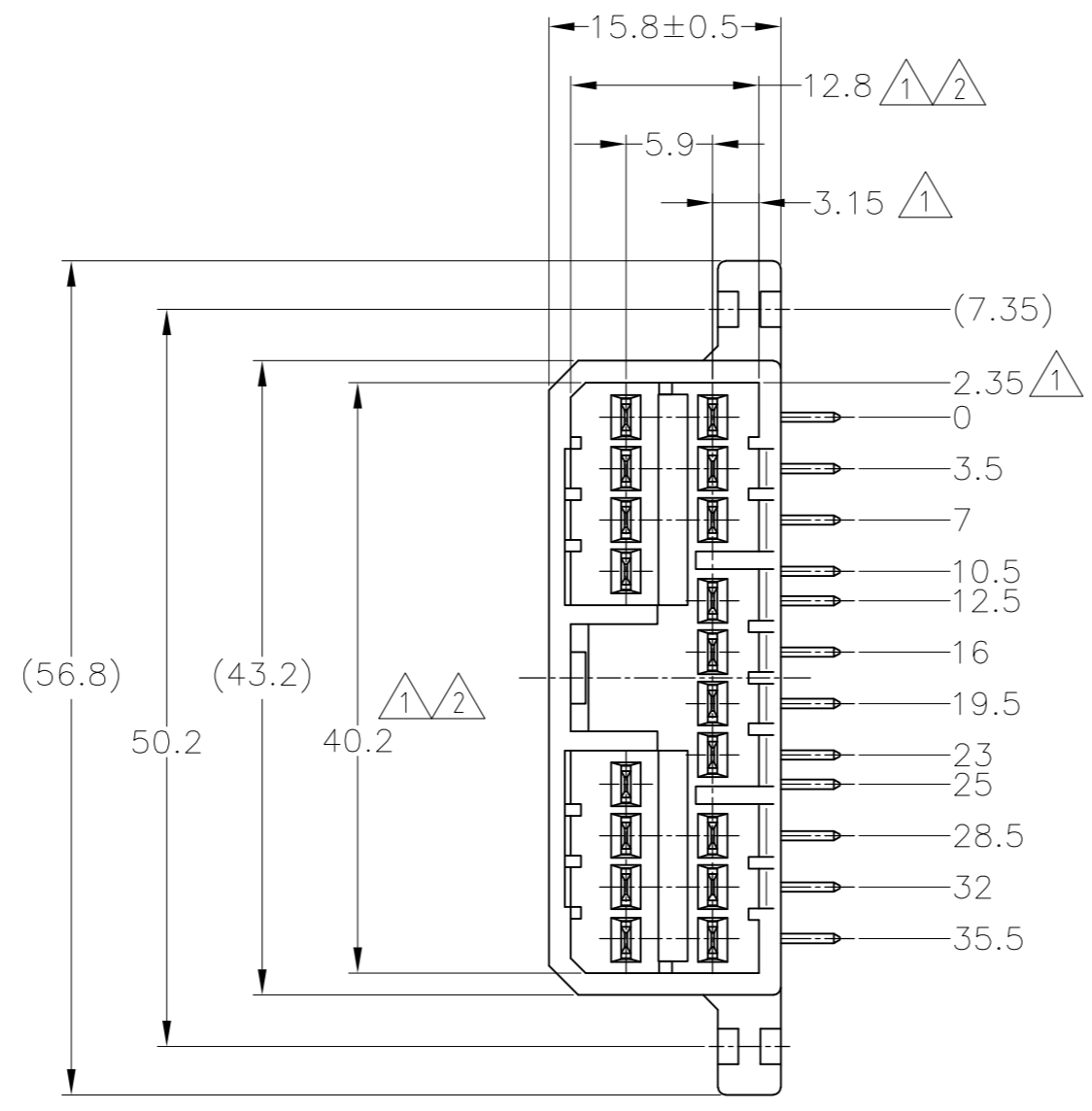
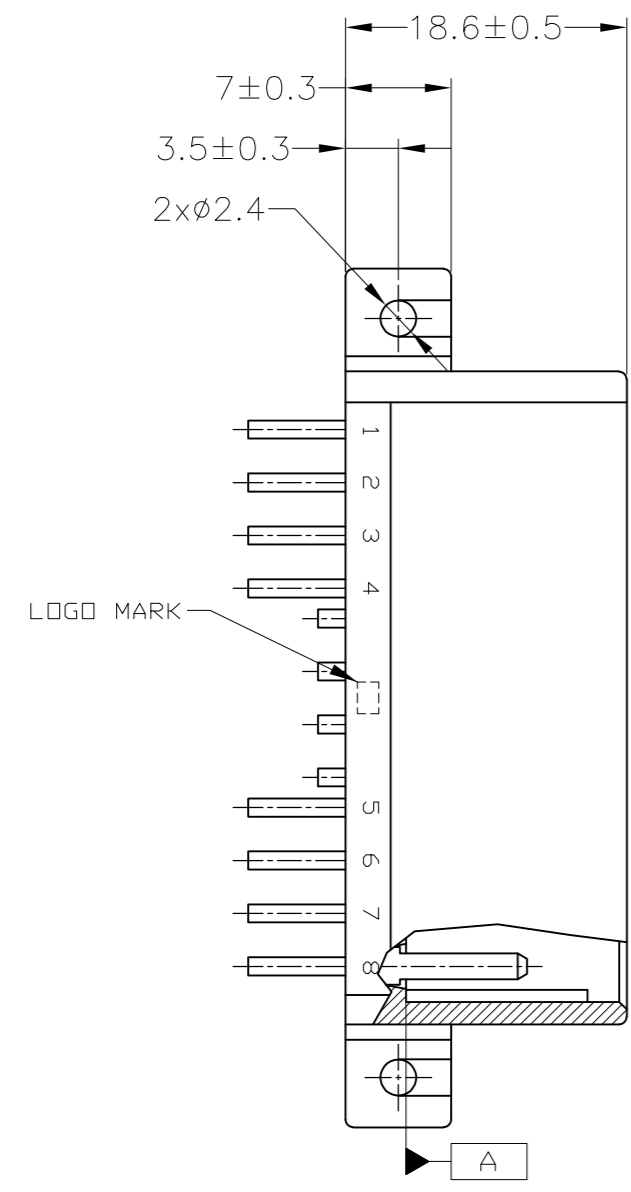


THIS DRAWING IS UNPUBLISHED. RELEASED FOR PUBLICATION  
 © COPYRIGHT 2016 By Tyco Electronics Japan G.K. ALL RIGHTS RESERVED.

REVISIONS					
P	LTR	DESCRIPTION	DATE	DWN	APVD
V4	OBSOLETE 2--1	ECR-16-003088	16AUG16	KF	HY



- 1. TO BE MEASURED BETWEEN [A] AND 2.
  - 2. TO BE MATE WITH PLUG HSG SMOOTHLY.
  - 3. TO BE USE M3 TAPPING SCREW JIS B1115 OR 1122 (TYPE2 OR 4) BEFORE SOLDER (TIGHTENING TORQUE : 0.4N-m (4Kg-cm) MAX.)
  - 4. CIRCUIT NUMBER ; SEE FIG.1.
- 1. [A] 面より2mmの範囲で測定。
  - 2. 相手ハウジングと所定の機能を満足して嵌合できること。
  - 3. プリント基板への取付は、JIS B1115又は1122, M3×6ナベ (2種又は4種)のタッピングネジで締付けた後ハンダ付する。(締付トルク : 0.4N-m (4Kg-cm)以下)
  - 4. 回路番号 : FIG.1参照のこと。

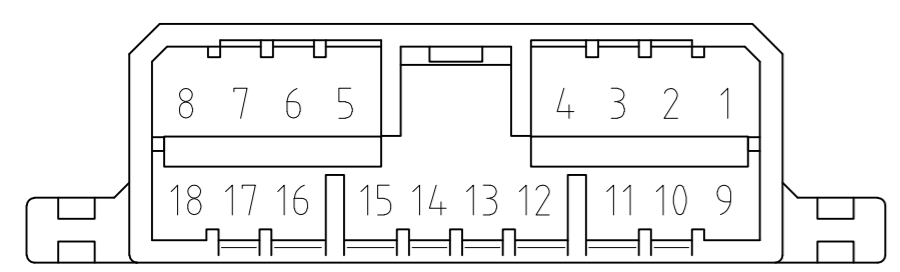


FIG.1 4

HB	SELECTIVE-TIN (MATTE)	SELECTIVE GOLD x 2	5,15 (2極)	1~4,6~14,16~18 (16極)	NATURAL 自然色	4-5173862-1
HB	PRE-TIN x 16	SELECTIVE GOLD x 2	11,12 (2極)	1~10,13~18 (16極)	NATURAL 自然色	6-5173862-1
HB	PRE-TIN x 16	SELECTIVE GOLD x 4	1,3,9,13 (4極)	2,4~8,10~12,14~18 (14極)	GREEN 緑色	5-5173862-4
HB	PRE-TIN x 14	SELECTIVE GOLD x 4	1,3,9,13 (4極)	2,4~8,10~12,14~18 (14極)	NATURAL 自然色	5-173862-1
HB	PRE-TIN x 16	SELECTIVE GOLD x 2	5,15 (2極)	1~4,6~14,16~18 (16極)	NATURAL 自然色	4-173862-1
HB	PRE-TIN x 12	SELECTIVE GOLD x 6	10~13,16,17 (6極)	1~9,14,15,18 (12極)	NATURAL 自然色	3-173862-1
HB	TIN-LEAD	SELECTIVE GOLD x 18	1~18 (全極)	-	GREEN 緑色	2-173862-4
HB	TIN-LEAD	SELECTIVE GOLD x 18	1~18 (全極)	-	NATURAL 自然色	2-173862-1
HB	TIN-LEAD	SELECTIVE GOLD x 2	8,18 (2極)	1~7,9~17 (16極)	NATURAL 自然色	1-173862-1
HB	PRE-TIN x 18		-	1~18 (全極)	GRAY 灰色	173862-6
HB	PRE-TIN x 18		-	1~18 (全極)	BLUE 青色	173862-5
HB	PRE-TIN x 18		-	1~18 (全極)	GREEN 緑色	173862-4
HB	SELECTIVE-TIN (MATTE)	SELECTIVE-TIN (BRIGHT)	-	1~18 (全極)	NATURAL 自然色	173862-3
HB	PRE-TIN x 18		-	1~18 (全極)	BLACK 黒色	173862-2
HB	PRE-TIN x 18		-	1~18 (全極)	NATURAL 自然色	173862-1

SEE CUSTOMER DRAWING 7-173862-1

HB	TIN-LEAD	SELECTIVE GOLD x 2	11,12 (2極)	1~10,13~18 (16極)	NATURAL 自然色	6-173862-1
HB	PRE-TIN x 16	SELECTIVE GOLD x 4	1,3,9,13 (4極)	2,4~8,10~12,14~18 (14極)	GREEN 緑色	5-173862-4
HB	PRE-TIN x 14	SELECTIVE GOLD x 4	1,3,9,13 (4極)	2,4~8,10~12,14~18 (14極)	NATURAL 自然色	5-173862-1

HB	TIN-LEAD	SELECTIVE GOLD x 2	5,15 (2極)	1~4,6~14,16~18 (16極)	NATURAL 自然色	4-173862-1
HB	PRE-TIN x 18	SELECTIVE GOLD x 18	1~18 (全極)	-	GREEN 緑色	2-173862-4
HB	PRE-TIN x 18	SELECTIVE GOLD x 18	1~18 (全極)	-	NATURAL 自然色	2-173862-1
HB	PRE-TIN x 18	SELECTIVE GOLD x 2	8,18 (2極)	1~7,9~17 (16極)	NATURAL 自然色	1-173862-1
HB	PRE-TIN x 18		-	1~18 (全極)	GRAY 灰色	173862-6
HB	PRE-TIN x 18		-	1~18 (全極)	BLUE 青色	173862-5
HB	PRE-TIN x 18		-	1~18 (全極)	GREEN 緑色	173862-4
HB	SELECTIVE-TIN (MATTE)	SELECTIVE-TIN (BRIGHT)	-	1~18 (全極)	NATURAL 自然色	173862-3
HB	PRE-TIN x 18		-	1~18 (全極)	BLACK 黒色	173862-2
HB	PRE-TIN x 18		-	1~18 (全極)	NATURAL 自然色	173862-1

USED MATERIAL	SOLDERING SIDE 半田付け面	CONTACT SIDE 接触部側	GOLD PLATED CIRCUIT NO. 金めっき回路番号	PRE-TIN CIRCUIT NO. 鉛めっき回路番号	COLOR 色	PART NUMBER 製品型番
FLAMMABILITY	CONTACT FINISH コンタクト仕上		4	4		

TOLERANCE UNLESS OTHERWISE SPECIFIED: 一般公差

0 < x ≤ 10	: ±0.2
10 < x ≤ 30	: ±0.25
30 < x ≤ 100	: ±0.3
ANGLE	: ±3°

THIS DRAWING IS A CONTROLLED DOCUMENT.

DWN	T.SHINOHARA	15AUG05
CHK	K.BETSUI	15AUG05
APVD	K.BETSUI	15AUG05

NAME: 108-5216

PRODUCT SPEC: APPLICATION SPEC

WEIGHT: 9.6 g

CUSTOMER DRAWING

TE Connectivity

070 SERIES MULTI-LOCK I/O CONNECTOR 18POSITION CAP HOUSING ASSEMBLY

SIZE: A2 CAGE CODE: 00779 DRAWING NO: 173862 RESTRICTED TO: -

SCALE: 2:1 SHEET: 1 of 1 REV: V4