

SPECIFICATIONS

RoHS Compliant

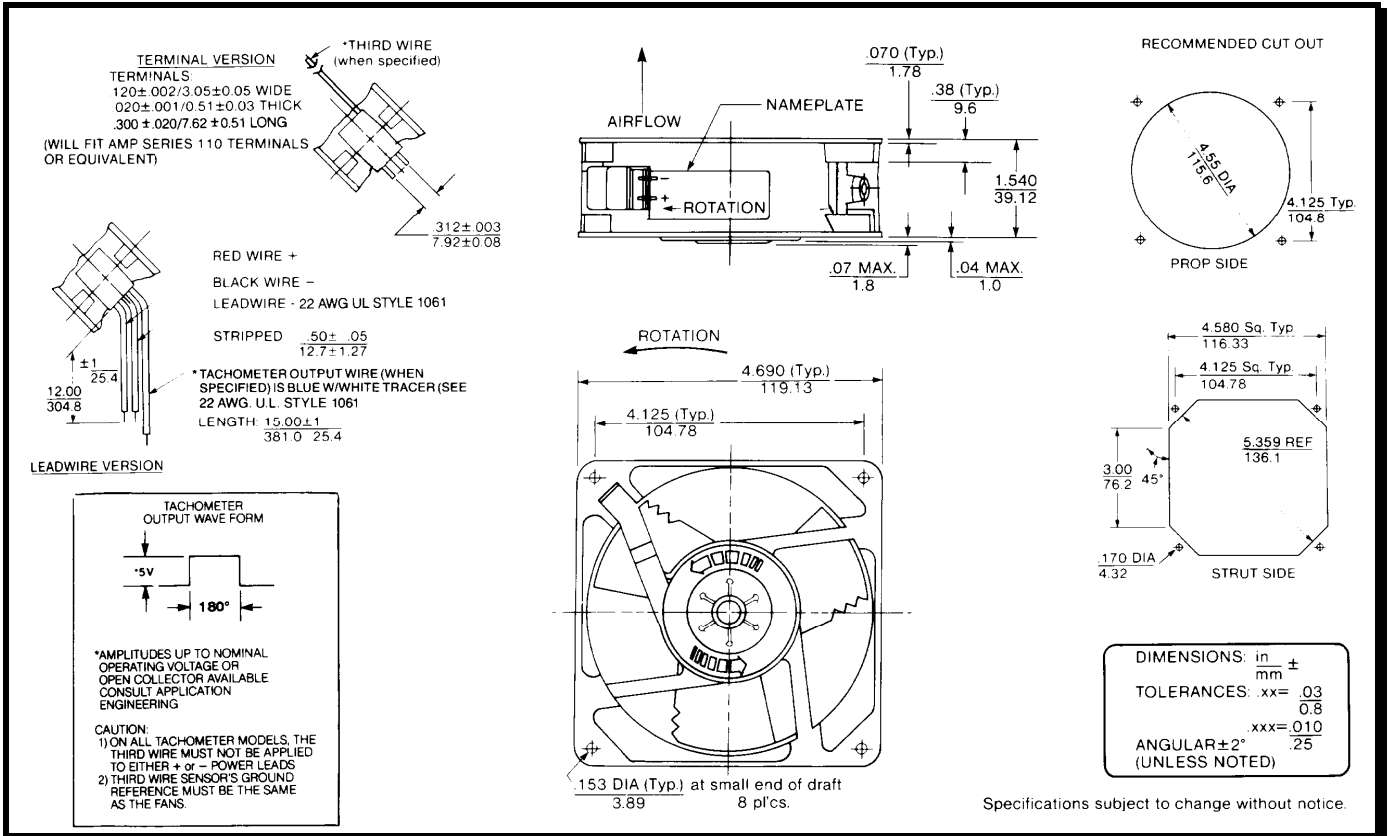


Model Number: WD48B7

Part Number: 030714

December 16, 2004

Mechanical Drawing:



Motor:

Nominal Voltage = 48vdc
 Operating Voltage Range = 24 - 56vdc
 Nominal Running Current = 0.090 amps
 Locked Rotor Current = 0.235 amps
 Running Power = 4.3 watts
 Average Speed = 2475 rpm
 Bearings = Ball
 Air Flow = 85 CFM
 Acoustic = 41.1 dBA

Construction:

Venturi: Die-Cast Zinc Alloy, Black
 Propeller: Plastic, Black, UL 94V-0

Agency Approvals:

UL

Life Expectancy:

This fan is designed for continuous duty life of 83,000 hours at 40°C.

Additional Features:

Brushless DC Motor
 Locked Rotor Protection
 Polarity Protected
 Automatic Restart Capability
 Operating Temperature: -10°C to 70°C
 Storage Temperature: -40°C to 85°C

Tachometer:

Output: 5 Vdc TTL Compatible
 I_c: 5 mA Typical
 Isolated: No
 Pulses per Revolution: 1

Termination:

12" Length, AWG 22, UL 1061
 Red = Power (+)
 Black = Return (-)
 Blue/White = Tachometer (Output)