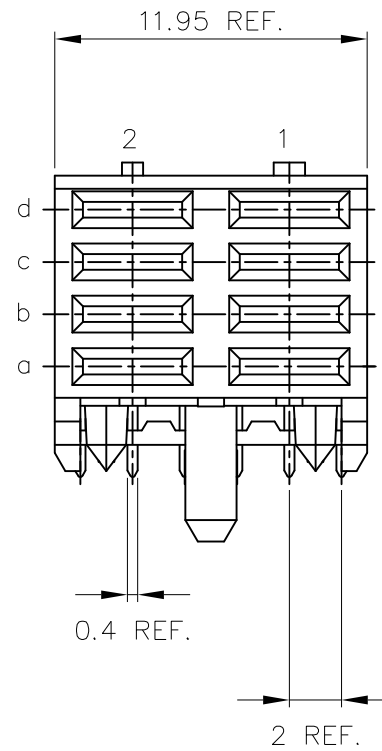
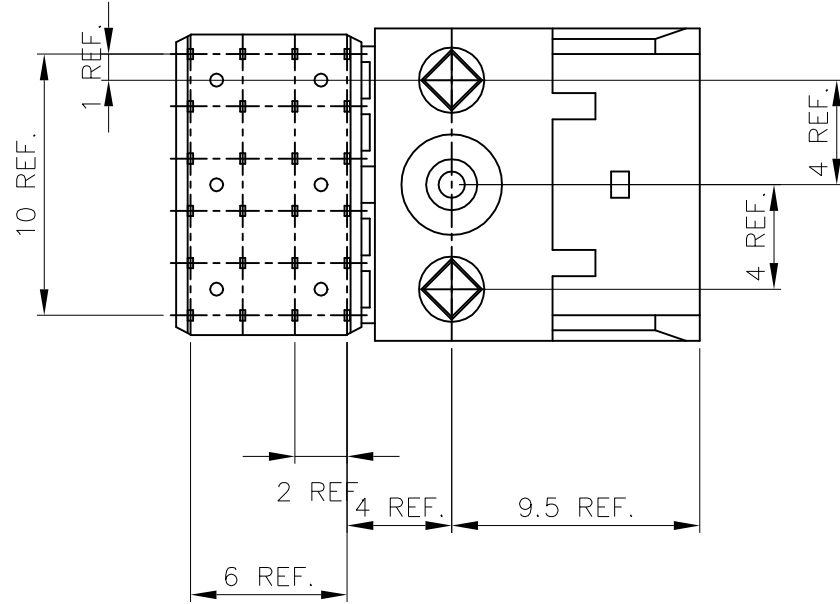
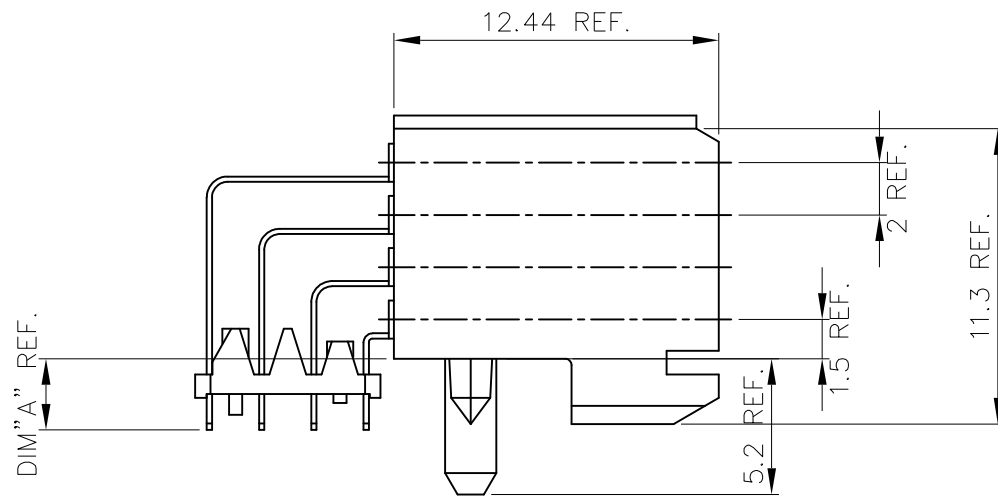
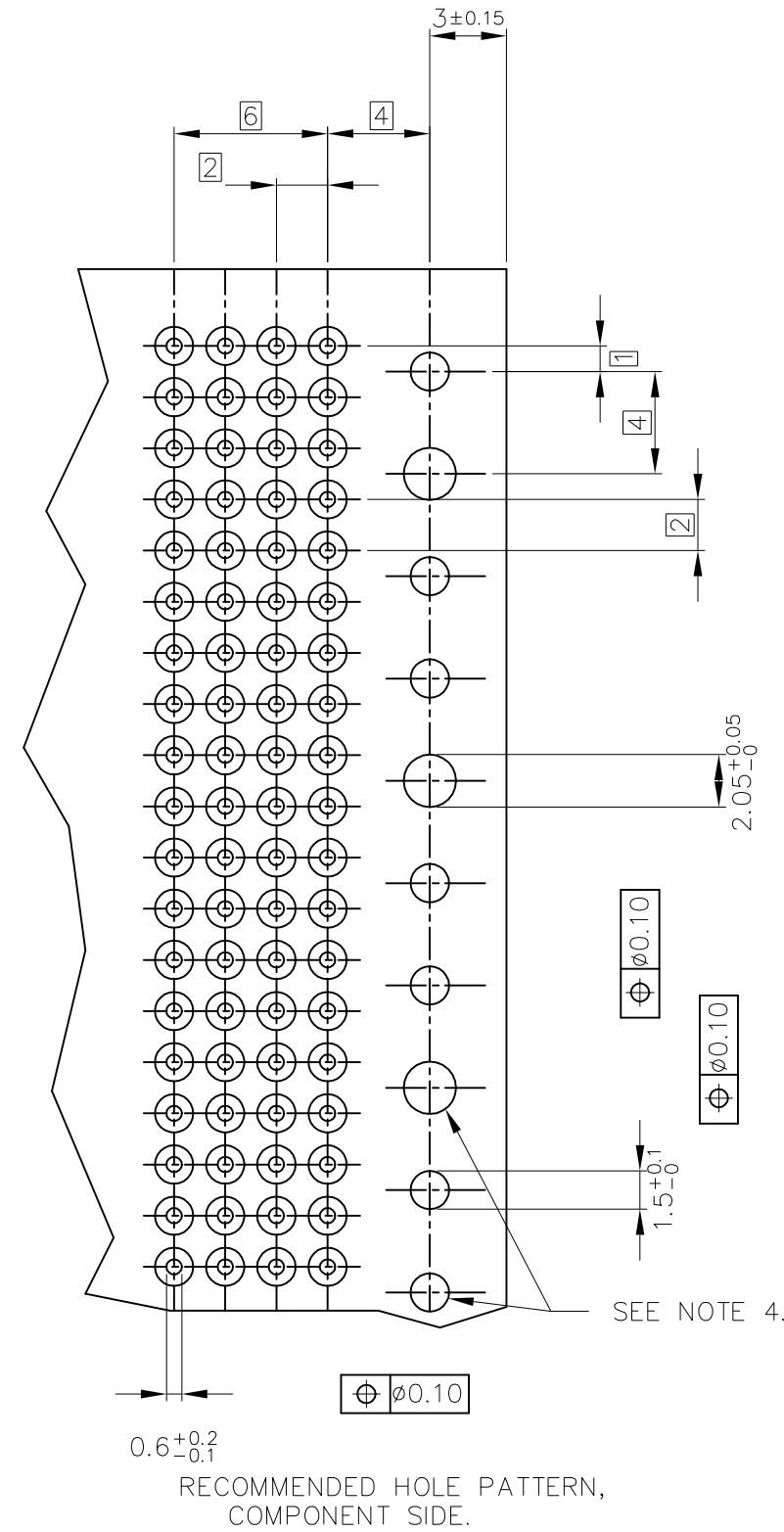
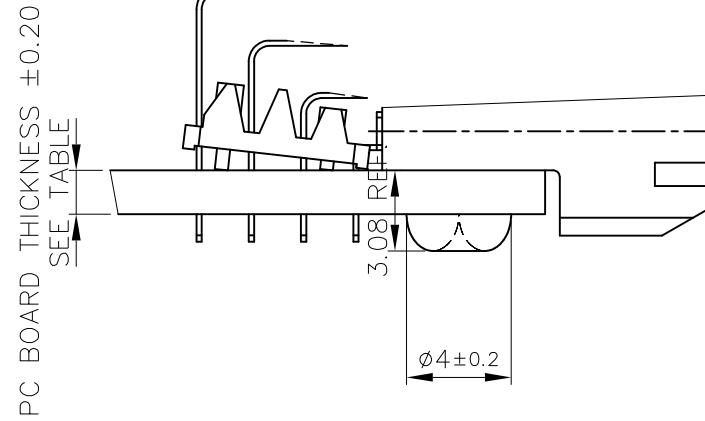


PC BOARD VERSIONS		
PRODUCTNR:	PCB THICKNESS	DIM "A"
85699-701/701LF	1.6	2.90
85699-711/711LF	2.4	3.53



PRODUCT AFTER HOT RIVETTING.



NOTES:

- 1 BODY MAT'L: LIQUID CRYSTAL POLYMER 30% GLASS FLAME RETARDANT ACC. UL 94-V0
- 2 TERMINAL MATERIAL: PHOSPHOR BRONZE.
- 3 PLATING SOLDER TAILS 2-8 µm SnPb 90-97.
- 4 INDICATED HOLES ARE UNPLATED.
- 5 PRODUCT MARKING: PART NUMBER (see lower table) & BATCH ID.
- 6 THIS PRODUCT MEETS EUROPEAN UNION DIRECTIVES AND OTHER COUNTRY REGULATIONS AS DESCRIBED IN GS-22-008.
- 7 THE HOUSING WILL WITHSTAND EXPOSURE TO 260 DEGREE PEAK TEMPERATURE FOR 10 SECONDS IN A WAVE SOLDER APPLICATION.
- 8 FOR THE PRODUCT WITH 30µ" GOLD PLATING IN TERMINAL, THEY CAN BE REPLACED BY 30 GXT PLATING.

PRODUCT NR:	PLATING CONTACT AREA, PERFORMANCE LEVEL	P/N PRINTING
85699-71Z	CUSTOMER SPECIAL	RNV 636 1181
85699-70Z	CUSTOMER SPECIAL	RNV 636 1111
85699-71ZLF	CUSTOMER SPECIAL	85699-71ZLF
85699-70ZLF	CUSTOMER SPECIAL	85699-70ZLF

mat'l. code		surface ISO 1302 ✓		tolerance ISO 406 ISO 1101		projection		product family METRAL	
ltr		ecn no		dr		date		tolerances unless otherwise specified	
A		H80170		PHE		980316		angles linear	
B		H80210		PHE		980403		MM	
C		DG05-0239		CLu		050725		scale 5:1	
D		DG07-0458		Cenh		11/15/07		dr P. Hendrikse 980316	
E		ELX-N-26608		MZ		3/28/17		enr P. Schalk 980316	
								chr P. Schalk 980316	
								appd P. Schalk 980316	
sheet index		revision sheet		E 1				Amphenol FCI	
								product family METRAL	
								title RA FEMALE POWER STB 12 mm VERSION	
								dwg no 85699 sheet 1 of 1 size A3	
								type Product Customer Drawing	