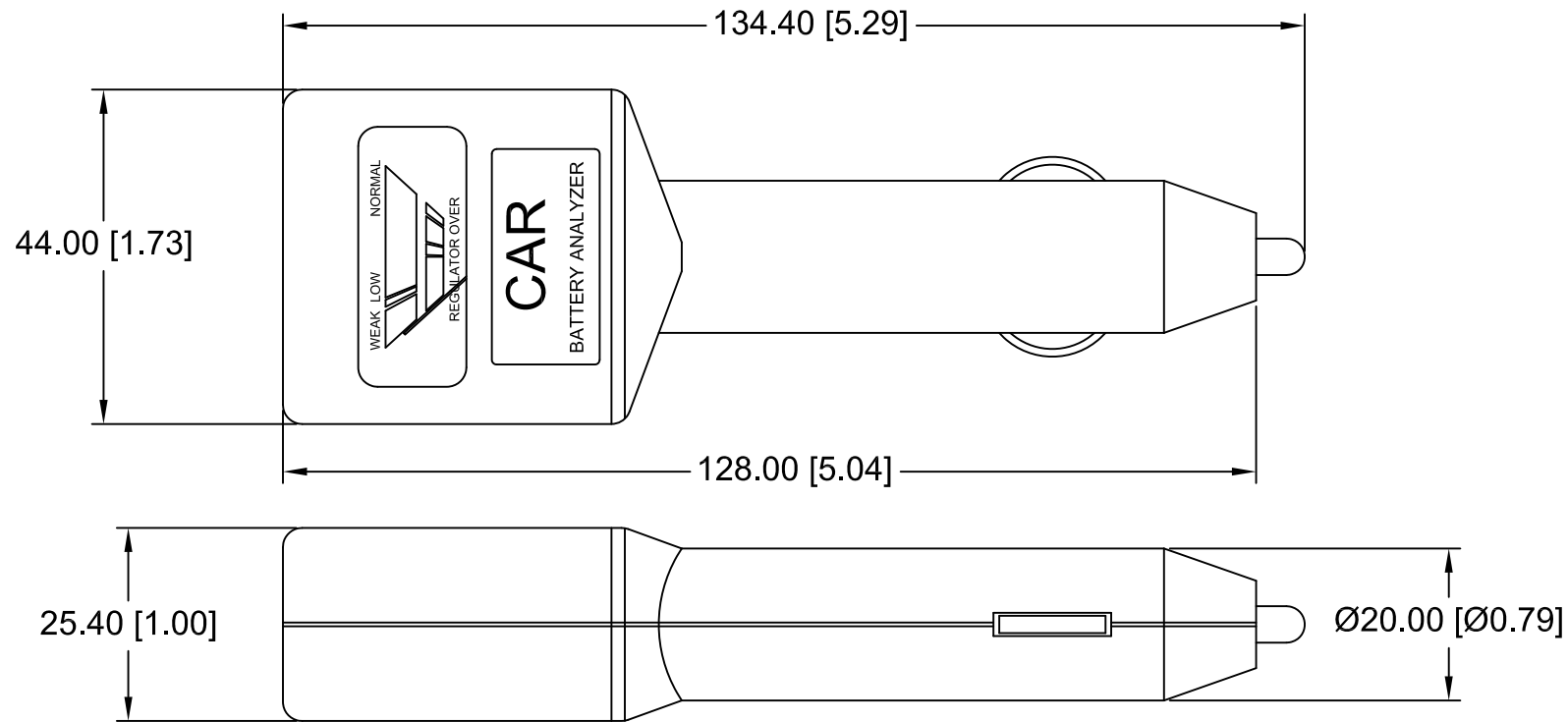



| Date | SYM | REVISION RECORD | AUTH | DR. | CK. |
|------|-----|-----------------|------|-----|-----|
|      |     |                 |      |     |     |
|      |     |                 |      |     |     |
|      |     |                 |      |     |     |



NOTE:

- CASING: ABS
- NEG. TERMINAL: STEEL
- POS. TERMINAL: STEEL, NICKEL PLATED
- SCREW: IRON, PLATED BLACK
- ROHS COMPLIANT

|                                |   |   |               |
|--------------------------------|---|---|---------------|
| Tolerance<br>(Except as noted) |  | <b>Memory Protection Devices, Inc</b><br>200 Broad Hollow Road, Farmingdale, New York 11735 |               |
| decimal<br>±.020 (.5)          |   | Scale   | Drawn By B.S. |
| Fractional<br>± .030 (.8)      | Title<br>CAR BATTERY ANALYZER WITH AUTO PLUG  |   |               |
| Angular<br>± 3°                | Date<br>05/28/10  | Drawing Number<br>AP-125  |               |
|                                |   | Approved By T.B.  |               |