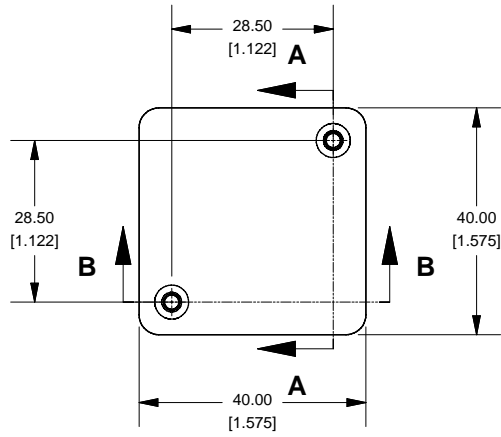


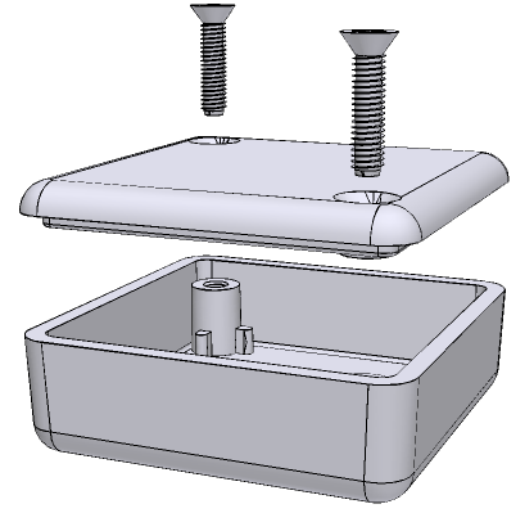
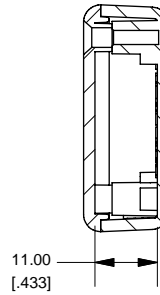
2

1

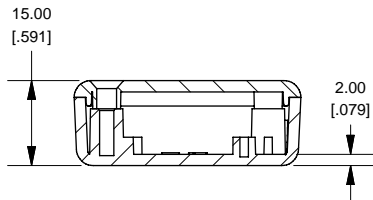
Top View of Assembly



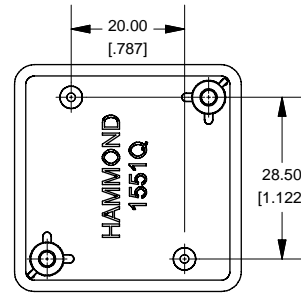
SECTION A-A End View of Assembly



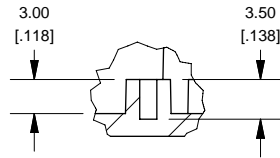
SECTION B-B Side View of Assembly



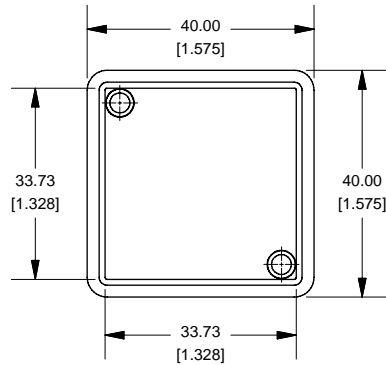
Top View Looking Inside Box



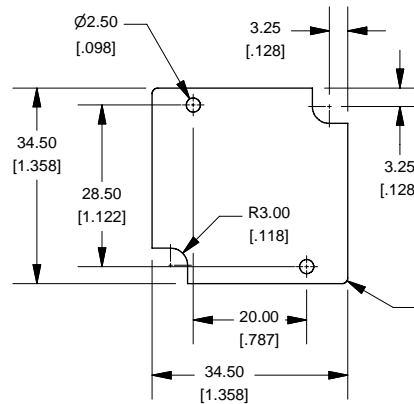
SECTION C-C Boss Heights



Lid



Maximum P.C. Board Size



NOTE

Purchased assembly includes lid and box made from GP ABS material and cover screws.

1551Q

1551Q Enclosure

Black Enclosure - RAL 9011 - UL94 - HB	1551QBK
--	---------

Gray Enclosure - RAL 7035 - UL94 - HB	1551QGY
---------------------------------------	---------

Translucent Blue - UL94 - HB	1551QTBU
------------------------------	----------

ACCESSORIES

Recommended Screw Torque: 15-20 ozf.in (10-15 cN.m)

Black Enclosure Cover Screws (Pkg 100)	[#4	1591TS100BK
--	-----	-------------

X 1/2" Self Tapping]		
----------------------	--	--

Grey Enclosure Cover Screws (Pkg 100)	[#4	1591TS100
---------------------------------------	-----	-----------

X 1/2" Self Tapping]		
----------------------	--	--

P.C. Board Screws (Pkg 100)		1551ATS100
-----------------------------	--	------------

[#2 x 3/16" Self Tapping]		
---------------------------	--	--

**HAMMOND
MANUFACTURING™**

1551Q

www.hammondmfg.com

2

1