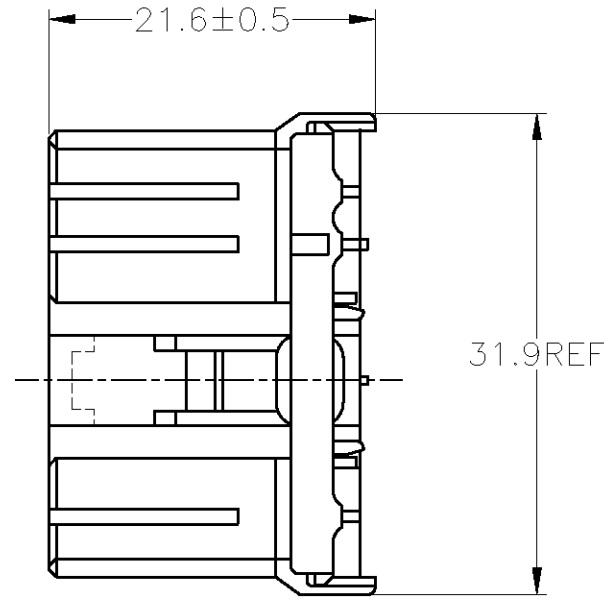
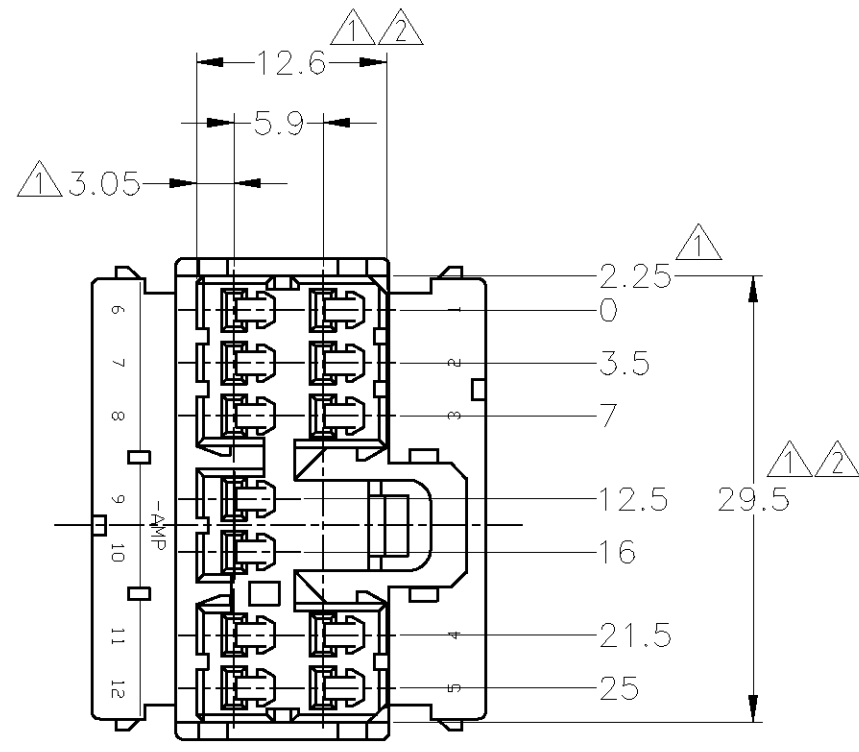


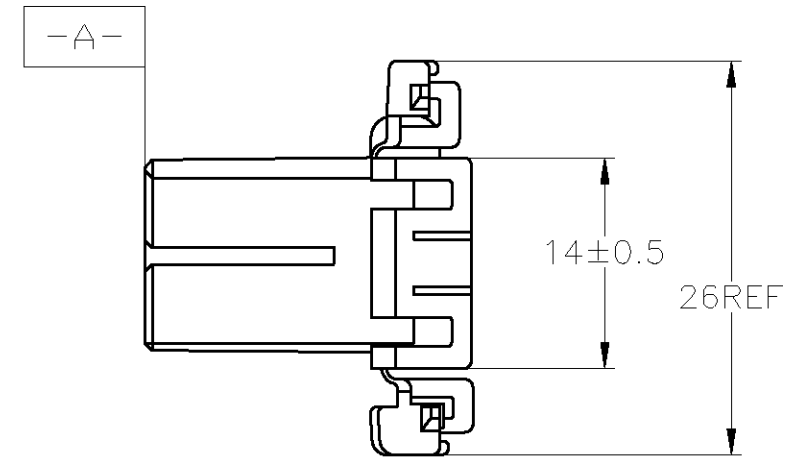
THIS DRAWING IS UNPUBLISHED. RELEASED FOR PUBLICATION
 © COPYRIGHT - By - ALL RIGHTS RESERVED.

LOC	DIST	REVISIONS					
		P	LTR	DESCRIPTION	DATE	DWN	APVD
J	-	E1		REDRAWN W/CHANGE	ECR-12-021403	13DEC2012	TS KB



△ MUST BE KEPT BETWEEN [-A-] AND 2
 △ TO BE MATED WITH THE CAP HOUSING SMOOTHLY
 3. APPLIED CONTACT PART NUMBER; 173630 AND 173631

△ [-A-] 面より2mmの範囲で測定
 △ 相手ハウジングと所定の機能を満足して嵌合できること
 3. 内装するリセプタクルコンタクト型番173630 及び 173631



V-2	自然色 (NATURAL)	1-173851-1
HB	オレンジ (ORANGE)	173851-8
	灰 (GRAY)	173851-6
	青 (BLUE)	173851-5
	緑 (GREEN)	173851-4
	黒 (BLACK)	173851-2
	自然色 (NATURAL)	173851-1
使用材料難燃グレード (FLAMMABILITY OF MATERIAL)	色 (COLOR)	型番 (PART NUMBER)

THIS DRAWING IS A CONTROLLED DOCUMENT.

DIMENSIONS: 単位: 耗 mm	TOLERANCES UNLESS OTHERWISE SPECIFIED: 一般公差	DWN T.SHINOHARA 13DEC2012	STE TE Connectivity	
	0 PLC ±- 1 PLC ±- 2 PLC ±- 3 PLC ±- 4 PLC ±- ANGLES ±-	CHK K.BETSUI 13DEC2012		
MATERIAL 材料 PBT	FINISH 仕上 -	APVD K.BUTSUI 13DEC2012	NAME 名称	
		PRODUCT SPEC 製品規格 108-5216,5264	070 SERIES MULTI-LOCK CONNECTOR 12POSITION PLUG HOUSING	
		APPLICATION SPEC 取付適用規格 -	SIZE A3	CAGE CODE 00779
		WEIGHT -	DRAWING NO 番号 C-173851	
		CUSTOMER DRAWING	RESTRICTED TO -	SCALE 尺度 2:1
			SHEET 1 OF 1	REV E1

TOLERANCES UNLESS OTHERWISE SPECIFIED: 一般公差

10±	±0.2
30± > 10	±0.25
100± > 30	±0.3
ANGLE	±3°