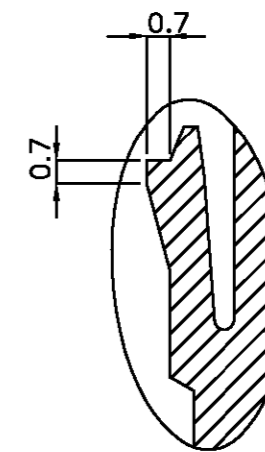
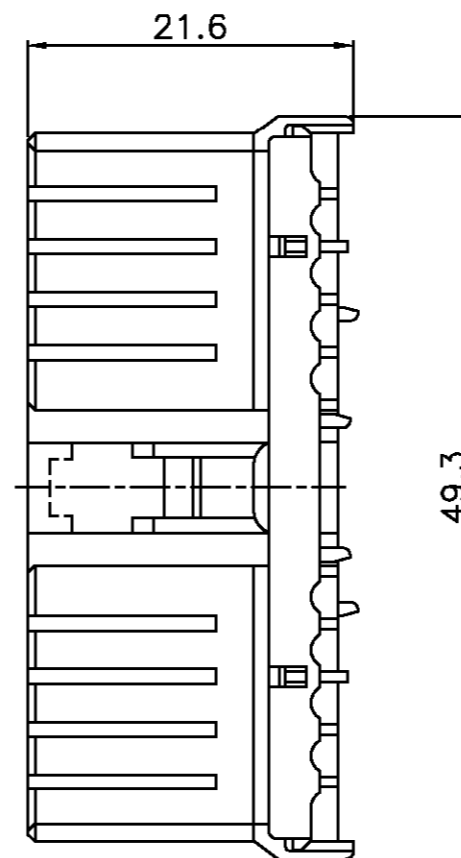
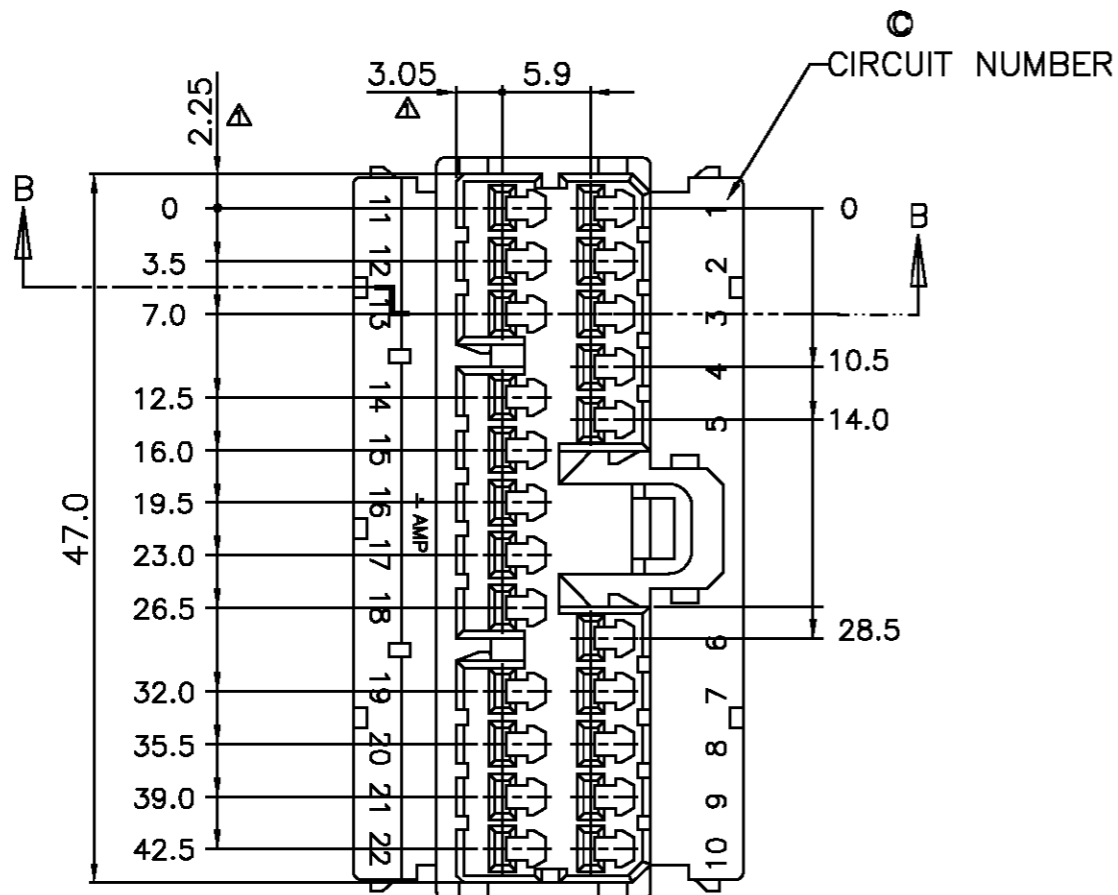


P	LTR	DESCRIPTION	DATE	DWN	APVD
	0	RELEASED(RD96-366)	23/NOV/'96	YJ	JK
	A	REVISED(FC00-0070-01)	23/JUN/'01	MS	CS
	B	REVISED(FC00-0028-03)	21/MAR/'03	MS	CS
	C	REVISED(FC00-0140-04)	01/JUL/'04	JG	CS

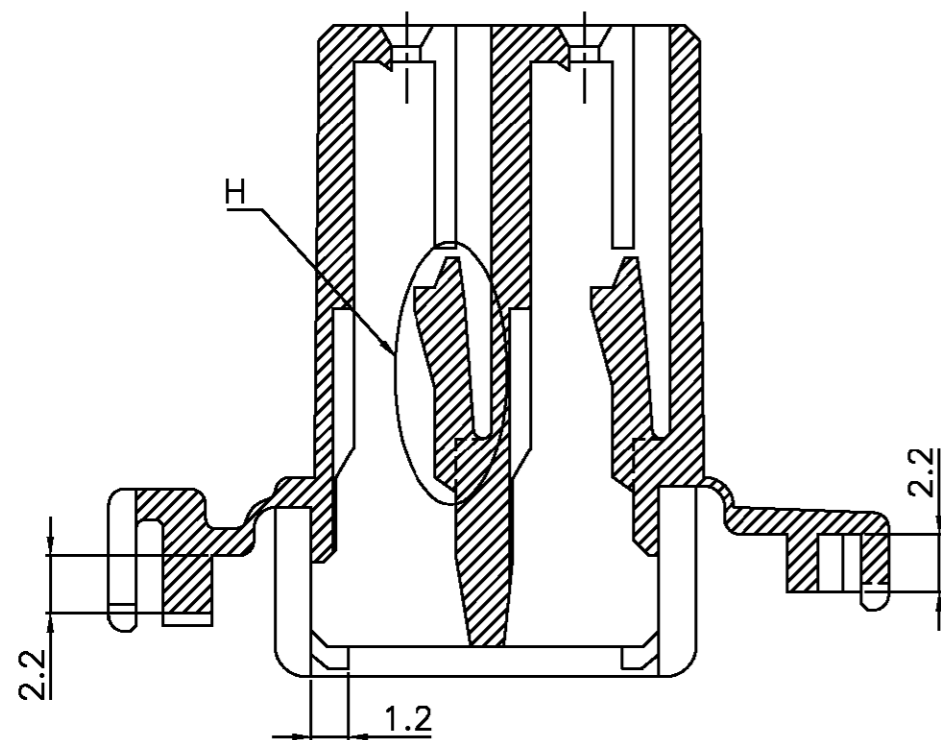


DETAIL H

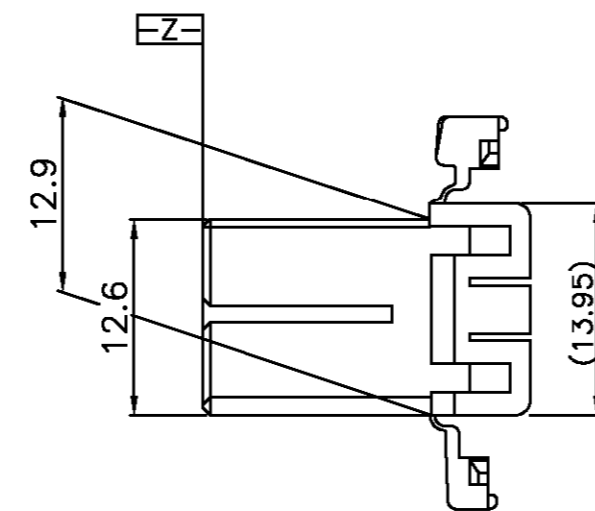
NOTES

- △ TO BE MEASURE BETWEEN [Z] AND 2.
- APPLIED CONTACT P/N: 173630,173631,85098
- TO BE MATED WITH CAP HSG SMOOTHLY
- APPLIED CAP HSG P/N: 85097
- CURRENT RATING: 10A MAX

⊕	P/N	MATERIAL	COLOR
⊕	85096-7	P.B.T	YELLOW
⊕	85096-1	P.B.T	WHITE



SECTION B-B (SCALE:5/1)



<small>THIS DRAWING IS A CONTROLLED DOCUMENT FOR TYCO ELECTRONICS CORPORATION. IT IS SUBJECT TO CHANGE AND THE CONTROLLING ENGINEERING ORGANIZATION SHOULD BE CONTACTED FOR THE LATEST REVISION.</small>		DWN JG MOON				AMP KOREA.			
		CHK BM JANG				kyungsan, korea			
DIMENSIONS: mm		TOLERANCES UNLESS OTHERWISE SPECIFIED:		APVD: CS LEE		NAME			
 3rd ANGLE PROJECTION		0 <XX<10 ± 0.2 10<XX<30 ± 0.25 30<XX ± 0.3 ANGLES ± 3°		PRODUCT SPEC		.070 MLC 22P PLUG HSG.			
				APPLICATION SPEC		RESTRICTED TO			
MATERIAL SEE TABLE		FINISH		WEIGHT		SIZE	CAGE CODE	DRAWING NO	RESTRICTED TO
						A3	00779	C= 8 5 0 9 6	
						SCALE 2/1		SHEET 1 OF 1	REV C