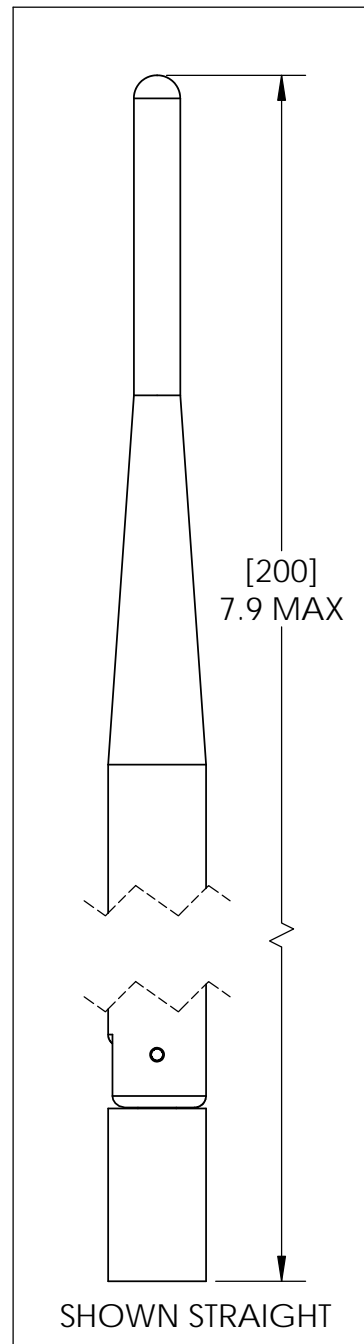
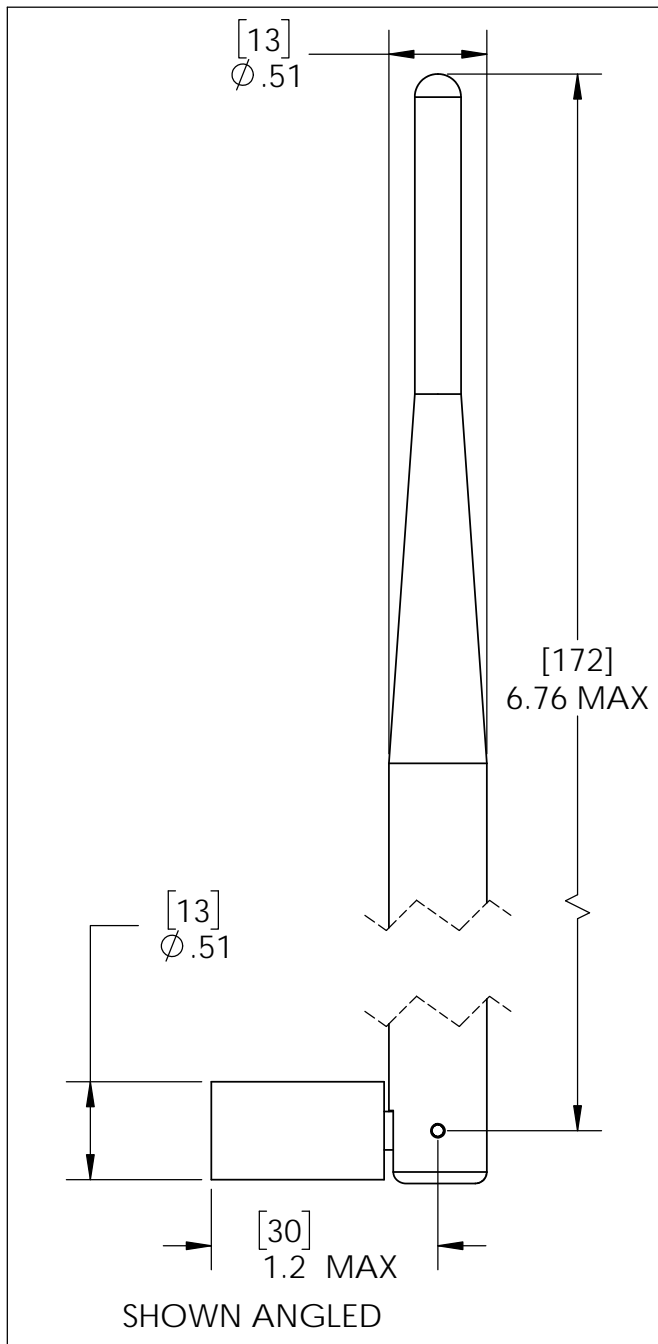


REVISIONS

ZONE	REV.	CHANGE DESCRIPTION	APPROVED	DATE
ALL	A000	CREATE	EMJ	12/1/16



PULSE W1038

<p>THIRD ANGLE PROJECTION</p> <p>UNLESS OTHERWISE SPECIFIED: DIMENSIONS ARE IN INCHES [MM] TOLERANCES: ANGULAR: MACH ±1° BEND ±3° TWO PLACE DECIMAL ±.01 THREE PLACE DECIMAL ±.005</p> <p>PROPRIETARY AND CONFIDENTIAL THE INFORMATION CONTAINED IN THIS DRAWING IS THE SOLE PROPERTY OF SYNAPSE WIRELESS, INC. ANY REPRODUCTION IN PART OR AS A WHOLE WITHOUT THE WRITTEN PERMISSION OF SYNAPSE WIRELESS, INC IS PROHIBITED.</p>	<p>COMMENTS:</p>	SYNAPSE WIRELESS INC. 6723 ODYSSEY DR HUNTSVILLE, AL 35806		
	<p>MATERIAL</p> <p>FINISH</p> <p>DO NOT SCALE DRAWING</p>	<p>TITLE: INDOOR ARTICULATING ANTENNA, 4.9 DBI GAIN, ANT-IAB-4.9-1</p>		
		<p>SIZE</p> <p>A</p>	<p>DWG. NO.</p> <p>120-035071-000</p>	<p>REV</p> <p>A000</p>
		<p>ENGR: EMJ</p>		<p>SHEET 1 OF 1</p>