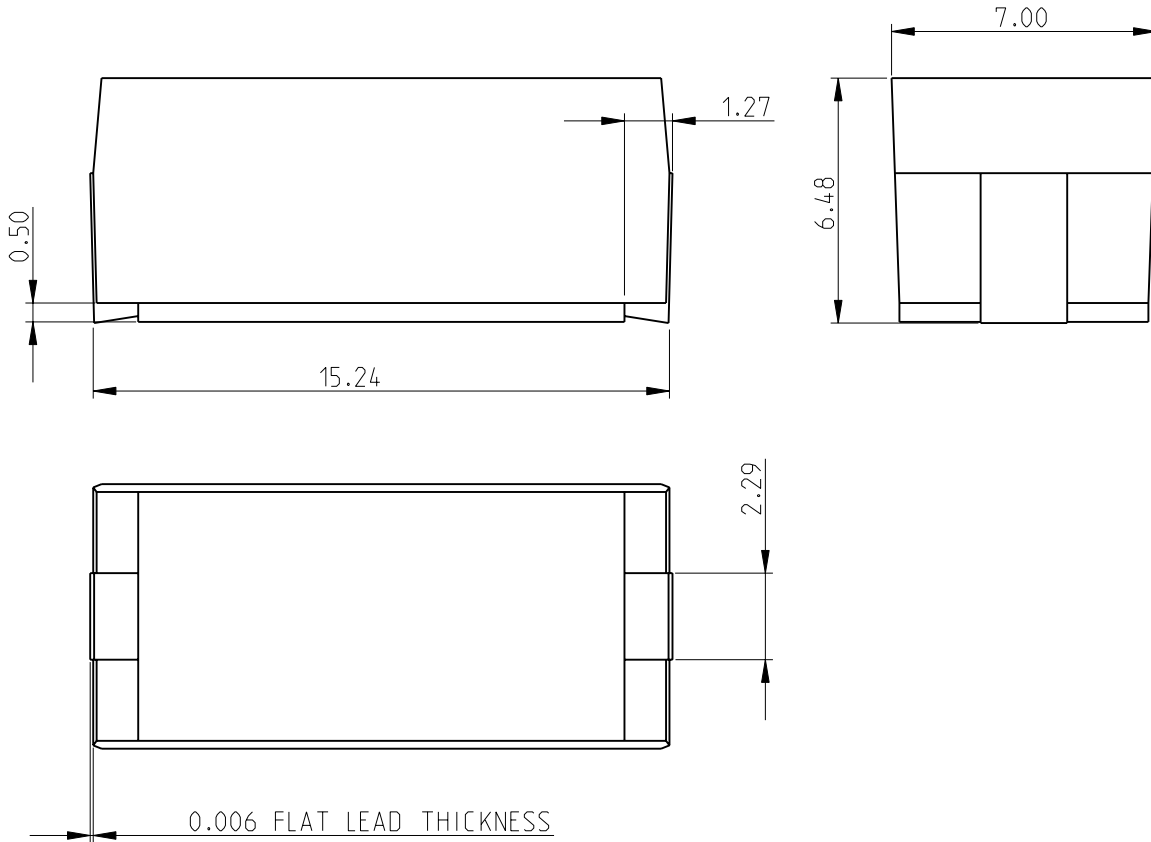
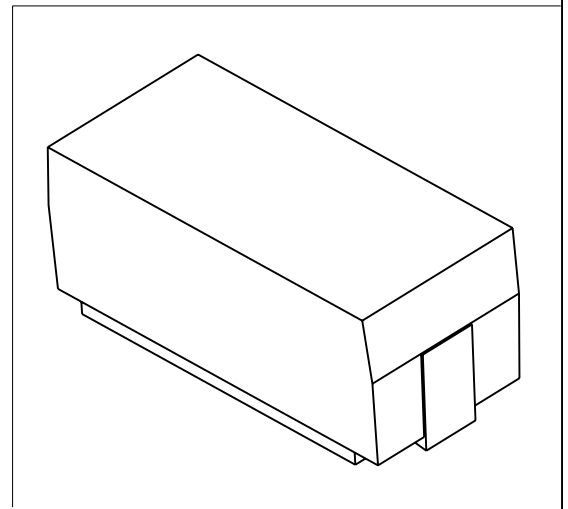
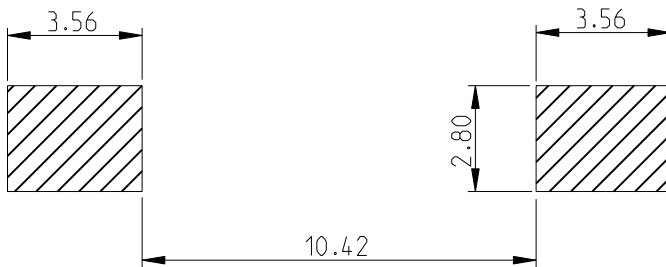


LOC		DIST		REVISIONS			
P	LTR	DESCRIPTION		DATE	DWN	APVD	
E	B	BA	NEW RELEASE	10 JULY 2010	PT	St.P	

FOR FURTHER INFORMATION SEE DATA SHEET FOR
SERIES S - SMD PRECISION CURRENT SENSE RESISTOR



RECOMMENDED LAND PATTERN



2008

RELEASED FOR PUBLICATION

THIS DRAWING IS UNPUBLISHED.

© COPYRIGHT 2008 BY TYCO ELECTRONICS CORPORATION. ALL RIGHTS RESERVED.

DIMENSIONS: mm		DWN PARUSURAM.T 10 JULY 2010	MATERIAL -	FINISH -			
TOLERANCES UNLESS OTHERWISE SPECIFIED:		CHK ALLAN.P 10 JULY 2010	Tyco Electronics Corporation Dorcan, Swindon, SN3 5HH				
0 PLC ±0.2 1 PLC ±0.1 2 PLC ± 3 PLC ± 4 PLC ± ANGLES ±5°		APVD STEPHEN.P 10 JULY 2010					
		PRODUCT SPEC -	NAME SMD PRECISION CURRENT SENSE RESISTOR SERIES SL3				
		APPLICATION SPEC -	SIZE A 4	CAGE CODE 00779	DRAWING NO C-1624269	RESTRICTED TO -	
		WEIGHT -	CUSTOMER DRAWING		SCALE 5:1	SHEET 1 OF 1	REV BA