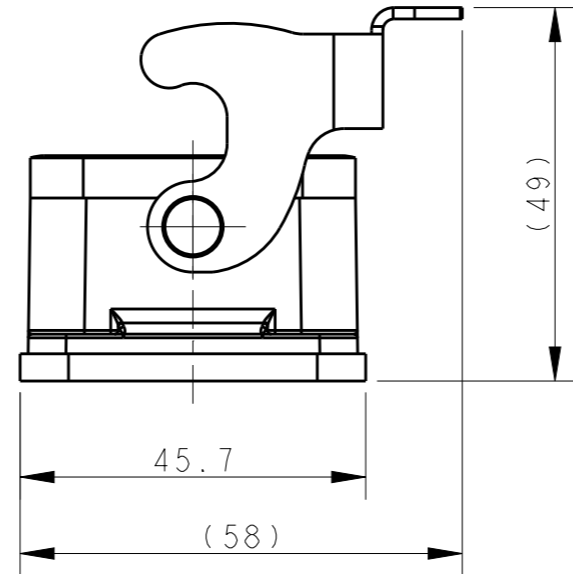
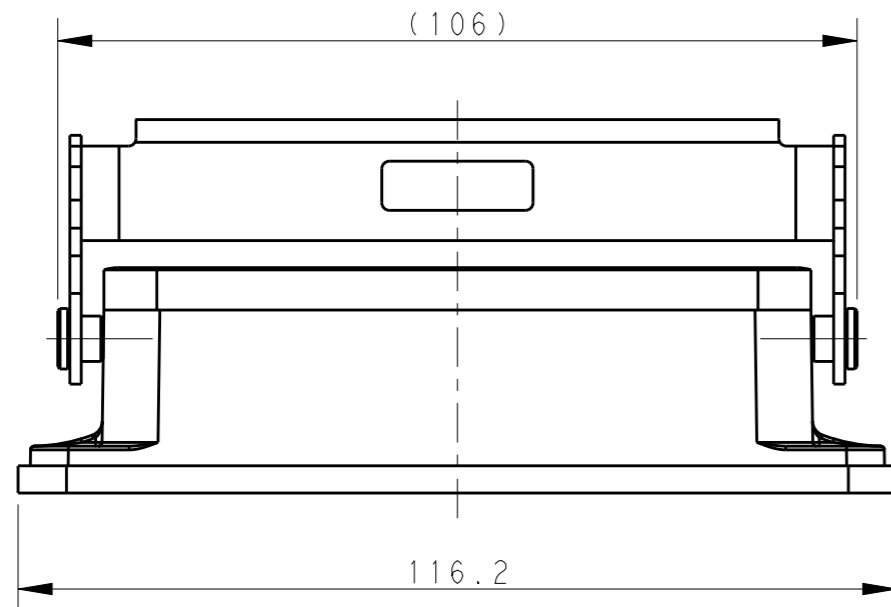


THIS DRAWING IS UNPUBLISHED. RELEASED FOR PUBLICATION 20
© COPYRIGHT 20 BY - ALL RIGHTS RESERVED.

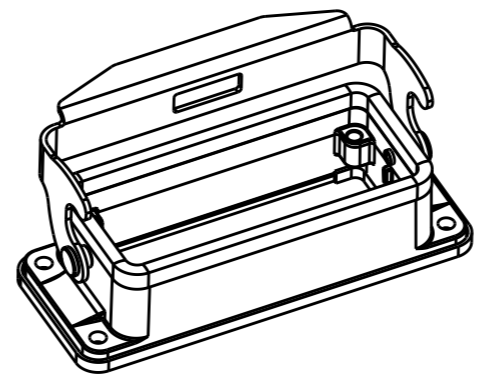
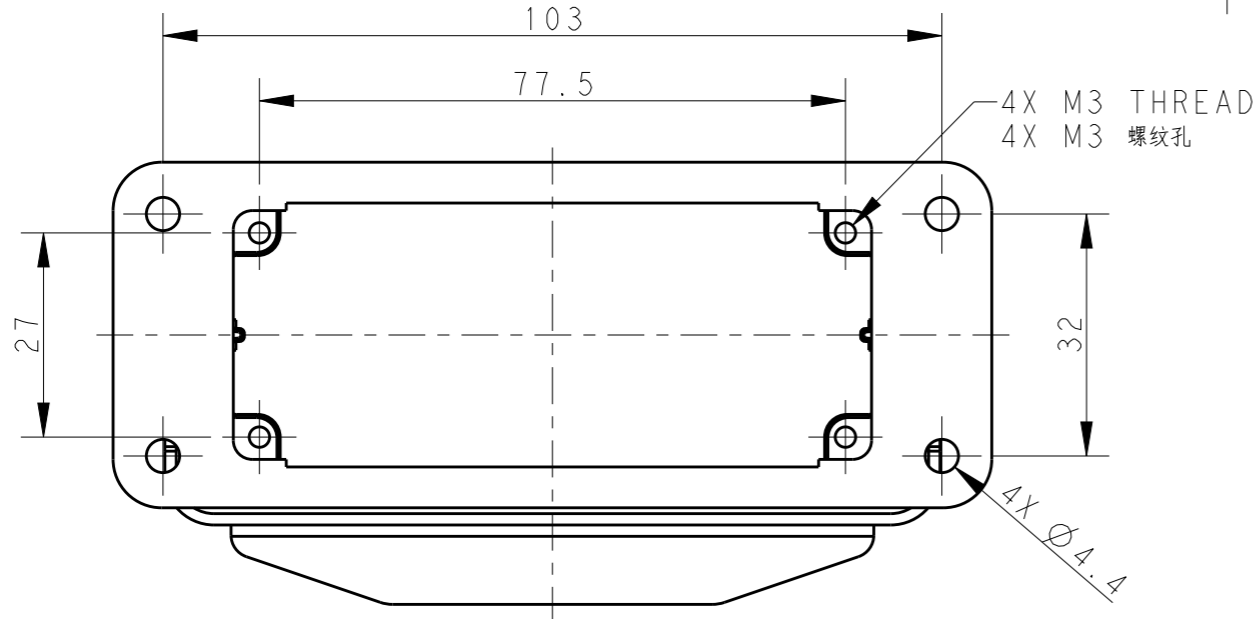
REVISIONS

P	LTR	DESCRIPTION	DATE	DWN	APVD
	A	INITIAL	28MAR2016	DW	CW



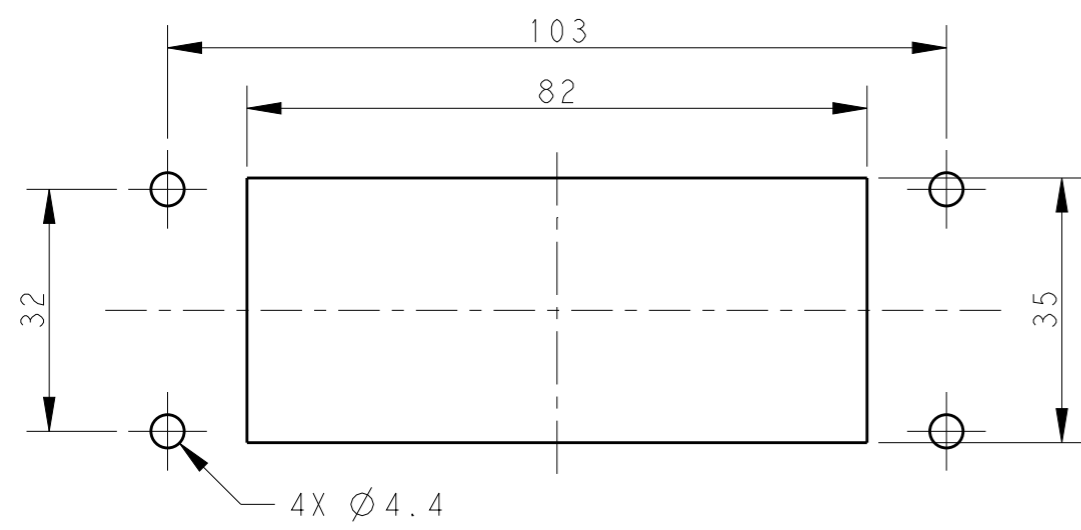
NOTES:
 1. TECHNICAL CHARACTERISTICS:
 HOUSING MATERIAL: DIE CAST ALUMINIUM ALLOY
 SURFACE: POWDER COATED, GREY
 DEGREE OF PROTECTION: IP65 (MATED)

注释:
 1. 技术参数:
 下壳材料: 铝合金
 表面处理: 灰色粉末喷涂
 防护等级: IP65(配合)



SCALE 1:2


PANEL CUT OUT



T1500162000-000	H16B-AGS-LB	H16B HOUSING, BULKHEAD MOUNTED, STAINLESS STEEL SINGLE LOCKING POWDER COATED, GREY H16BT壳, 开孔安装, 不锈钢单扣, 灰色粉末喷涂
PART NUMBER 零件料号	PART DESCRIPTION 零件描述	

THIS DRAWING IS A CONTROLLED DOCUMENT.

DIMENSIONS: mm	TOLERANCES UNLESS OTHERWISE SPECIFIED: 0 PLC ±- 1 PLC ±- 2 PLC ±- 3 PLC ±- 4 PLC ±- ANGLES ±-
MATERIAL -	FINISH -

DWN DAVID WANG 28MAR2016	 TE Connectivity NAME H16B-AGS-LB
CHK CHRIS WANG 28MAR2016	
APVD XIANG XU 28MAR2016	
PRODUCT SPEC 108-137013	
APPLICATION SPEC 114-137013	SIZE A3
WEIGHT -	CAGE CODE 00779
Customer Drawing	DRAWING NO T1500162000000
	RESTRICTED TO -
	SCALE 1:1
	SHEET 1 OF 1
	REV A